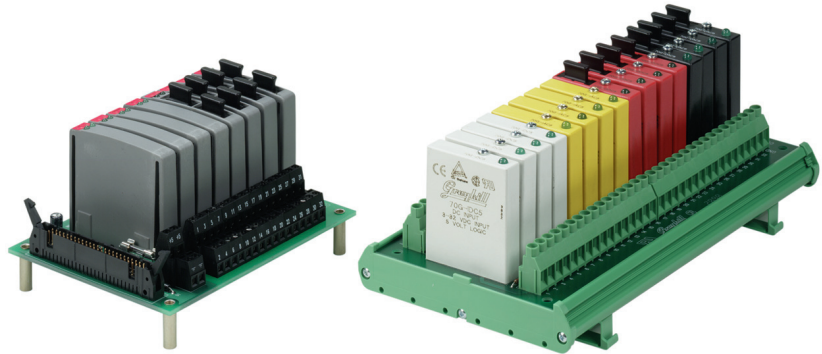


# RACKS

## 16 Channel

### FEATURES

- For use with System 50 Style Controllers
- Available for Standard, Miniature, G5 and OpenLine® Modules
- Panel and DIN Rail Mount Versions
- UL, CSA Certified

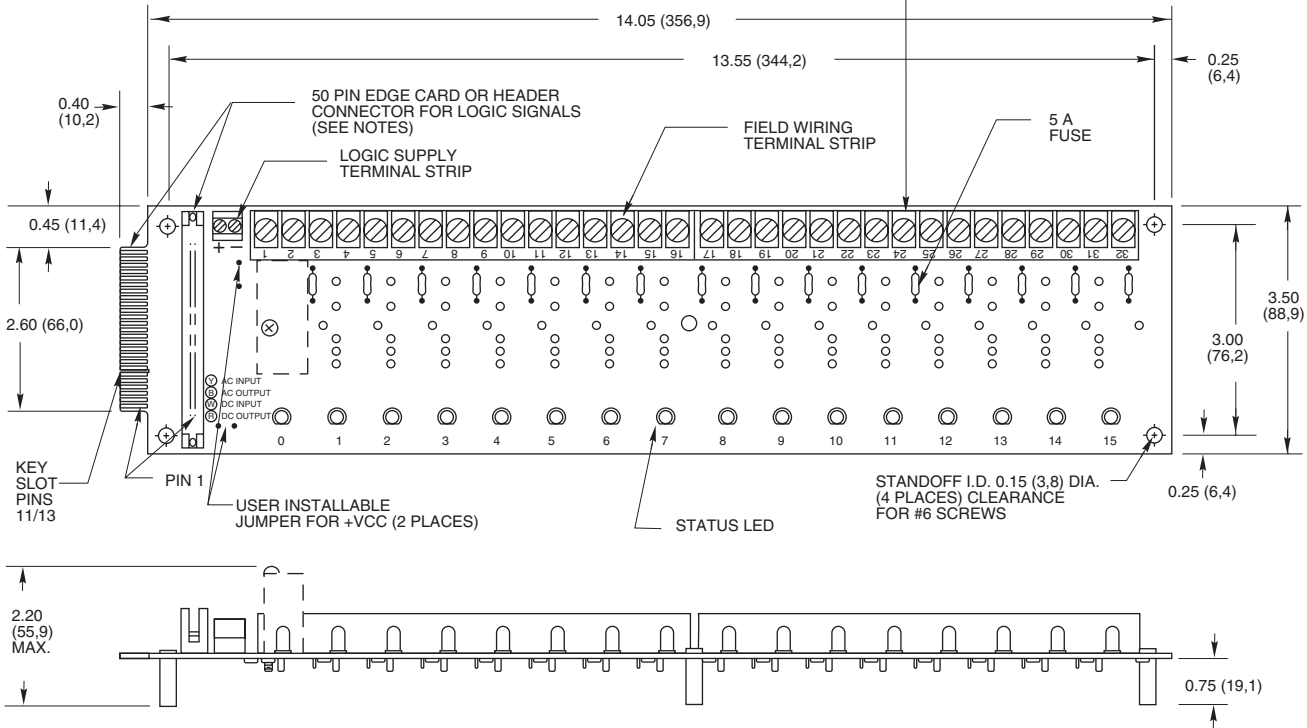


### 16 CHANNEL RACK: Standard

**Part No. 70RCK16**

Dimensions are shown in inches (and millimeters).  
All tolerances are  $\pm 0.010$  (0,25) unless otherwise specified.

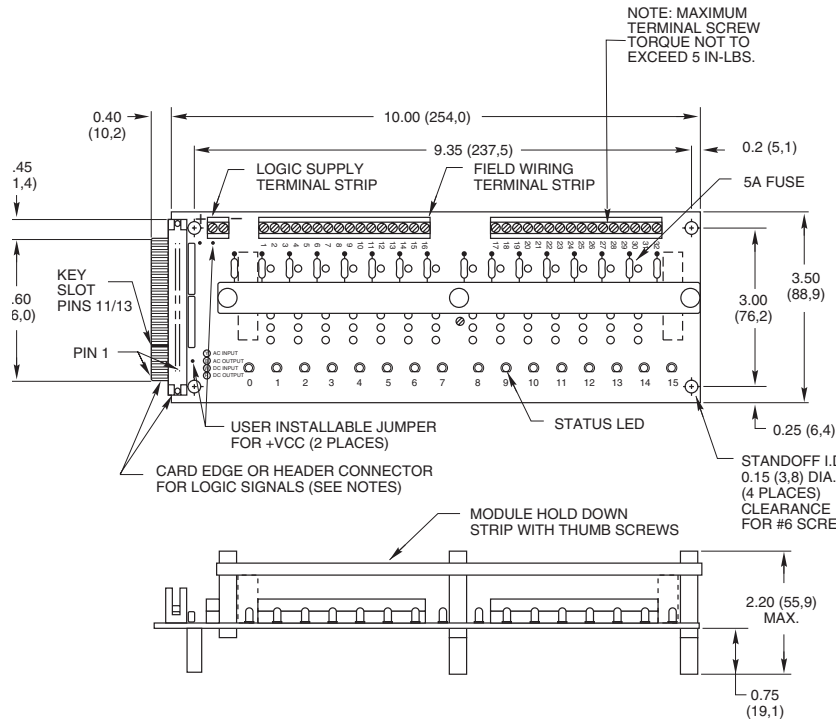
NOTE: MAXIMUM TERMINAL SCREW TORQUE NOT TO EXCEED 5 IN-LBS.



### 16 CHANNEL RACK: Miniature

**Part No. 70MRCK16**

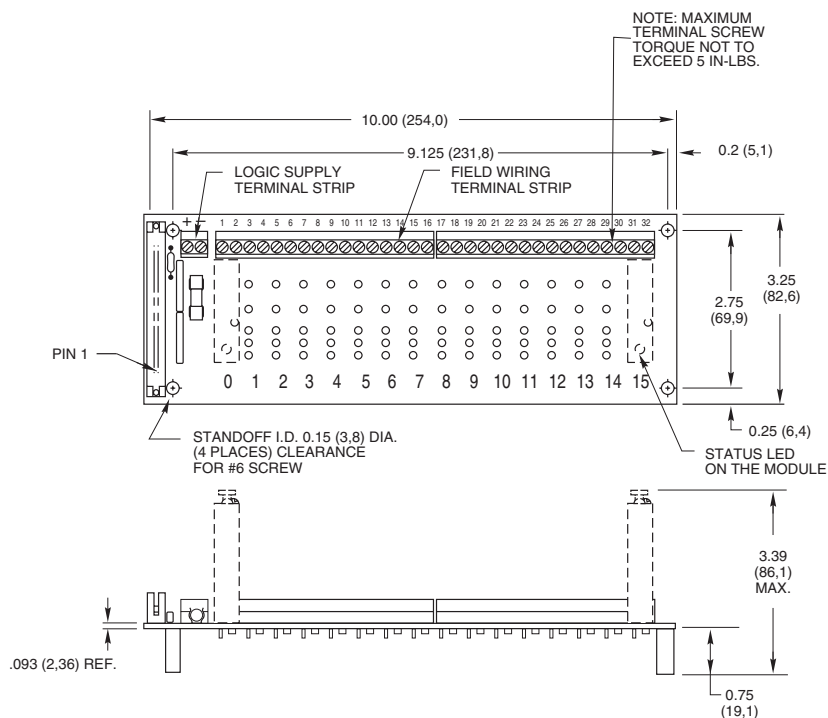
Dimensions are shown in inches (and millimeters).  
All tolerances are  $\pm 0.010$  (0,25) unless otherwise specified.



### 16 CHANNEL RACK: G5

**Part No. 70GRCK16**

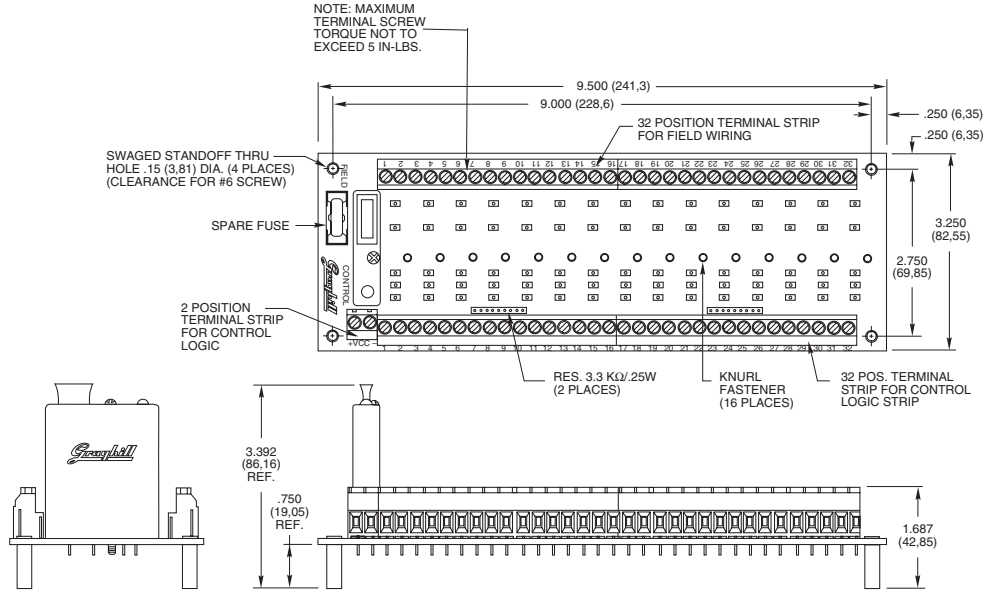
Dimensions are shown in inches (and millimeters).  
All tolerances are  $\pm 0.010$  (0,25) unless otherwise specified.



System 50

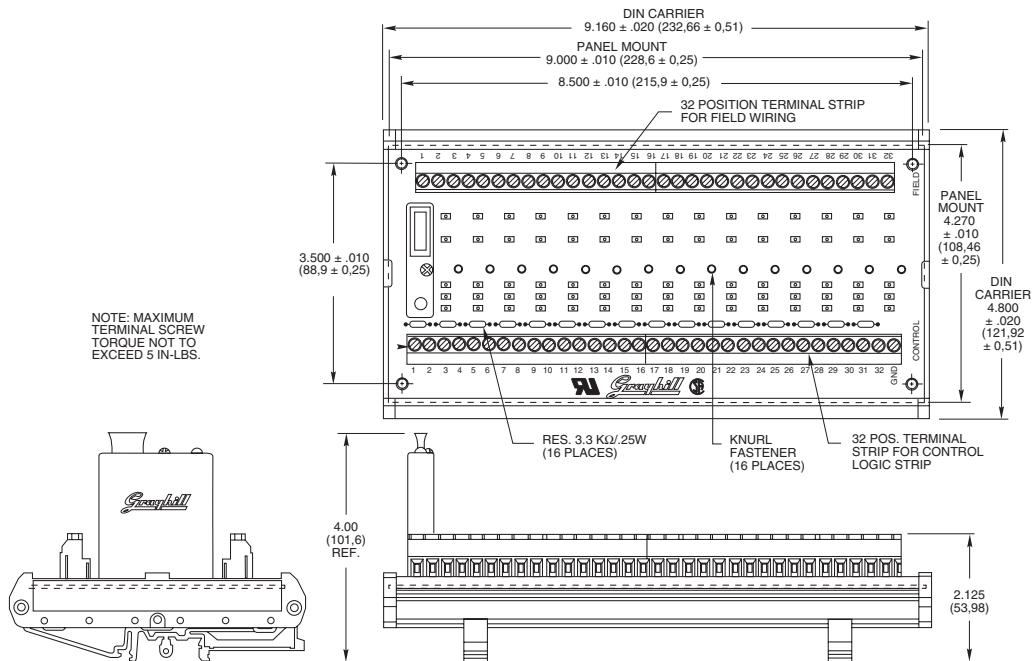
### 16 CHANNEL RACK: G5 Control and Field Connection Terminal Blocks

**Part No. 70GRCK16T**  
 Dimensions are shown in inches  
 (and millimeters).  
 All tolerances are  $\pm 0.010$  (0,25)  
 unless otherwise specified.



### 16 CHANNEL RACK: G5 Channel-to-Channel Isolation

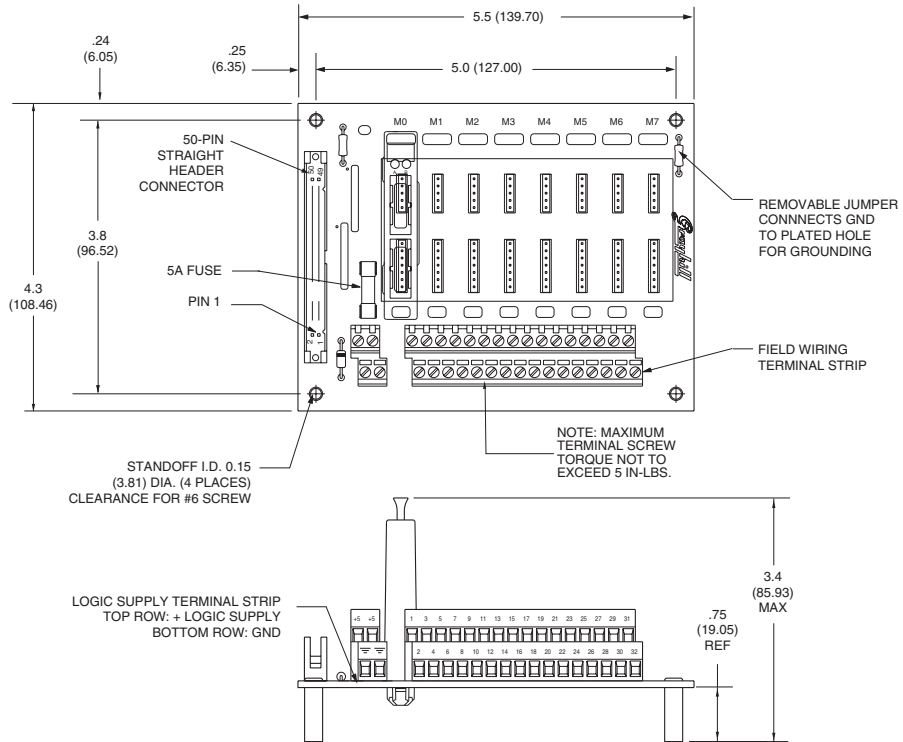
**Part No. 70GRCK16I and 70GRCK16I-DIN**  
 Dimensions are shown in inches  
 (and millimeters).  
 All tolerances are  $\pm 0.010$  (0,25)  
 unless otherwise specified.



### 16 CHANNEL RACK: OpenLine® for System 50

**Part No. 70LRCK16-HL**

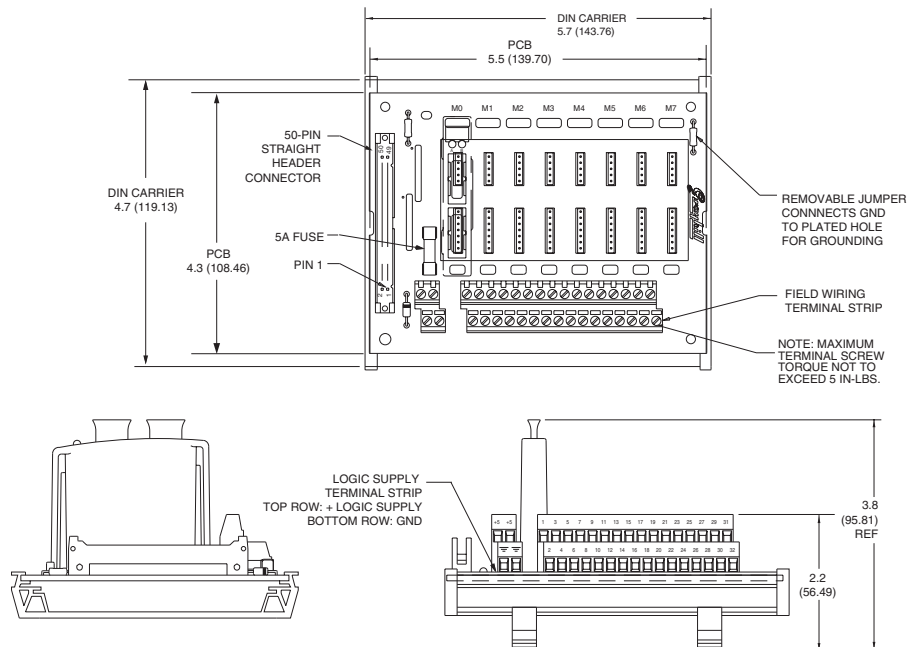
Dimensions are shown in inches (and millimeters).  
All tolerances are ± 0.010 (0,25) unless otherwise specified.



### 16 CHANNEL RACK: OpenLine® w/ DIN Rail Mount for System 50

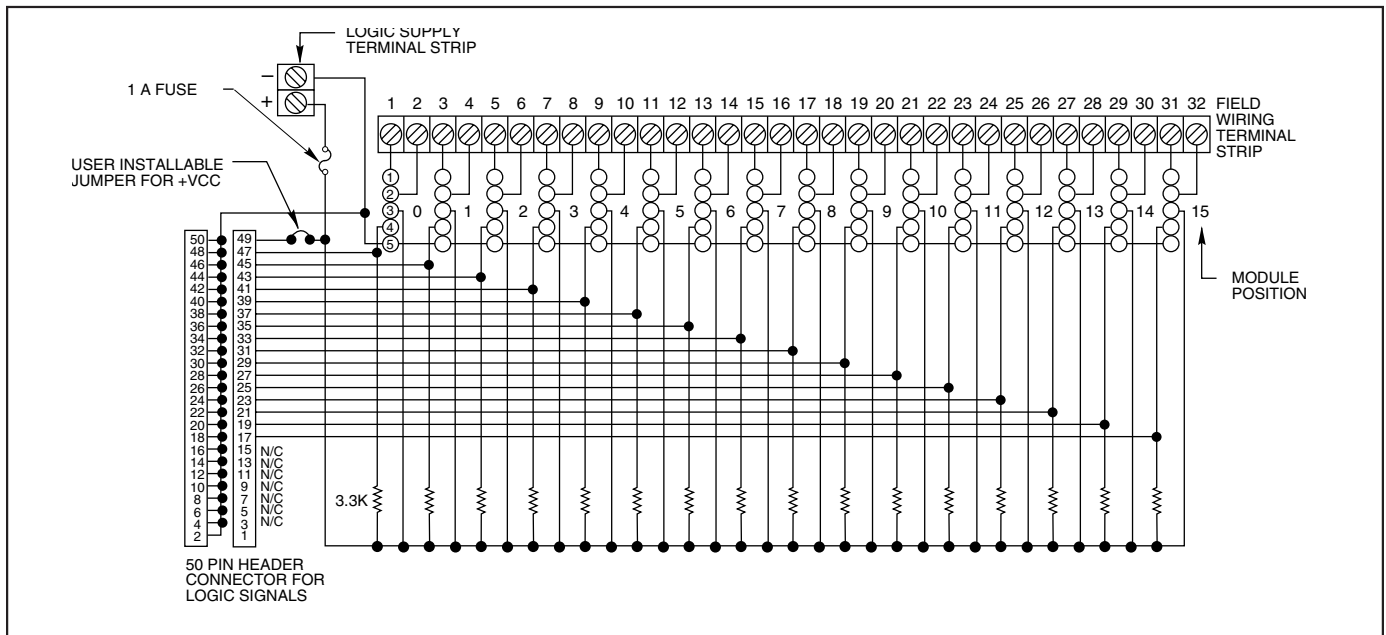
**Part No. 70LRCK16-DIN**

Dimensions are shown in inches (and millimeters).  
All tolerances are ± 0.010 (0,25) unless otherwise specified.

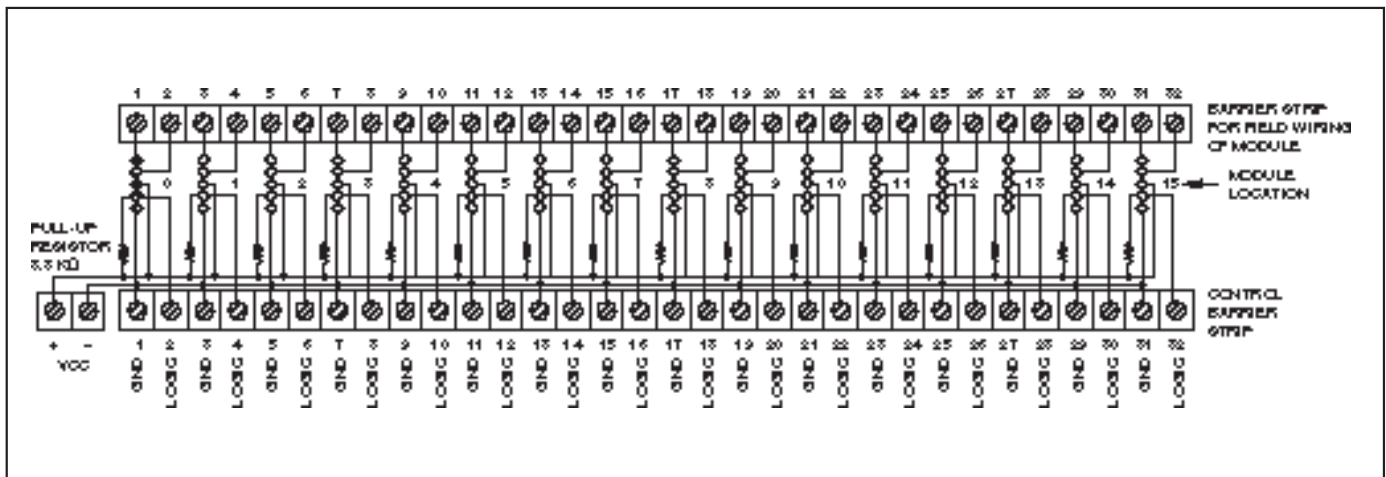


System 50

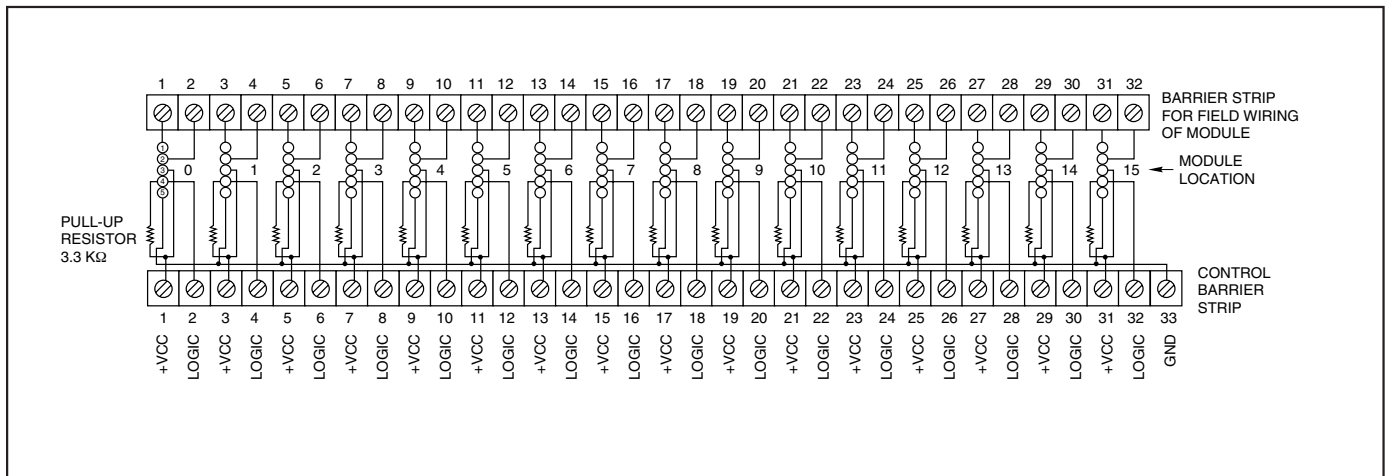
**SCHEMATIC: Part No. 70GRCK16**



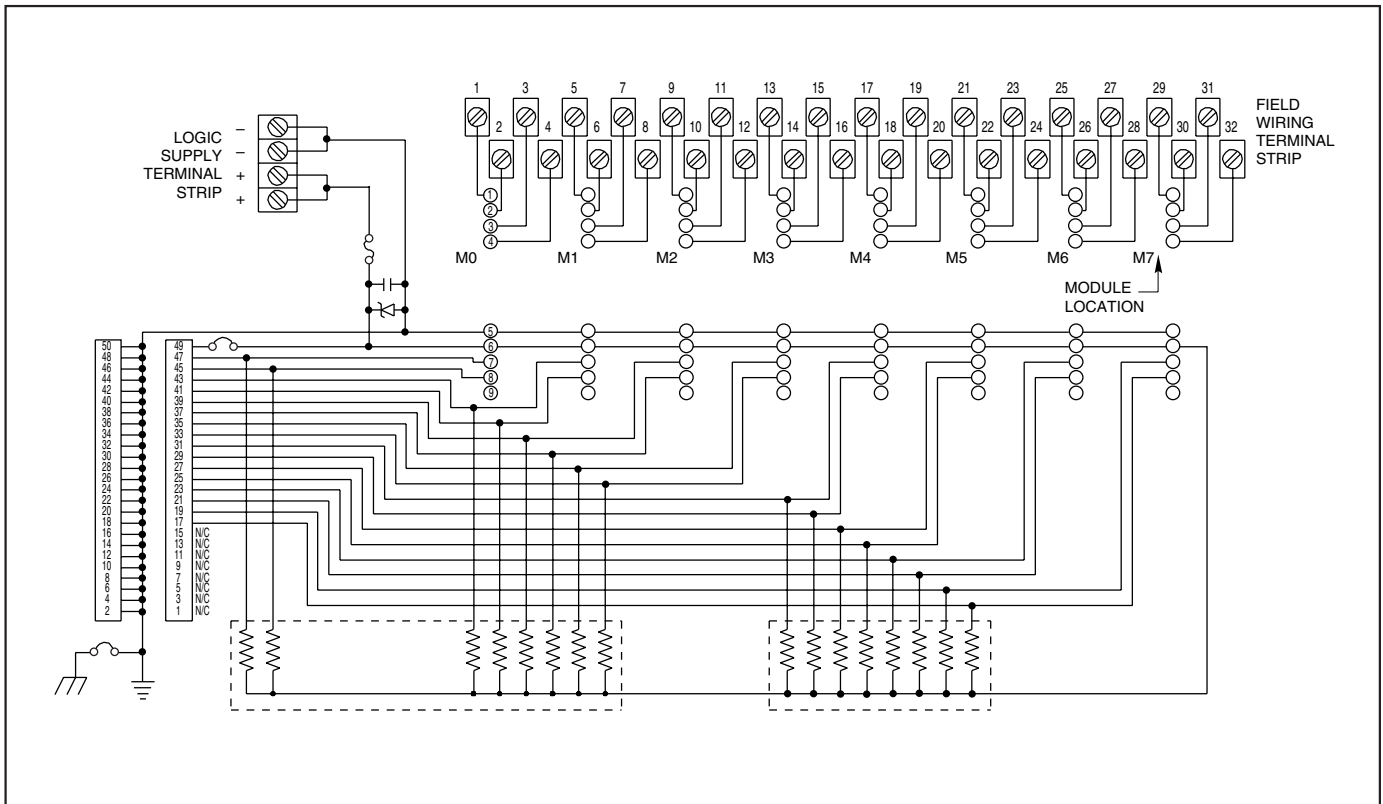
**SCHEMATIC: Part No. 70GRCK16T**



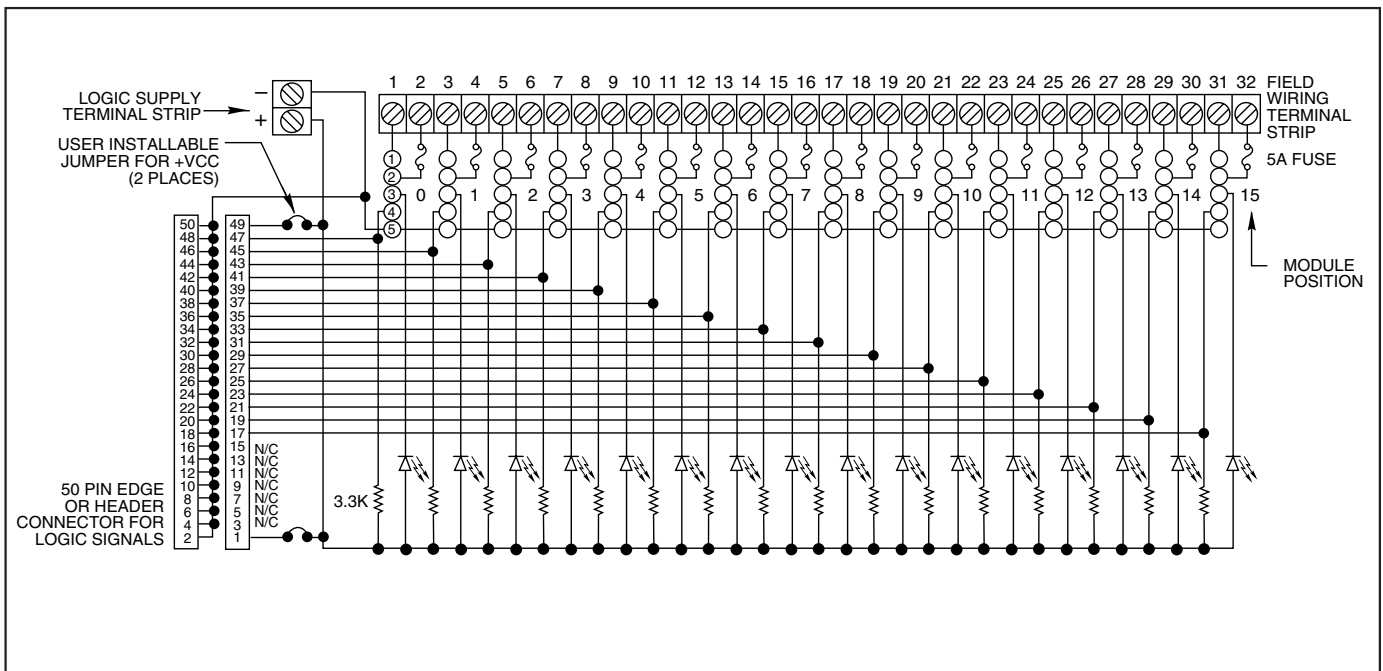
**SCHEMATIC: Part Nos. 70GRCK16I AND 70GRCK16I-DIN**



**SCHEMATIC: Part No. 70LRCK16-HL, -DIN**



**SCHEMATIC: Part Nos. 70RCK16 and 70MRCK16**



System 50

**ORDERING INFORMATION** (modules ordered separately)

Part Number	I/O	Description	UL	CSA	Style
70RCK16	16	Card edge	X	X	Standard
70RCK16-HL	16	50-pin header with ejector levers	X	X	Standard
70MRCK16-EC	16	Card edge	X	X	Mini
70MRCK16-HL	16	50-pin header with ejector levers	X	X	Mini
70GRCK16-HL	16	50-pin header with ejector levers	X	X	G5
70LRCK16-HL	16	50-pin header with ejector levers	X	X	OpenLine®
70LRCK16-DIN	16	50-pin header with DIN rail mnt.	X	X	OpenLine®
70GRCK16I	16	Positive or negative true logic* –Panel Mount	X	X	G5
70GRCK16I-DIN	16	Positive or negative true logic* –DIN rail mount	X	X	G5
70GRCK16T	16	Negative true logic*–Panel Mount	X	X	G5

**Available from your local Grayhill Distributor.** For prices and discounts, contact a local Sales Office, an authorized local Distributor, or Grayhill.

\* Positive true logic applies to output modules only.