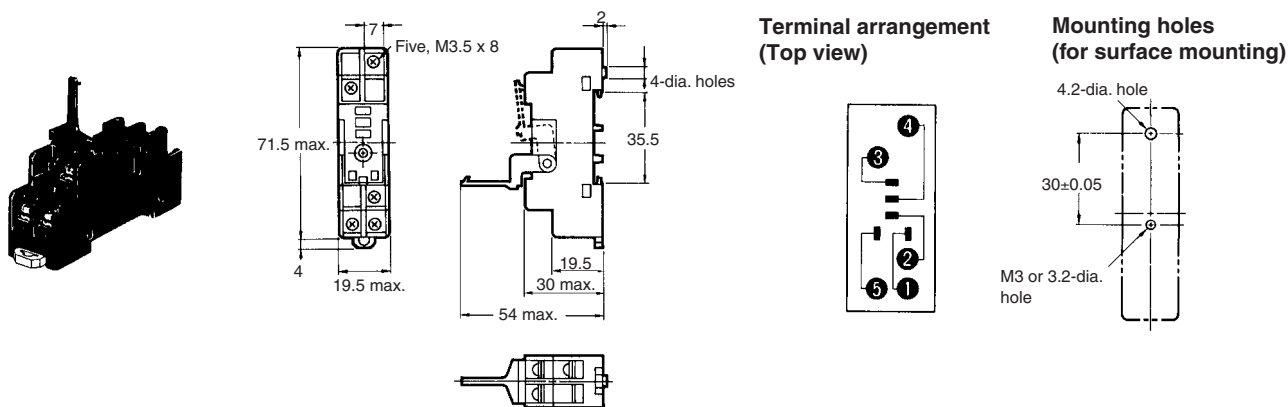
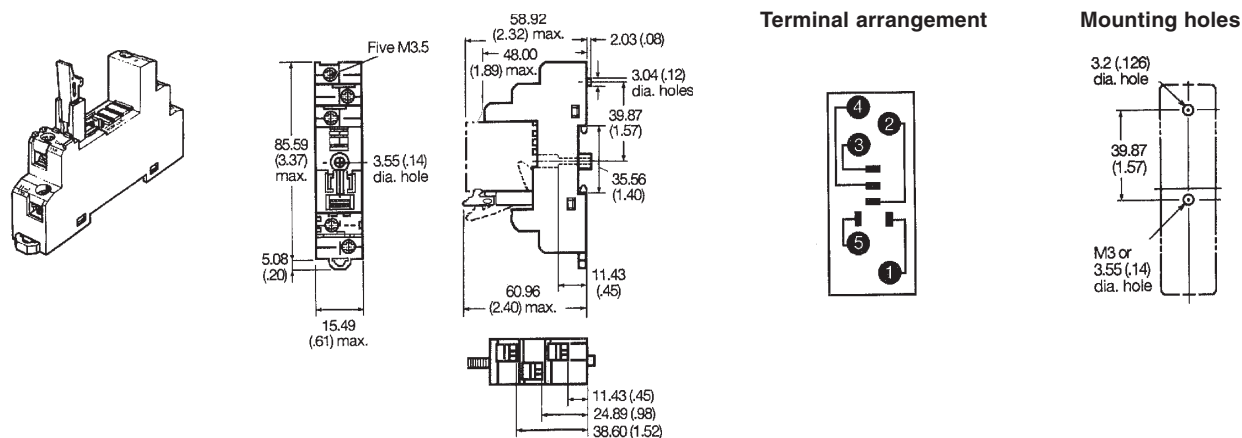


## Accessories

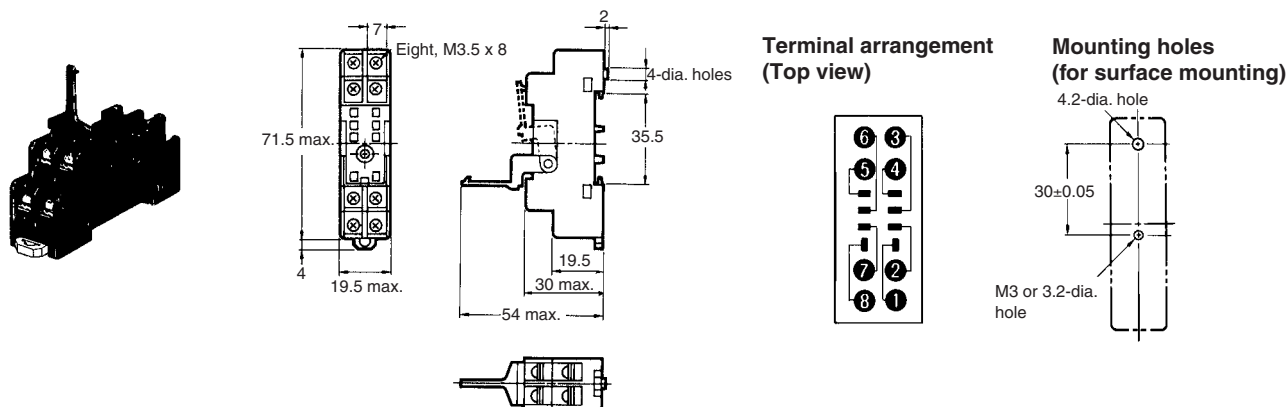
### Track mounted socket P2RF-05 (UL E87929/CSA LR31928)



### Track mounted socket P2RF-05-E (UL E87929/CSA LR31928)

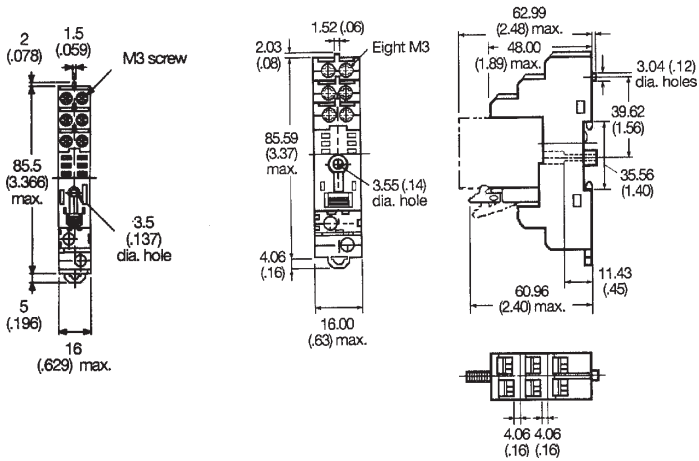


### Track mounted socket P2RF-08 (UL E87929/CSA LR31928)

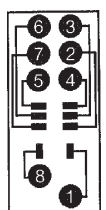


- Note:** 1. and indicate mounting orientation marks.  
2. A tolerance of ±0.10 (0.004) applies to the above dimensions.

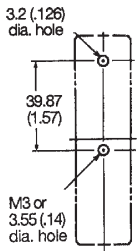
**Track mounted socket**  
**P2RF-08-E (UL E87929/CSA LR31928)**


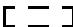


**Terminal arrangement**

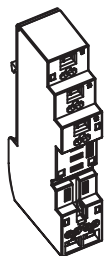


**Mounting holes**

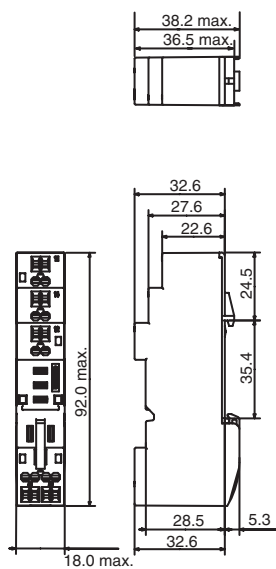


- Note:** 1.  and  indicate mounting orientation marks.  
2. A tolerance of  $\pm 0.10$  (0.004) applies to the above dimensions.

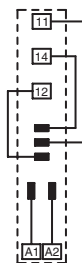
**Screwless Clamp Terminal Socket  
P2RF-05-S (UL E8729/CSA LR31928)**



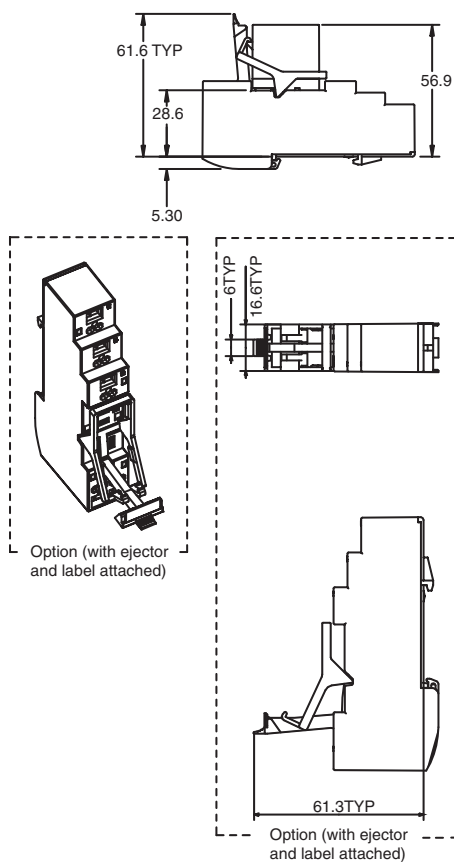
Standard Model



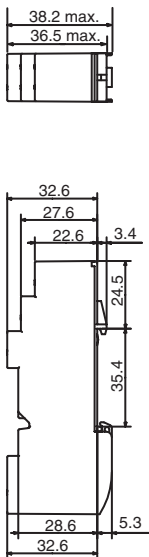
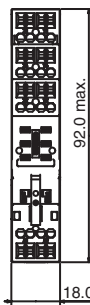
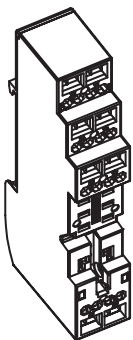
**Terminal Arrangement**



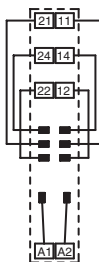
**Mounting Height (with lever)**



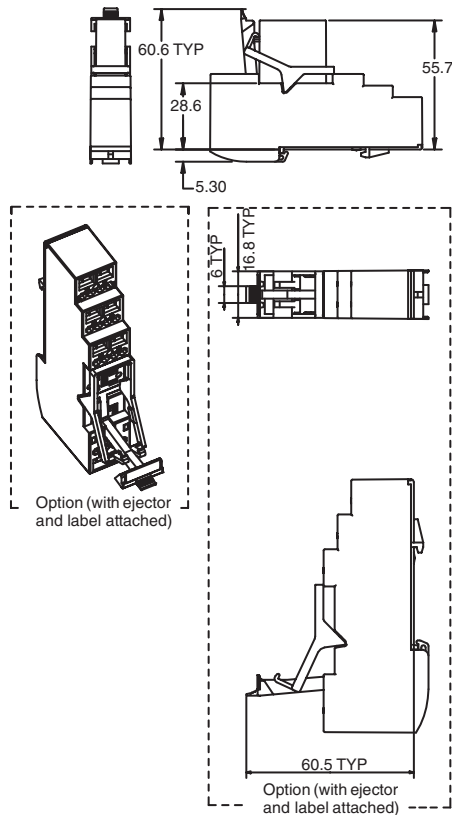
**Screwless Clamp Terminal Socket  
P2RF-08-S (UL E8729/CSA LR31928)**



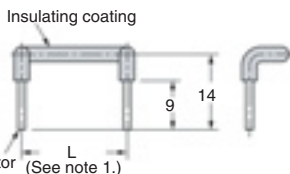
**Terminal Arrangement**



**Mounting Height (with lever)**



**Socket**



**Note: 1.** The relationship between the model, the length L, and the color of the insulating coating is shown in the following table.

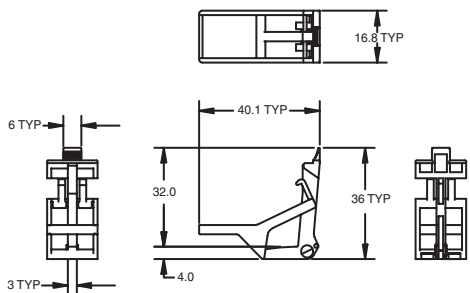
Model	Length (L) mm	Color of insulating coating
P2RM-SR	14.3	Red
P2RM-SB		Blue

- 2. The insulating coating must be able to withstand a voltage of 3,000 V for 1 minute. Use either PE or PA as the material of the insulating coating.
- 3. The positions of the ends of the insulating coating must not vary more than 0.5 mm.

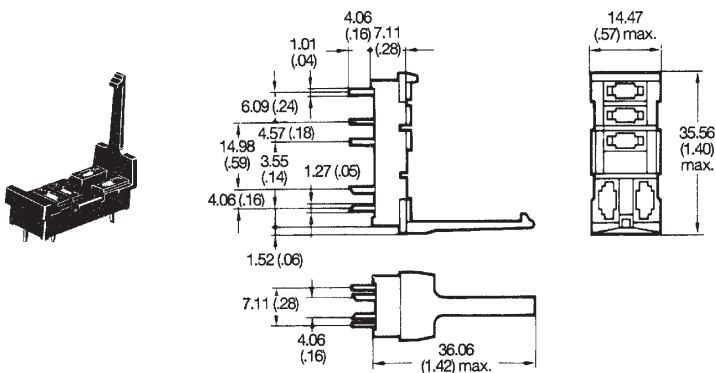
**4.** The characteristics of the socket bridge are shown in the following table.

Item	Characteristic
Rated ON current	10 A
Rated insulation voltage	250 VAC
Temperature rise	35°C max.
Dielectric strength	3,000 VAC for 1 minute
Ambient operating temperature	-55 to 70°C

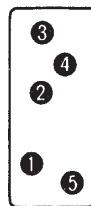
**Clip and Release Lever**



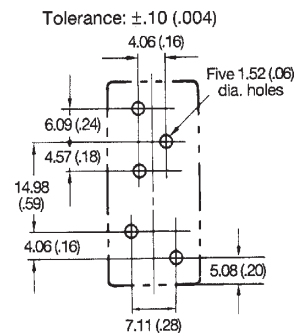
**Back connecting socket  
P2R-05P (1-pole) (UL E87929/CSA LR31928)**



**Terminal arrangement**

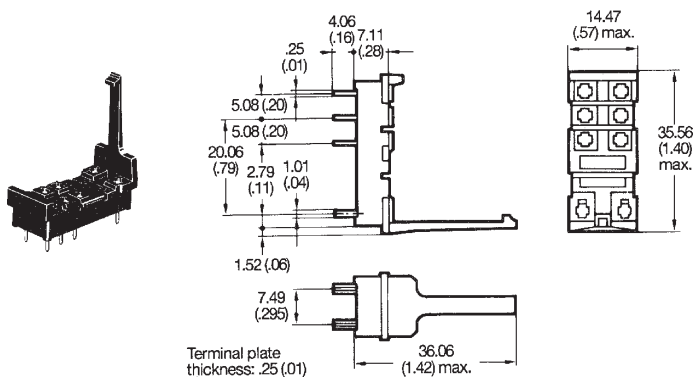


**Mounting holes**



- Note: 1.** and indicate mounting orientation marks.
- 2. A tolerance of ±0.10 (0.004) applies to the above dimensions.

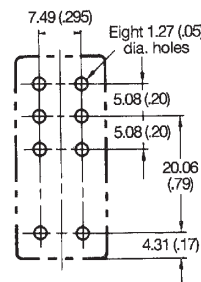
**Back connecting socket  
P2R-08P (2-pole) (UL E87929/CSA LR31928)**



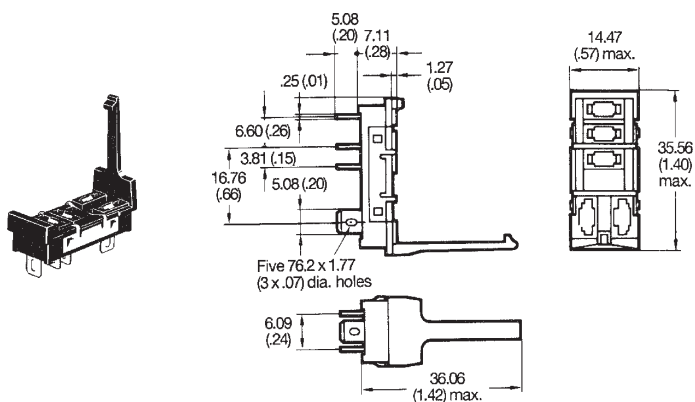
**Terminal arrangement**



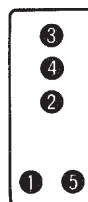
**Mounting holes**



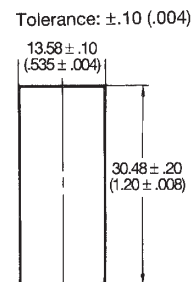
**Back connecting socket  
P2R-05A (1-pole) (UL E87929/CSA LR31928)**



**Terminal arrangement**

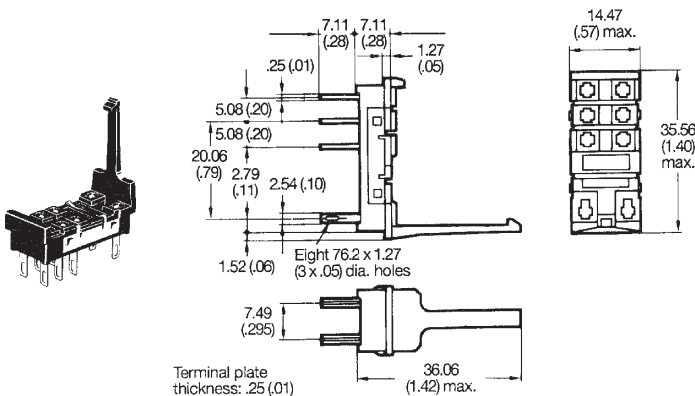


**Mounting holes  
(Bottom view)**

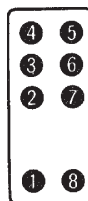


Recommended thickness of the panel is 1.52 (.06) to 2.03 (.08)

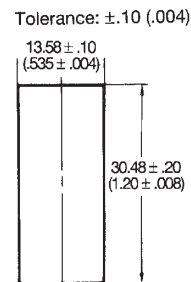
**Back connecting socket  
P2R-08A (2-pole) (UL E87929/CSA LR31928)**



**Terminal arrangement**



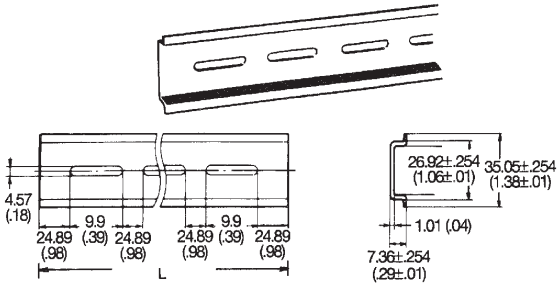
**Mounting holes  
(Bottom view)**



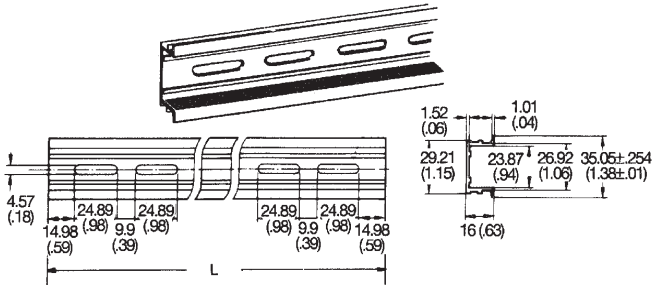
Recommended thickness of the panel is 1.52 (.06) to 2.03 (.08)

**Note:** 1. and indicate mounting orientation marks.  
2. A tolerance of  $\pm 0.10$  (0.004) applies to the above dimensions.

**Mounting track  
PFP-100N, PFP-50N**

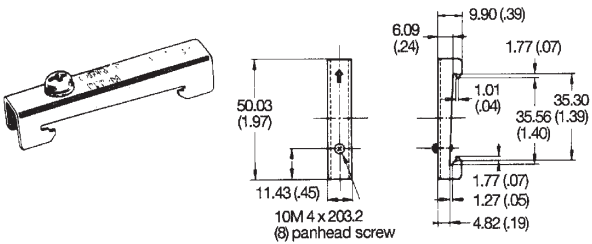


**Mounting track  
PFP-100N2**

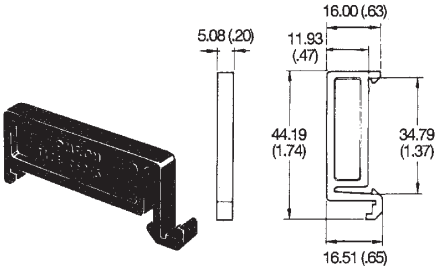


- Note: 1. It is recommended that a panel thickness of 0.06 to 0.08 mm (0.002 to 0.003 in) be used.  
 2. L = Length  
 PFP-100N ..... L = 990.60 mm (39.00 in)  
 PFP-50N ..... L = 497.84 mm (19.60 in)  
 PFP-100N2 ..... L = 990.60 mm (39.00 in)

**End plate  
PFP-M**



**Spacer  
PFP-S**



**Connecting socket mounting plate  
P2R-P**

