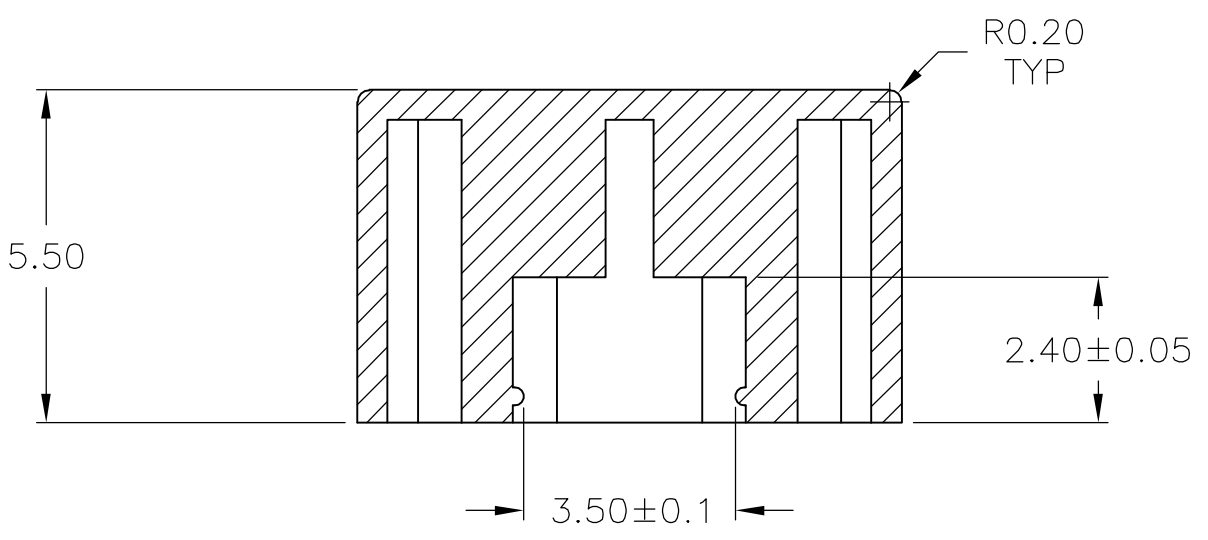
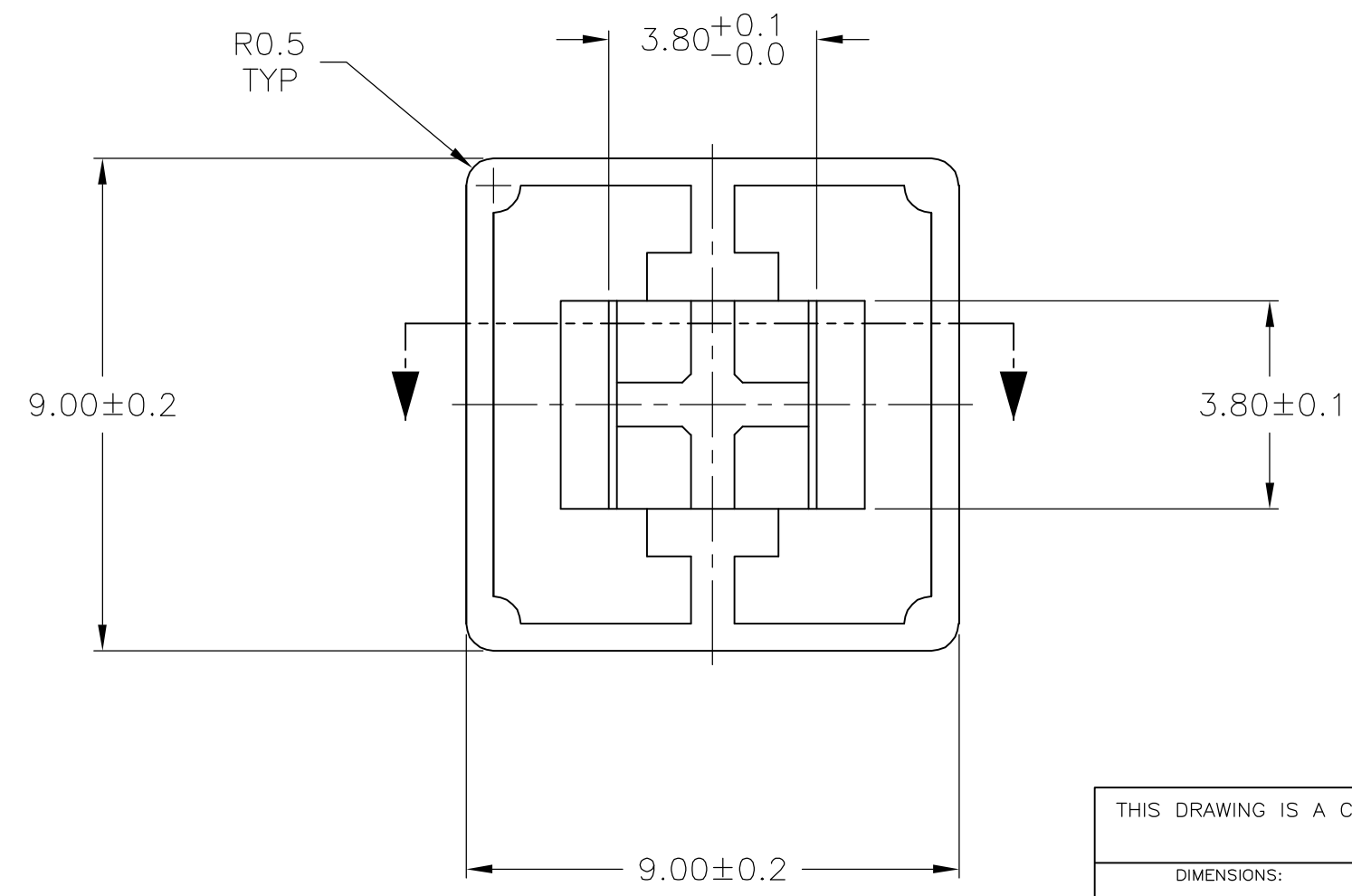


THIS DRAWING IS UNPUBLISHED. RELEASED FOR PUBLICATION
 © COPYRIGHT BY TYCO ELECTRONICS CORPORATION. ALL RIGHTS RESERVED.

LOC	DIST	REVISIONS			
P	LTR	DESCRIPTION	DATE	DWN	APVD
AD	00	F1	REVISED PER ECO-05-009145	31MAY06	SSK MS



1. KEYCAP MUST WITHSTAND WAVE SOLDER PREHEAT TEMPERATURES OF 180°F.



RED	1571384-6
VIOLET	1571384-5
BLACK	1571384-4
BLUE	1571384-3
ORANGE	1571384-2
GREEN	1571384-1
COLOR	PART NUMBER

THIS DRAWING IS A CONTROLLED DOCUMENT.		DWN R BROWN 29SEP03	Tyco Electronics Corporation Harrisburg, PA	
DIMENSIONS: MM		CHK M SARVER 29SEP03		
TOLERANCES UNLESS OTHERWISE SPECIFIED:		APVD M SARVER 29SEP03	NAME	
0 PLC ± - 1 PLC ± - 2 PLC ± 0.30 3 PLC ± - 4 PLC ± - ANGLES ± -		PRODUCT SPEC	KEY CAP	
MATERIAL ABS		FINISH -	APPLICATION SPEC	RESTRICTED TO
		WEIGHT -	SIZE A3	CAGE CODE 00779
		CUSTOMER DRAWING	DRAWING NO C-1571384	REV F1
			SCALE 8:1	SHEET 1 OF 1