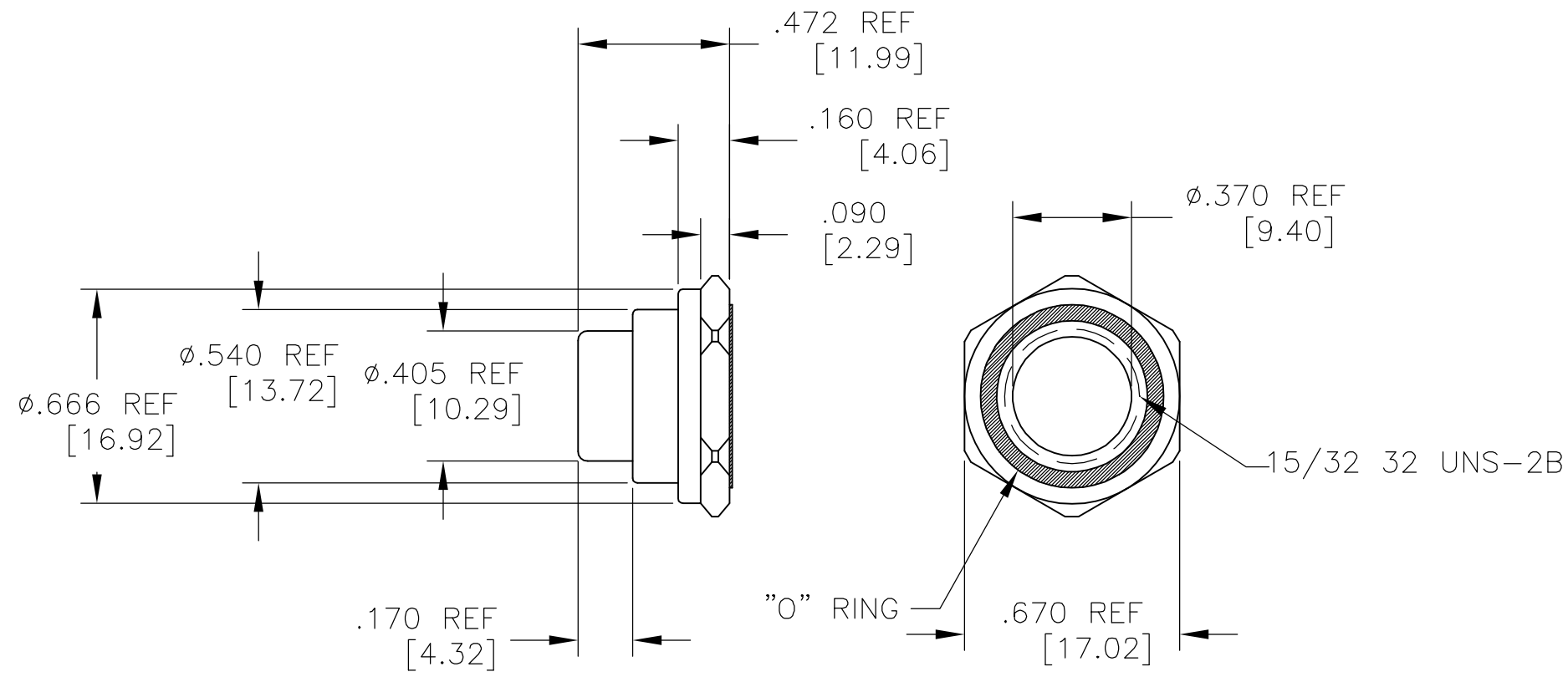


THIS DRAWING IS UNPUBLISHED. RELEASED FOR PUBLICATION
 © COPYRIGHT BY TYCO ELECTRONICS CORPORATION. ALL RIGHTS RESERVED.

LOC AD	DIST 00	REVISIONS			
P	LTR	DESCRIPTION	DATE	DWN	APVD
	A	ECO-06-14750	15AUG06	MB	MW

1. SUPPLIED WITH "O" RING SEAL FOR SEALING TO PANEL
2. BLACK ANODIZED MOUNT VERSION
3. NICKEL PLATED MOUNT VERSION
4. NEOPRENE BOOT



2	BP590004	1825608-2
3	BP589004	1825608-1
FINISH	ALCO P/N	PART NUMBER

THIS DRAWING IS A CONTROLLED DOCUMENT.		DWN M.BINNER 14AUG2006	Tyco Electronics Corporation Harrisburg, PA 17105-3608		
DIMENSIONS: INCHES [mm]		CHK M.WILBOURN 15AUG06			
TOLERANCES UNLESS OTHERWISE SPECIFIED:		APVD M.WILBOURN 15AUG06	NAME 15/32-32 PUSHBUTTON BOOT SEAL		
0 PLC ± - 1 PLC ± - 2 PLC ± - 3 PLC ± .005 4 PLC ± - ANGLES ± -		PRODUCT SPEC -	APPLICATION SPEC -		
MATERIAL -	FINISH -	WEIGHT -	SIZE A3	CAGE CODE 00779	DRAWING NO C-1825608
CUSTOMER DRAWING			SCALE 2:1	SHEET 1 OF 1	REV A