

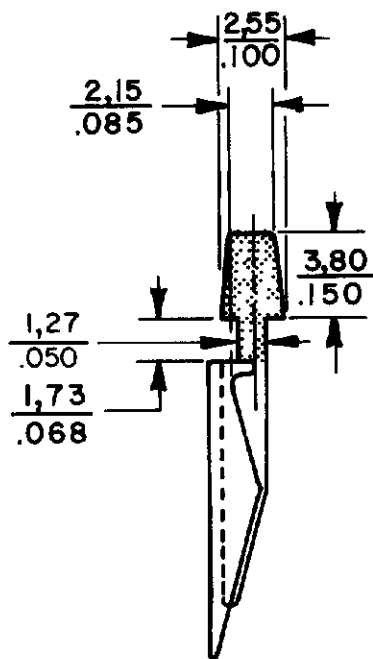
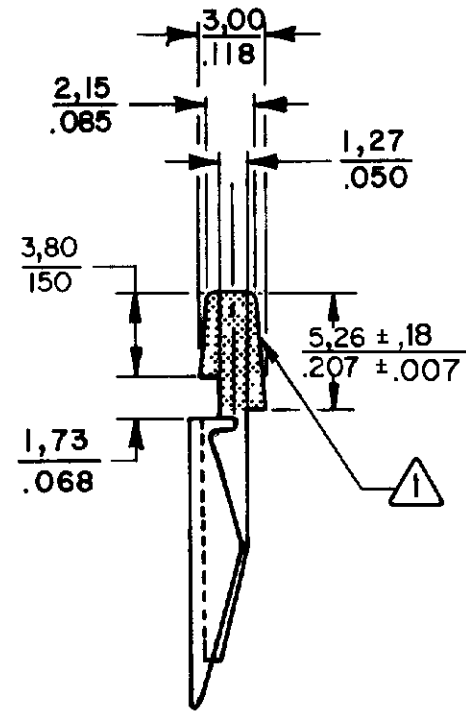
MICRO SWITCH
 FREEPORT ILLINOIS U.S.A.
 A DIVISION OF HONEYWELL
 FED MFG CODE 91929

AML BARRIERS

CATALOG LISTING
AML71 SERIES
 CHART 1

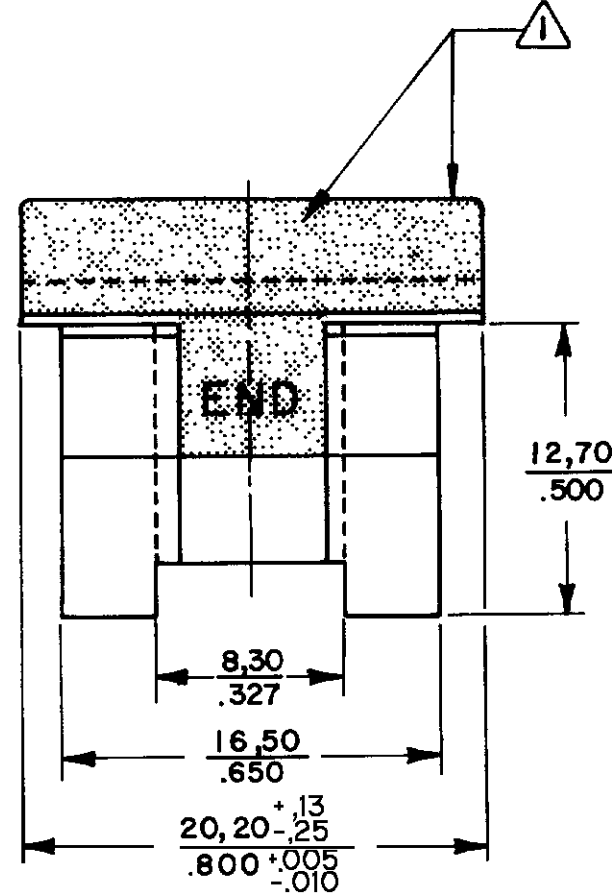
THIS DRAWING COVERS A PROPRIETARY ITEM AND IS THE PROPERTY OF MICRO SWITCH A DIVISION OF HONEYWELL THIS DRAWING IS NOT TO BE COPIED OR USED WITHOUT THE APPROVAL OF MICRO SWITCH

CATALOG LISTING
AML71 SERIES CHART 1
 PAGE 1 OF 1
 RELEASE NO CO-78498 REPLACES AML 71 SERIES
 ISSUE 3
 REVISIONS
 A 201387 G.J.W. 26 SEP 00
 B 202506 C.S.L. MAR 01
 CHECK J.F. 12 JUL 94
 CHECK J.F. 10 JUN 94
 DRAWN RASTER
 SAD

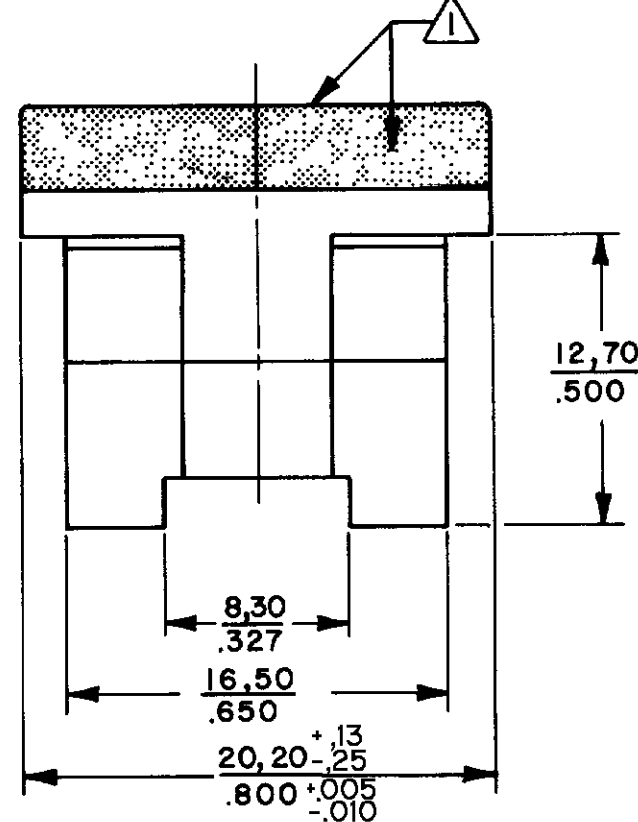


NOTE
 ⚠ MATTE FINISH THIS SURFACE

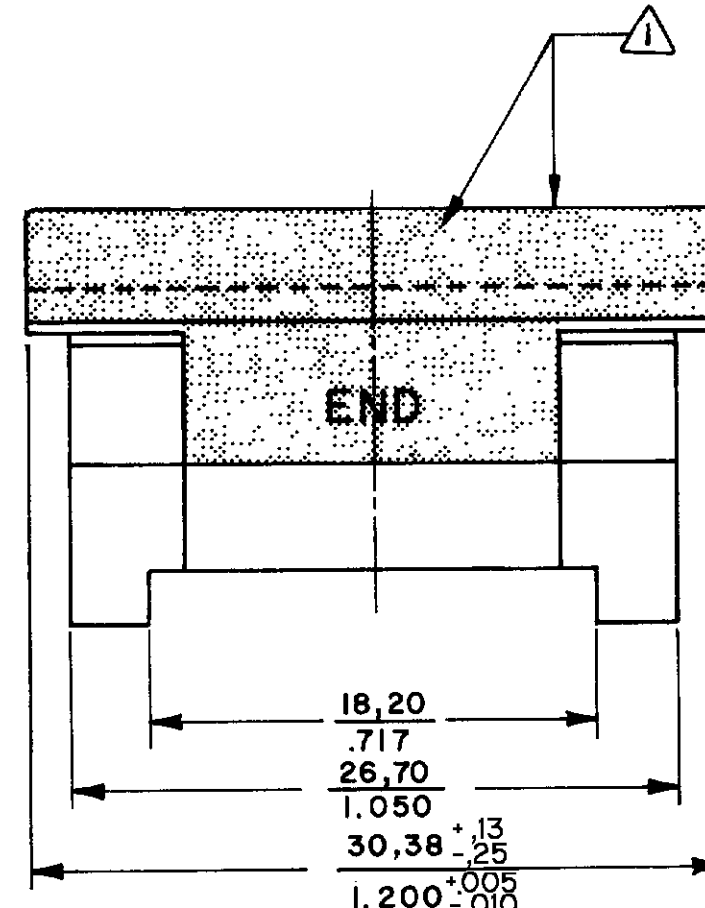
SHORT SIDE BARRIER



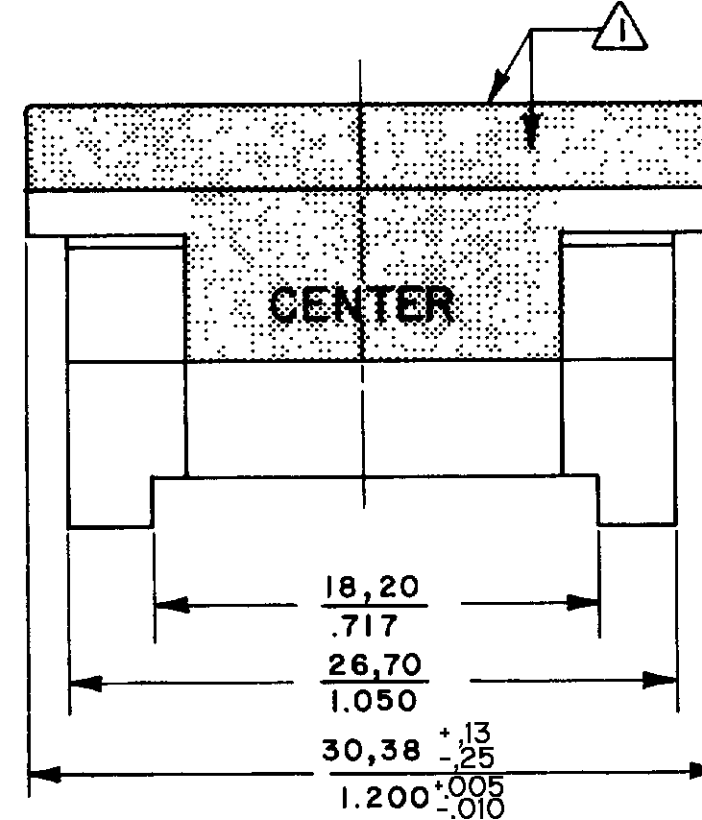
SHORT SIDE BARRIER



LONG SIDE BARRIER



LONG SIDE BARRIER



THIRD ANGLE PROJECTION

SCALE **3.1**

DO NOT SCALE PRINT

TOLERANCES
 APPLY TO DESIGN UNITS CONVERSIONS ARE ONLY FOR REFERENCE UNLESS NOTED TOLERANCES ARE 2

DIM	TOL	DIM	TOL
mm	mm/in	in	mm/in
NO PLACES	X	1/04	X
ONE PLACE	X,X	0.4/016	X X 0.6/03
TWO PLACES	X,XX	0.16/006	X XX 0.38/016
THREE PLACES	X,XXX	X XXX	0.13/005

DESIGN UNITS SI METRIC US CUSTOMARY

RAW MATERIAL—COMMERCIAL STANDARD
 MICRO SWITCH STANDARDS APPLY
 DIMENSIONS ARE TO BE MET BEFORE
 PROTECTIVE COATINGS ARE APPLIED

WEIGHT