

**MICRO SWITCH**

FREEPORT ILLINOIS U.S.A.  
A DIVISION OF HONEYWELL

FED MFG CODE 91929

**SWITCHGUARD**

CATALOG LISTING  
**AML76 SERIES**  
CHART 1

CATALOG LISTING  
AML76CI0T0IP / FAA-PMA LISTING

CATALOG LISTING  
**AML76 SERIES CHART 1**  
PAGE 1 OF 1

ISSUE  
**M**  
2

RELEASE NO CO-78498 REPLACES AML 76 SERIES

CHECK

REVISIONS

A C084470  
JAK  
20 AUG 97

CHECK

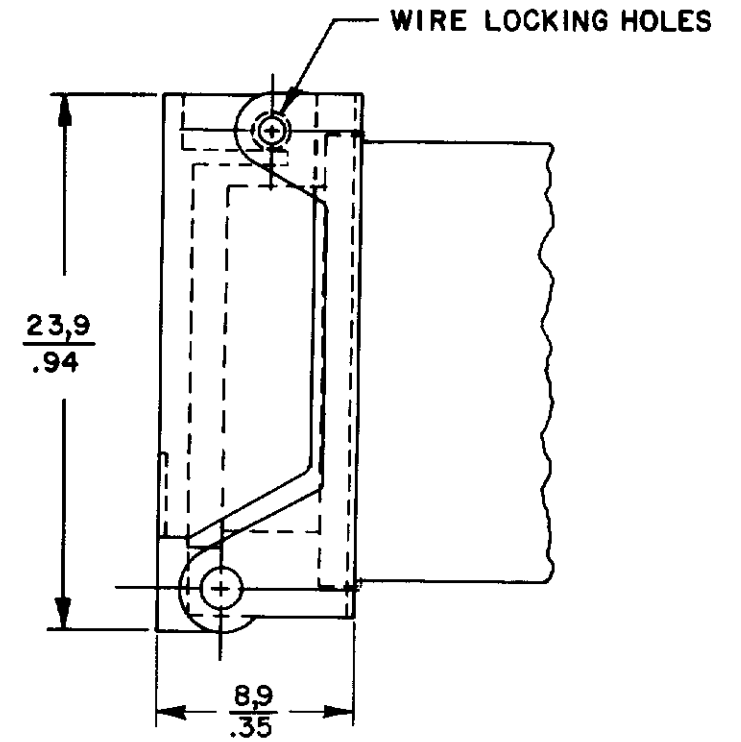
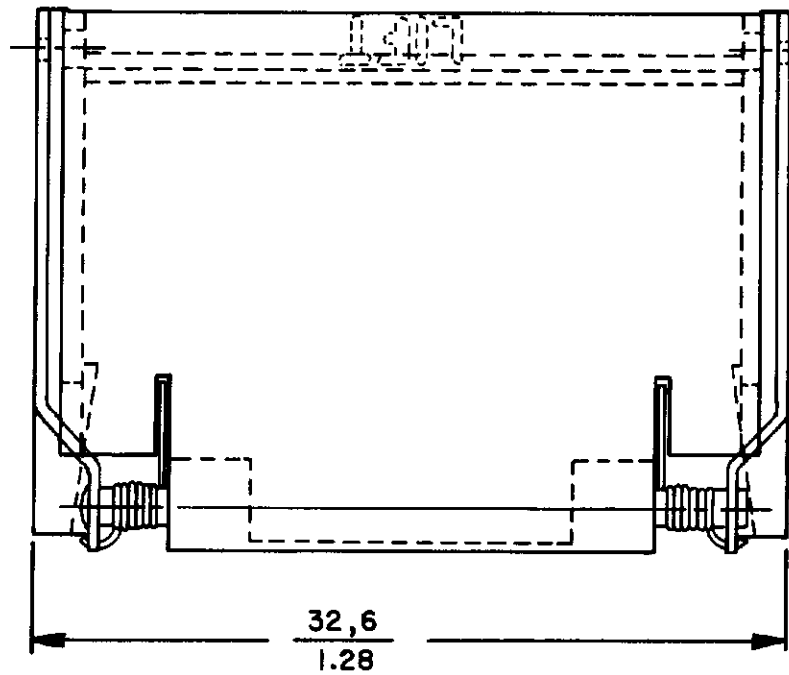
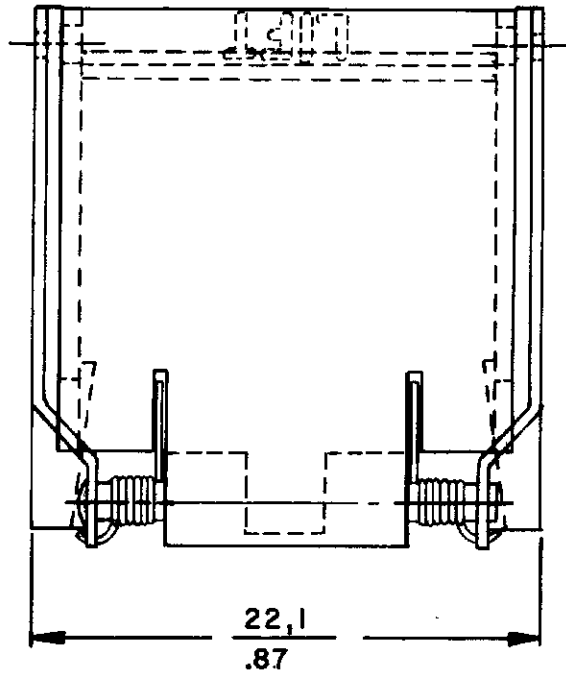
12 JUL 94

JAF

CHECK

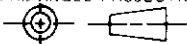
10 JUN 94  
SAD

DRAWN



THIS DRAWING COVERS A PROPRIETARY ITEM AND IS THE PROPERTY OF MICRO SWITCH, A DIVISION OF HONEYWELL. THIS DRAWING IS NOT TO BE COPIED OR USED WITHOUT THE APPROVAL OF MICRO SWITCH.

THIRD ANGLE PROJECTION



**SCALE**

DO NOT SCALE PRINT

**TOLERANCES**  
APPLY TO DESIGN UNITS. CONVERSIONS ARE ONLY FOR REFERENCE. UNLESS NOTED, TOLERANCES ARE ±

	DIM		TOL	
	mm	mm/in	in	mm/in
NO PLACES	X	1/34		
ONE PLACE	X X	0.4/0.16	X X	0.8/0.03
TWO PLACES	X X X	0.15/0.06	X X X	0.38/0.15
THREE PLACES	X X X X		X X X X	0.13/0.05

DESIGN UNITS  SI METRIC  US CUSTOMARY

RAW MATERIAL-COMMERCIAL STANDARD  
MICRO SWITCH STANDARDS APPLY

DIMENSIONS ARE TO BE MET BEFORE  
PROTECTIVE COATINGS ARE APPLIED

**WEIGHT**

**CHARACTERISTICS**

- OPERATING FORCE
- DIFFERENTIAL FORCE
- RELEASE FORCE
- PRETRAVEL
- DIFFERENTIAL TRAVEL
- OVERTRAVEL
- FREE POSITION

**ELECTRICAL DATA**

CONTACT ARRANGEMENT