

# MICRO SWITCH

A DIVISION OF MINNEAPOLIS-HONEYWELL REGULATOR COMPANY

PROOF, MASSACHUSETTS

FED. MFR. CODE 91929

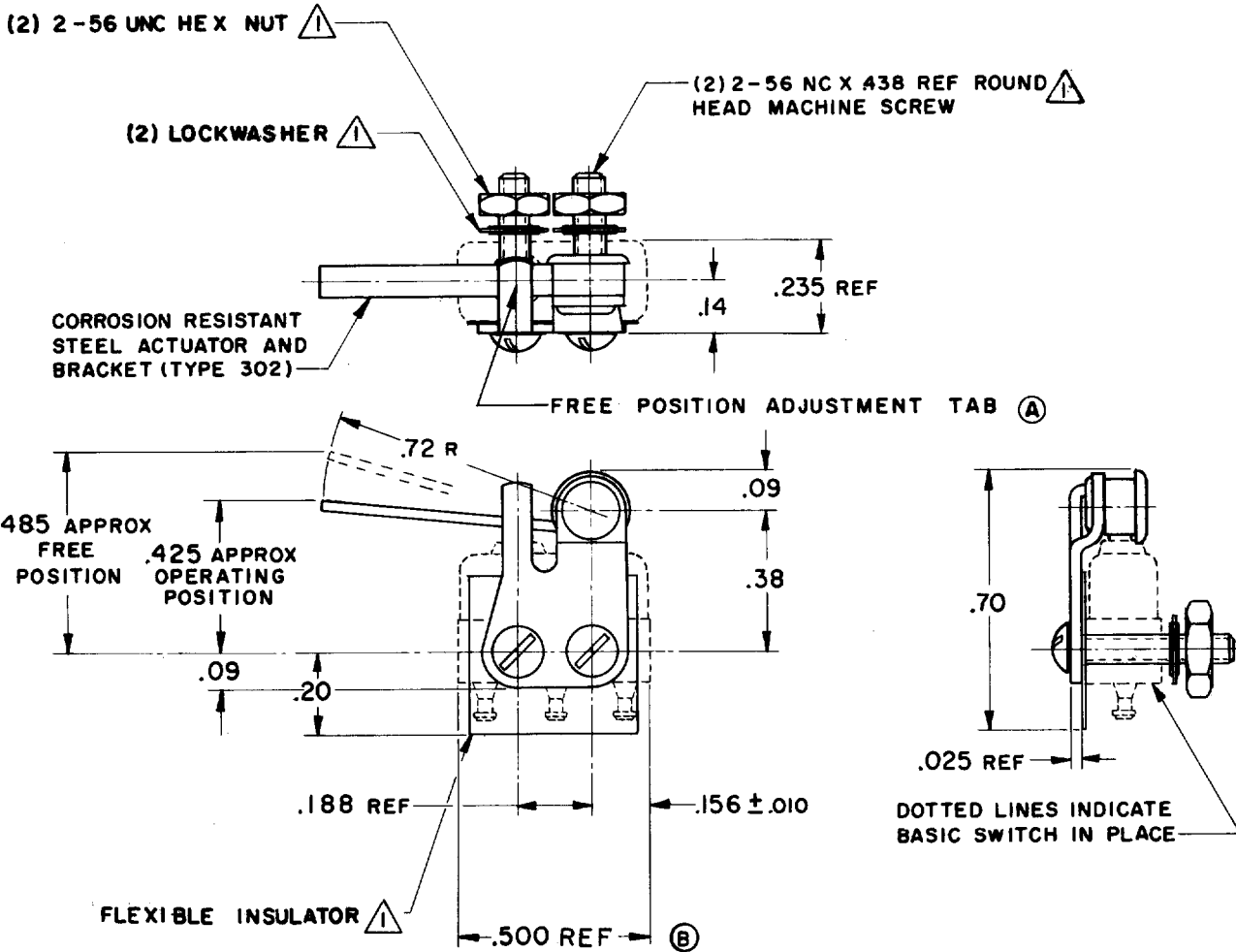
# SWITCH - ACTUATOR

CATALOG LISTING

JX-20

5

M JX-20  
 DRAWING NUMBER  
 ISSUE X 5  
 REVISIONS  
 A SR 7915  
 L M H  
 13 NOV 58  
 B CO14274  
 M B F  
 8 DEC 59  
 C CO47771  
 C J H  
 17 MAY 80  
 D CO74163  
 D H D  
 22 APR 93  
 REPLACES  
 RELEASE NO. SR-7915  
 CHECK B, L.S. 14 NOV 58  
 CHECK 23 SEPT 58  
 CHECK RED 24 NOV 58  
 CHECK 18 SEPT 58  
 DRAWN  
 R. E. R.



NOTE -  
 ▲ - FURNISHED UNASSEMBLED.

THIS DRAWING COVERS A PROPRIETARY ITEM AND IS THE PROPERTY OF MICRO SWITCH, A DIVISION OF MINNEAPOLIS-HONEYWELL REGULATOR CO. THIS DRAWING IS NOT TO BE COPIED OR USED WITHOUT THE APPROVAL OF MICRO SWITCH.

CHARACTERISTICS WITH ISX1-T BASIC SWITCH INSTALLED		ELECTRICAL DATA		SCALE 2 TO 1
OPERATING FORCE	----- 1 OZ APPROX	CONTACT ARRANGEMENT	BREAK DISTANCE	DO NOT SCALE PRINT
RELEASE FORCE	----- 4 GRAMS MIN (A)			UNLESS OTHERWISE SPECIFIED
DIFFERENTIAL TRAVEL	----- .030 APPROX			DIMENSIONS ARE IN INCHES
OVERTRAVEL	----- .030 APPROX			<b>TOLERANCES ARE:</b>
				ONE PLACE (.0) ±.030
				TWO PLACE (.00) ±.018
				THREE PLACE (.000) ±.008
				ANGLES ±
				WEIGHT