

MICRO SWITCH

A DIVISION OF MINNEAPOLIS-HONEYWELL REGULATOR COMPANY
 FREEPORT, MICHIGAN

FED. MFR. CODE 91929

SWITCH - ACTUATOR

CATALOG LISTING

JX-25

5

JX-25

M

DRAWING NUMBER

8

8

X

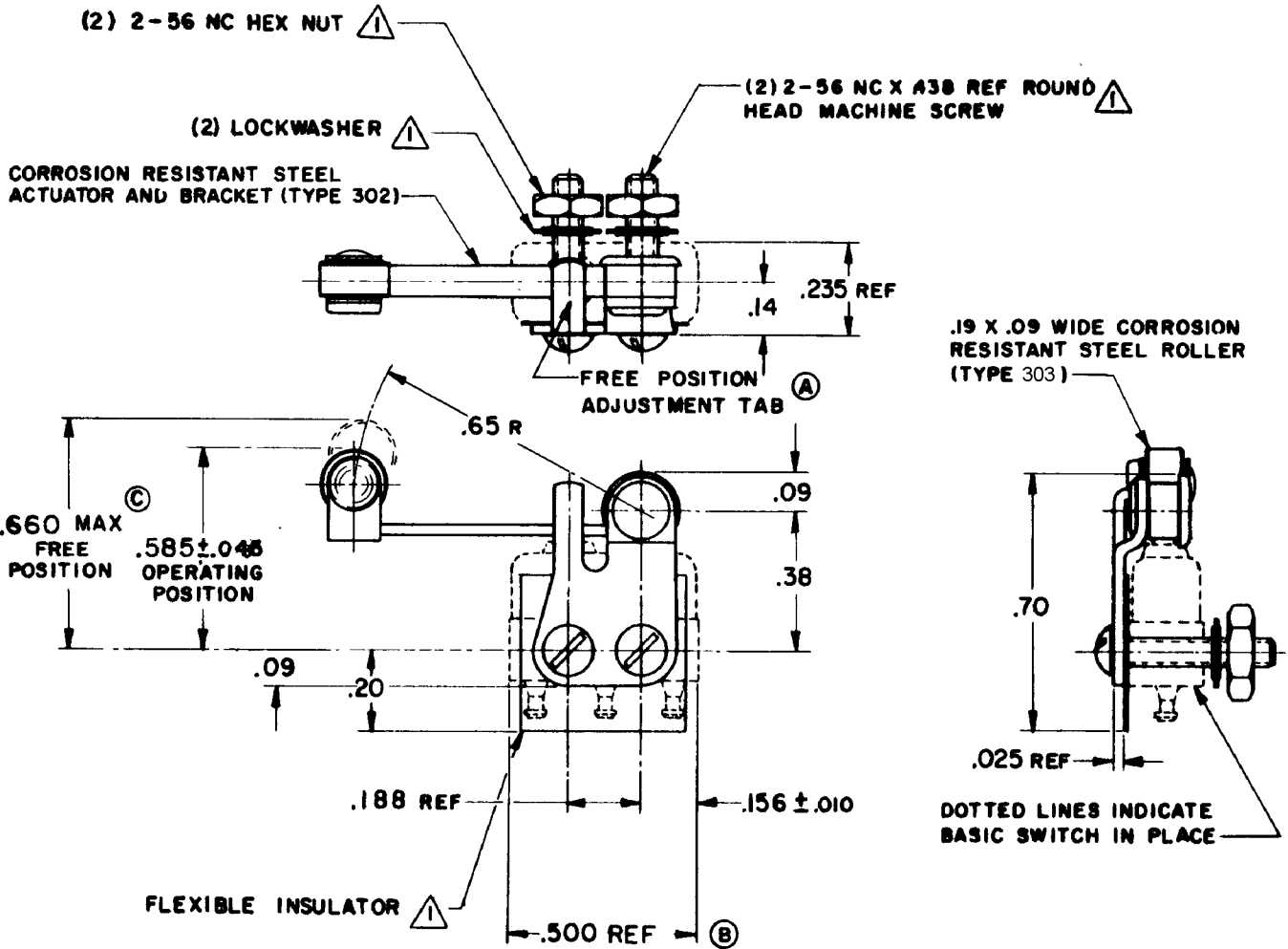
6

ISSUE

REVISIONS

A	SR 7916	13 NOV 58
B	CO14274	23 SEPT 58
C	CO14723	23 SEPT 58
D	CO47771	23 SEPT 58
E	CO74163	23 SEPT 58
F	0015428	22 APR 95

REPLACES
 RELEASE NO. SR-7916
 CHECK BLS 13 NOV 58
 CHECK RED 23 SEPT 58
 CHECK GCH 24 NOV 58
 CHECK RJ 14 SEP 05



NOTE -
 (A) - FURNISHED UNASSEMBLED.

CHECK RJ 14SEP05

THIS DRAWING COVERS A PROPRIETARY ITEM AND IS THE PROPERTY OF MICRO SWITCH, A DIVISION OF MINNEAPOLIS-HONEYWELL REGULATOR CO. THIS DRAWING IS NOT TO BE COPIED OR USED WITHOUT THE APPROVAL OF MICRO SWITCH.

CHARACTERISTICS WITH 15X1-T BASIC SWITCH INSTALLED

OPERATING FORCE	1.5 OZ MAX
RELEASE FORCE	4 GRAMS MIN
DIFFERENTIAL TRAVEL	.030 MAX
OVERTRAVEL	.020 MIN

ELECTRICAL DATA

CONTACT ARRANGEMENT BREAK DISTANCE

SCALE 2 TO 1

DO NOT SCALE PRINT

UNLESS OTHERWISE SPECIFIED
 DIMENSIONS ARE IN INCHES
TOLERANCES ARE:
 ONE PLACE (.0) ±.030
 TWO PLACE (.00) ±.015
 THREE PLACE (.000) ±.005
 ANGLES ±

WEIGHT

FO-50378

DRAWN

R.E.R. 22 SEPT 58