

MICRO SWITCH

A DIVISION OF MINNEAPOLIS-HONEYWELL REGULATOR COMPANY
FEEPORT, MINNESOTA

ACTUATOR - SWITCH

FED. MFR. CODE 91929

SKETCH 20349
ISSUE 1

REPLACES

RELEASE NO. SR 7759

CHECK 8 SEPT 58

B. L. J. 8 SEPT 58

CHECK 8 SEPT 58

RED
CHECK 6 FEB 68

CHECK 12 SEPT 58

4 SEPT 58

CHECK 14 SEP 05

CHARACTERISTICS

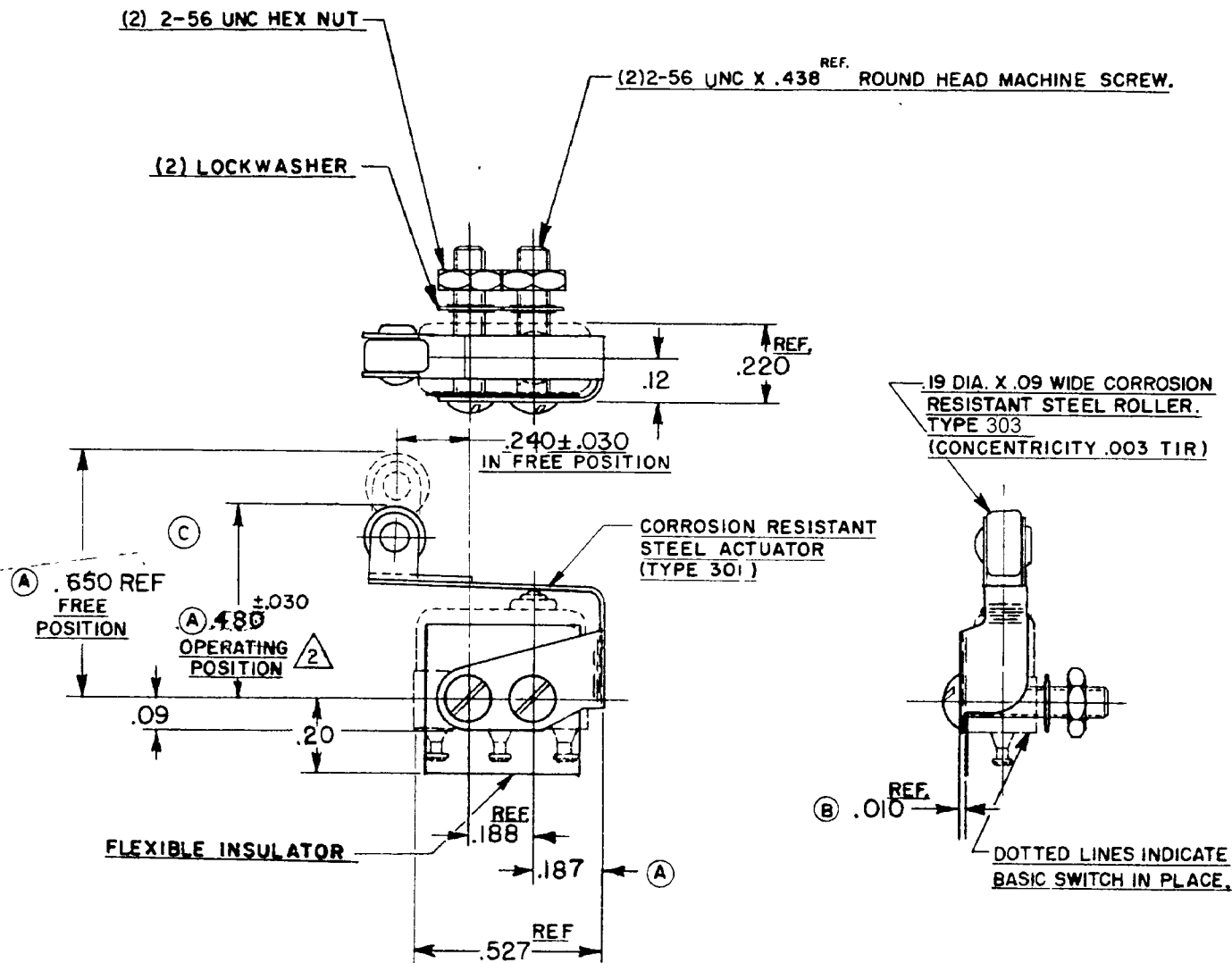
OPERATING FORCE

RELEASE FORCE

DIFFERENTIAL TRAVEL

OVERTRAVEL

(A)



NOTE -

- 1- SCREWS, NUTS, LOCKWASHERS AND INSULATOR FURNISHED UNASSEMBLED.
- 2 SLIGHT ROTATION BETWEEN BASIC AND ACTUATOR MAY BE NECESSARY TO OBTAIN OPERATING POSITION

CHECK RJ 14SEP05

THIS DRAWING COVERS A PROPRIETARY ITEM AND IS THE PROPERTY OF MICRO SWITCH A DIVISION OF MINNEAPOLIS-HONEYWELL REGULATOR CO THIS DRAWING IS NOT TO BE COPIED OR USED WITHOUT THE APPROVAL OF MICRO SWITCH

CHARACTERISTICS WITH ISX1-T BASIC SWITCH INSTALLED

OPERATING FORCE	-----7 OZ. MAX.
RELEASE FORCE	-----1 OZ. MIN.
DIFFERENTIAL TRAVEL	-----.025 MAX.
OVERTRAVEL	-----.015 MIN.

ELECTRICAL DATA

CONTACT ARRANGEMENT

BREAK DISTANCE

SCALE 2 TO 1

DO NOT SCALE PRINT

UNLESS OTHERWISE SPECIFIED
DIMENSIONS ARE IN INCHES
TOLERANCES ARE:
ONE PLACE (.0) ±.030
TWO PLACE (.00) ±.015
THREE PLACE (.000) ±.005
ANGLES ±

WEIGHT 1.85g APPROX.

JX - 45
M
DRAWING NUMBER
ISSUE 111

REVISIONS

A	CO13644	M B F	27 APR 59
B	CO15829	M B F	17 APRIL 61
C	CO22579	OMW	1 MAY 67
D	CO23793	W E G	6 FEB 68
E	CO25480	G F S	2 MAR 69
F	CO47771	C J H	17 MAY 80
G	CO74163	D H D	22 APR 93
H	CO82929	D L T	10 MAY 96
J	0015428	SPK	14SEP05