

MICRO SWITCH

A DIVISION OF MINNEAPOLIS-HONEYWELL REGULATOR COMPANY
 FREEPORT ILLINOIS
 FED. MFR CODE 91929

ACTUATOR - SWITCH

CATALOG LISTING

JS-2

(M) JS-2
 ISSUE 4

JS-2

M

DRAWING NUMBER

6

9

ISSUE

X

2

REVISIONS

A	CO 1800	K.F.M.	2 FEB 56
B	CO 12901	M.B.F.	11 MAY 59
C	CO 17304	M.B.F.	6 JUNE 63
D	CO 47771		

C.V.H.

17 MAY 80

E CO 78303

DLT

7 MAR 85

REPLACES

RELEASE NO.

CHECK

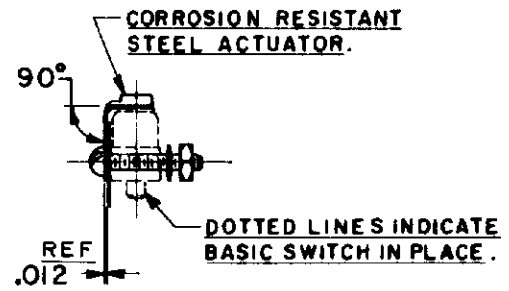
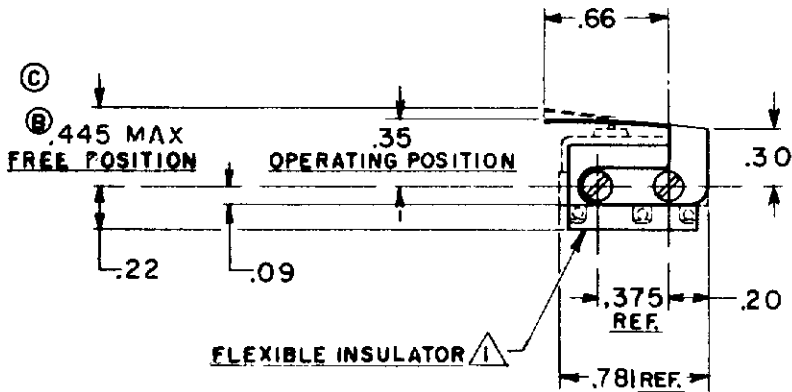
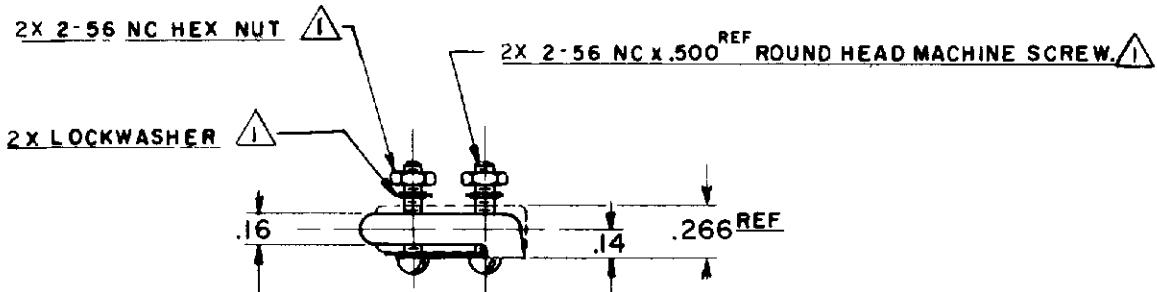
CHECK

CHECK

3 FEB 56

DRAWN

K.F.M.



NOTE - \triangle FURNISHED UNASSEMBLED

THIS DRAWING COVERS A PROPRIETARY ITEM AND IS THE PROPERTY OF MICRO SWITCH A DIVISION OF HONEYWELL. THIS DRAWING IS NOT TO BE COPIED OR USED WITHOUT THE APPROVAL OF MICRO SWITCH

CHARACTERISTICS WITH ISMI SWITCH INSTALLED

OPERATING FORCE - - - 10 OZ. MAX.

RELEASE FORCE - - - ③ 2 OZ. MIN.

PRETRAVEL - - - .078 MAX.

DIFFERENTIAL TRAVEL - - - 0.5 MAX

OVERTRAVEL - - - 0.15 MIN.

ELECTRICAL DATA

CONTACT ARRANGEMENT

BREAK DISTANCE

SCALE FULL

DO NOT SCALE PRINT

UNLESS OTHERWISE SPECIFIED DIMENSIONS ARE IN INCHES

TOLERANCES ARE.

ONE PLACE	(0)	±.030
TWO PLACE	(.00)	±.015
THREE PLACE	(.000)	±.005
ANGLES		±2°

WEIGHT