

MICRO SWITCH

FREEPORT ILLINOIS, U.S.A
A DIVISION OF HONEYWELL
FED. MFG. CODE 91929

ACTUATOR - SWITCH

CATALOG LISTING

JS-5

JS-5

M

DRAWING NUMBER

ISSUE

1816

REPLACES

RELEASE NO. SR-1368

CHECK

REVISIONS

A	NEW DWG C035725	D B W 23 JUL 75
B	C038560	J A L 13 JUN 77
C	C047771	C J H 17 MAY 80
D	C079303	DLT 7 MAR 95

CHECK

25 JULY 75

CHECK

25 JULY 75

CHECK

25 JULY 75

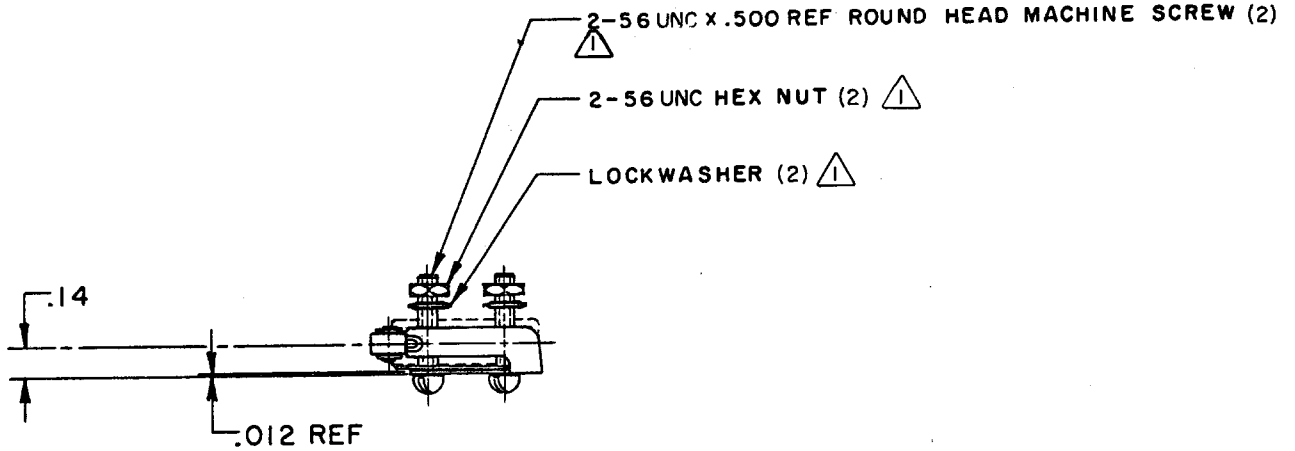
CHECK

25 JULY 75

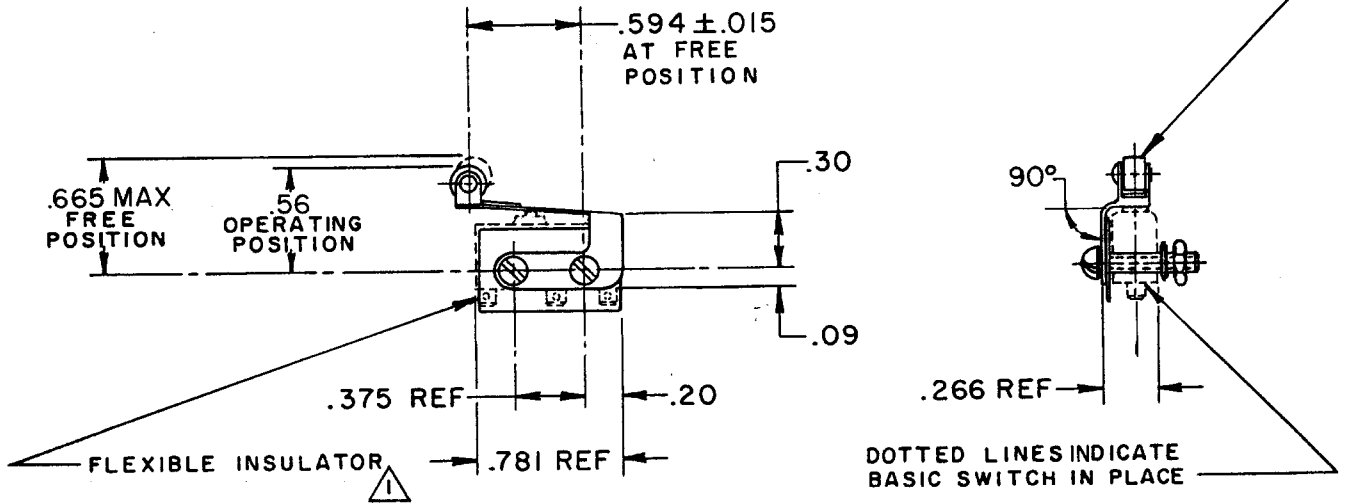
FO-52848-A

DRAWN

D B W23 JUL 75



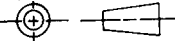
.19 DIA X .12 WIDE OIL BRONZE ROLLER
(CONCENTRICITY .005 T. I. R.)



NOTE - \triangle - FURNISHED UNASSEMBLED

THIS DRAWING COVERS A PROPRIETARY ITEM AND IS THE PROPERTY OF MICRO SWITCH, A DIVISION OF HONEYWELL. THIS DRAWING IS NOT TO BE COPIED OR USED WITHOUT THE APPROVAL OF MICRO SWITCH.

THIRD ANGLE PROJECTION



CHARACTERISTICS WITH ISMI SWITCH INSTALLED

OPERATING FORCE	----- 10 OZ MAX
RELEASE FORCE	----- 2 OZ MIN
PRETRAVEL	----- .078 MAX
DIFFERENTIAL TRAVEL	----- .015 MAX
OVERTRAVEL	----- .015 MIN

ELECTRICAL DATA

CONTACT ARRANGEMENT

SCALE FULL

DO NOT SCALE PRINT

TOLERANCES

APPLY TO DESIGN UNITS. CONVERSIONS ARE ONLY FOR REFERENCE. UNLESS NOTED, TOLERANCES ARE \pm

DIM.	TOL.	DIM.	TOL.	
mm	mm/in	in	mm/in	
NO PLACES	X	1/.04	X X	0.8/.03
ONE PLACE	X.X	0.4/.018	X.XX	0.38/.015
TWO PLACES	X.XX	0.15/.006	X.XXX	0.13/.005
THREE PLACES	X.XXX			
ANGLES				2°

DESIGN UNITS SI METRIC US CUSTOMARY

WEIGHT