

MICRO SWITCH

A DIVISION OF MINNEAPOLIS-HONEYWELL REGULATOR COMPANY
 FREEPORT, MAINE

FED. MFR. CODE 91929

ACTUATOR-SWITCH

CATALOG LISTING

JV-1

5

(M) JV-1
 ISSUE 4

JV-1

M

DRAWING NUMBER

ISSUE 58

78

REVISIONS

A	CO13739	NHL	12 JUNE 59
B	CO17473	OMW	21 JUN 63
C	CO34626	RE R	6 FEB 75
D	CO74163	D H D	22 APR 93

REPLACES

RELEASE NO.

CHECK

CHECK

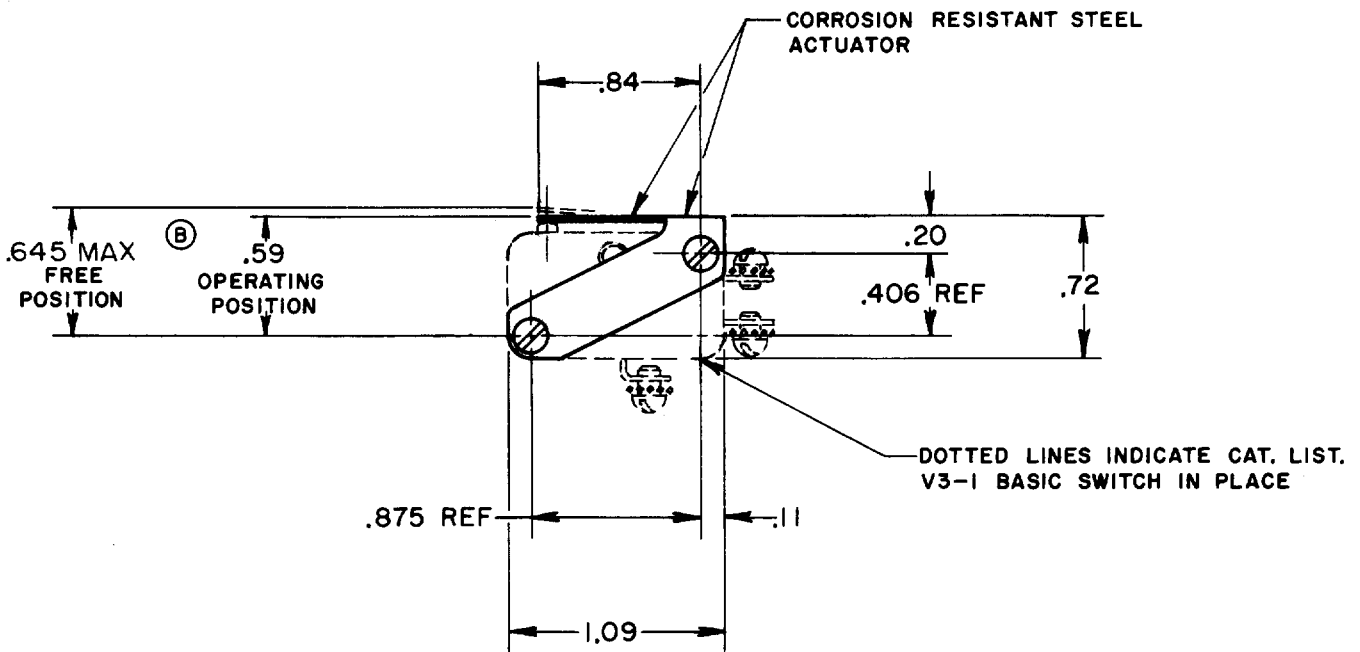
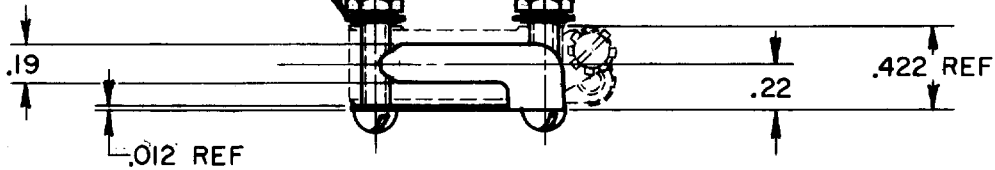
CHECK

DRAWN

4-40 NC X .625 REF ROUND HEAD MACHINE (2) \triangle
 SCREW

4-40 NC HEX NUT (2) \triangle

LOCKWASHER (2) \triangle



NOTE -
 \triangle - FURNISHED UNASSEMBLED

THIS DRAWING COVERS A PROPRIETARY ITEM AND IS THE PROPERTY OF MICRO SWITCH, A DIVISION OF MINNEAPOLIS-HONEYWELL REGULATOR CO. THIS DRAWING IS NOT TO BE COPIED OR USED WITHOUT THE APPROVAL OF MICRO SWITCH.

CHARACTERISTICS WITH V3-1 BASIC SWITCH INSTALLED

OPERATING FORCE	-----	18 OZ MAX
RELEASE FORCE	-----	6 OZ MIN
PRETRAVEL	-----	.047 MAX
DIFFERENTIAL TRAVEL	-----	.016 MAX
OVERTRAVEL	-----	.031 MIN

ELECTRICAL DATA

CONTACT ARRANGEMENT	BREAK DISTANCE
---------------------	----------------

SCALE FULL

DO NOT SCALE PRINT

UNLESS OTHERWISE SPECIFIED
 DIMENSIONS ARE IN INCHES
TOLERANCES ARE:
 ONE PLACE (.0) \pm .030
 TWO PLACE (.00) \pm .015
 THREE PLACE (.000) \pm .005
 ANGLES \pm

WEIGHT

CHECK

CHECK

CHECK

CHECK

CHECK