

**MICRO SWITCH**  
a Honeywell Division

**ACTUATOR-SWITCH**

CATALOG LISTING

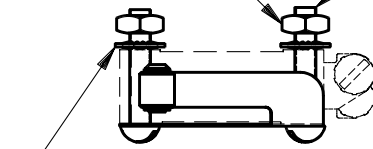
JV-5

FAA-PMA

FED. MFG. CODE 91 929

2X 4-40 UNC HEX NUT  
CARBON STEEL,  
NICKEL PLATE  $\triangle 1$   $\triangle 2$

2X 4-40 UNC X (.625) ROUND HEAD  
MACHINE SCREW, CARBON STEEL,  
NICKEL PLATE  $\triangle 1$



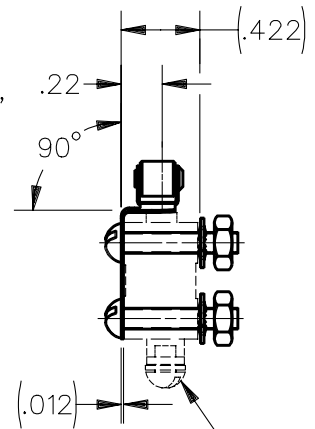
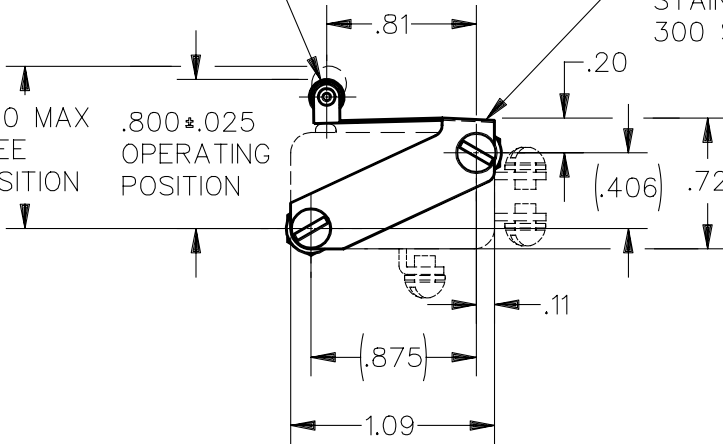
2X LOCKWASHER  
HIGH CARBON STEEL,  
NICKEL PLATE  $\triangle 1$

$\varnothing$ .19 X .19 WIDE OIL BRONZE ROLLER  
(CONCENTRICITY .005 FIM)

SPRING-LEAF  
STAINLESS STEEL,  
300 SERIES

.870 MAX  
FREE  
POSITION

.800  $\pm$  .025  
OPERATING  
POSITION



DOTTED LINES INDICATE  
BASIC SWITCH IN PLACE

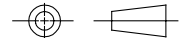
NOTES

- $\triangle 1$  FURNISHED UNASSEMBLED
- $\triangle 2$  MOUNTING TORQUE: 5 IN LBS MAX
- 3 - WHEN INSTALLED PER MICRO SWITCH SPECIFICATION, ACTUATOR WILL MEET OR EXCEED THE EXPECTED MECHANICAL LIFE OF THE BASIC SWITCH IMPLEMENTED
- 4 - ACTUATOR ONLY, NO BASIC SWITCH INSTALLED
- $\triangle 5$  CHARACTERISTICS WITH V3-1001 BASIC SWITCH INSTALLED
- 6 - MARKING ON INDIVIDUAL PACKAGES OF ACTUATORS SHALL INCLUDE FAA-PMA

ANSI Y14.5M-1982 APPLIES

THIS DRAWING COVERS A PROPRIETARY ITEM AND IS THE PROPERTY OF MICRO SWITCH, A DIVISION OF HONEYWELL. THIS DRAWING IS NOT TO BE COPIED OR USED WITHOUT THE APPROVAL OF MICRO SWITCH.

THIRD ANGLE PROJECTION



CHARACTERISTICS $\triangle 5$
OPERATING FORCE — — — — — 18 OZ MAX
RELEASE FORCE — — — — — 4 OZ MIN
PRETRAVEL — — — — — .060 MAX
DIFFERENTIAL TRAVEL — — — .016 MAX
OVERTRAVEL — — — — — .031 MIN

ELECTRICAL DATA
CONTACT ARRANGEMENT

SCALE FULL	DO NOT SCALE PRINT
<b>UNLESS OTHERWISE SPECIFIED TOLERANCES ARE</b>	
ONE PLACE (.0)	$\pm$ .030
TWO PLACE (.00)	$\pm$ .015
THREE PLACE (.000)	$\pm$ .005
ANGLES	$\pm$ 2°

WEIGHT .015 LB MAX

CATALOG LISTING  
**JV-5**  
 PAGE 1 OF 1  
**M**  
 ISSUE 14  
 REVISIONS  
 A CO-1 84929 DCS 19 AUG 97  
 B CO-1 93327 DLT 2 DEC 98  
 CHECK 20 AUG 97  
 DCS  
 CHECK 18 AUG 97  
 DCS  
 DDM/CAD  
 DRAWN  
 DCS  
 REPLACES  
 RELEASE NO.