

MICRO SWITCH

A DIVISION OF MINNEAPOLIS-HONEYWELL REGULATOR COMPANY
 PROSPERITY, ALABAMA
 FED. MFR. CODE 91929

ACTUATOR - SWITCH

CATALOG LISTING
MC2711H

(M) MC2711H
 ISSUE 2

MC2711H
 PAGE 1 OF 1

M

DRAWING
 NUMBER

8

ISSUE

8

REPLACES

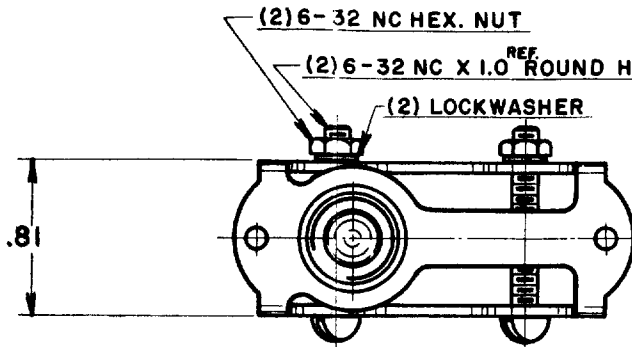
RELEASE NO.

CHECK

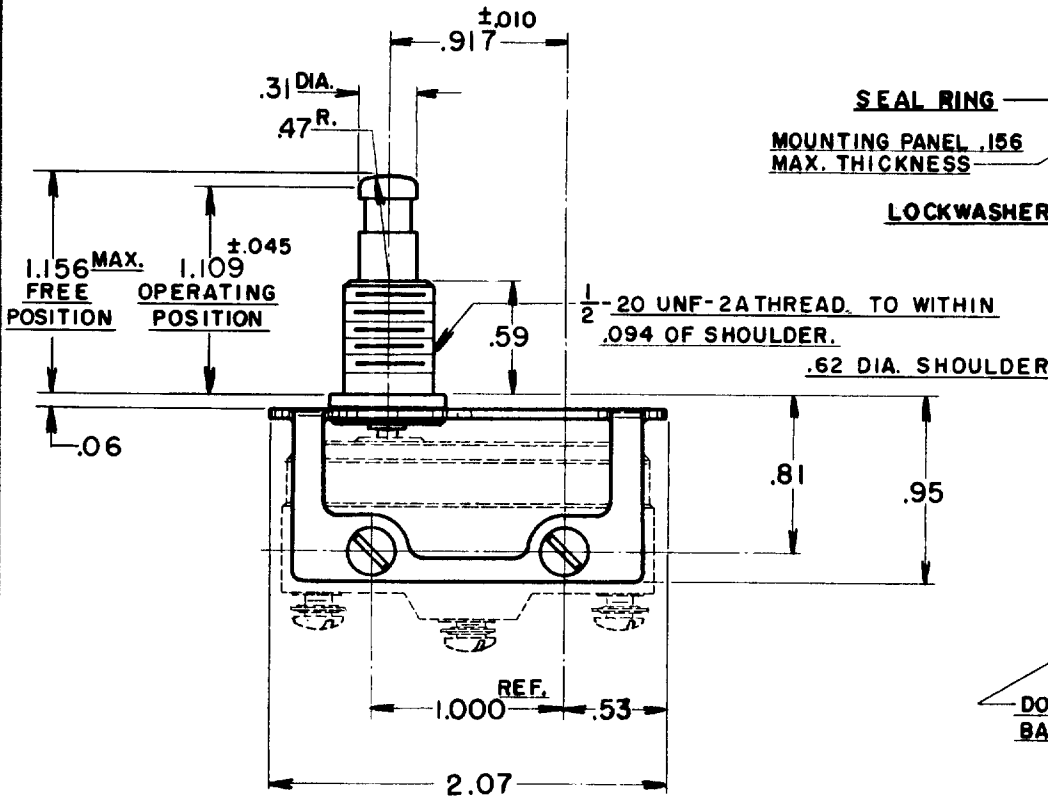
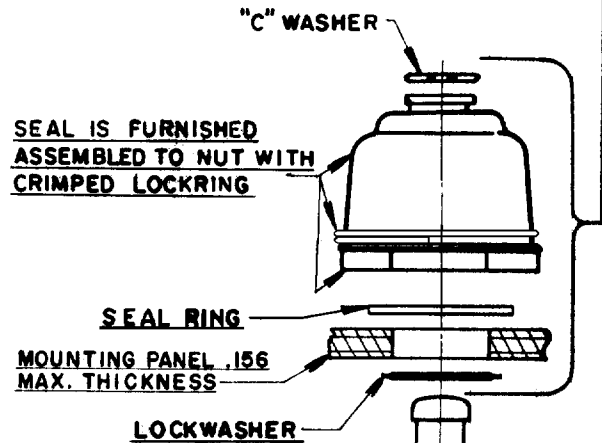
CHECK

CHECK

CHECK



THESE PARTS ARE SUPPLIED UNASSEMBLED
 IN PACKAGE WITH EACH ACTUATOR



DOTTED LINES INDICATE
 BASIC SWITCH IN PLACE.

NOTE -
 - SCREWS, NUTS, AND LOCKWASHERS FURNISHED UNASSEMBLED.

THIS DRAWING COVERS A PROPRIETARY ITEM AND IS THE PROPERTY OF MICRO SWITCH. A DIVISION OF HONEYWELL. THIS DRAWING IS NOT TO BE COPIED OR USED WITHOUT THE APPROVAL OF MICRO SWITCH.

CHARACTERISTICS

FULL OVERTRAVEL FORCE --- 6 LBS. MAX.

OVERTRAVEL --- .188 MIN.

ELECTRICAL DATA

CONTACT ARRANGEMENT

BREAK DISTANCE

SCALE FULL

DO NOT SCALE PRINT

UNLESS OTHERWISE SPECIFIED
 DIMENSIONS ARE IN INCHES
TOLERANCES ARE:
 ONE PLACE (.0) $\pm .030$
 TWO PLACE (.00) $\pm .015$
 THREE PLACE (.000) $\pm .005$
 ANGLES

WEIGHT

RASTER

DRAWN

R. L. Z. 21 SEPT. 56

FO-50378

REVISIONS	CHECK
A CO 8520 R. L. Z. 21 SEPT 56	✓
B CO13082 O M W 12 MAR 59	✓
C CO38152 K P K 24 JAN 77	✓
D CO74163 D H D 21 APR 93	✓
E CO95149 DLM 8 JUNE 99	✓
F 0040139 SS 29MAY08	✓

C.N.T. 25 SEP 56
 G.C.N. 28 SEPT 58