

**MICRO SWITCH**

A DIVISION OF MINNEAPOLIS-HONEYWELL REGULATOR COMPANY  
FREEPORT, ILLINOIS

FED. MFR. CODE 91929

**ACTUATOR - SWITCH**

(M) MCD7711  
ISSUE 4

MCD7711

M

DRAWING NUMBER

ISSUE 8

7

REPLACES

RELEASE NO.

CHECK

REVISIONS

A	CO14866	OMW	20 SEP 60
B	CO16924	OMW	10 APR 62
C	CO79303	SAD	6 MAR 95

CHECK

21 SEP '60

CHECK

DAW

CHECK

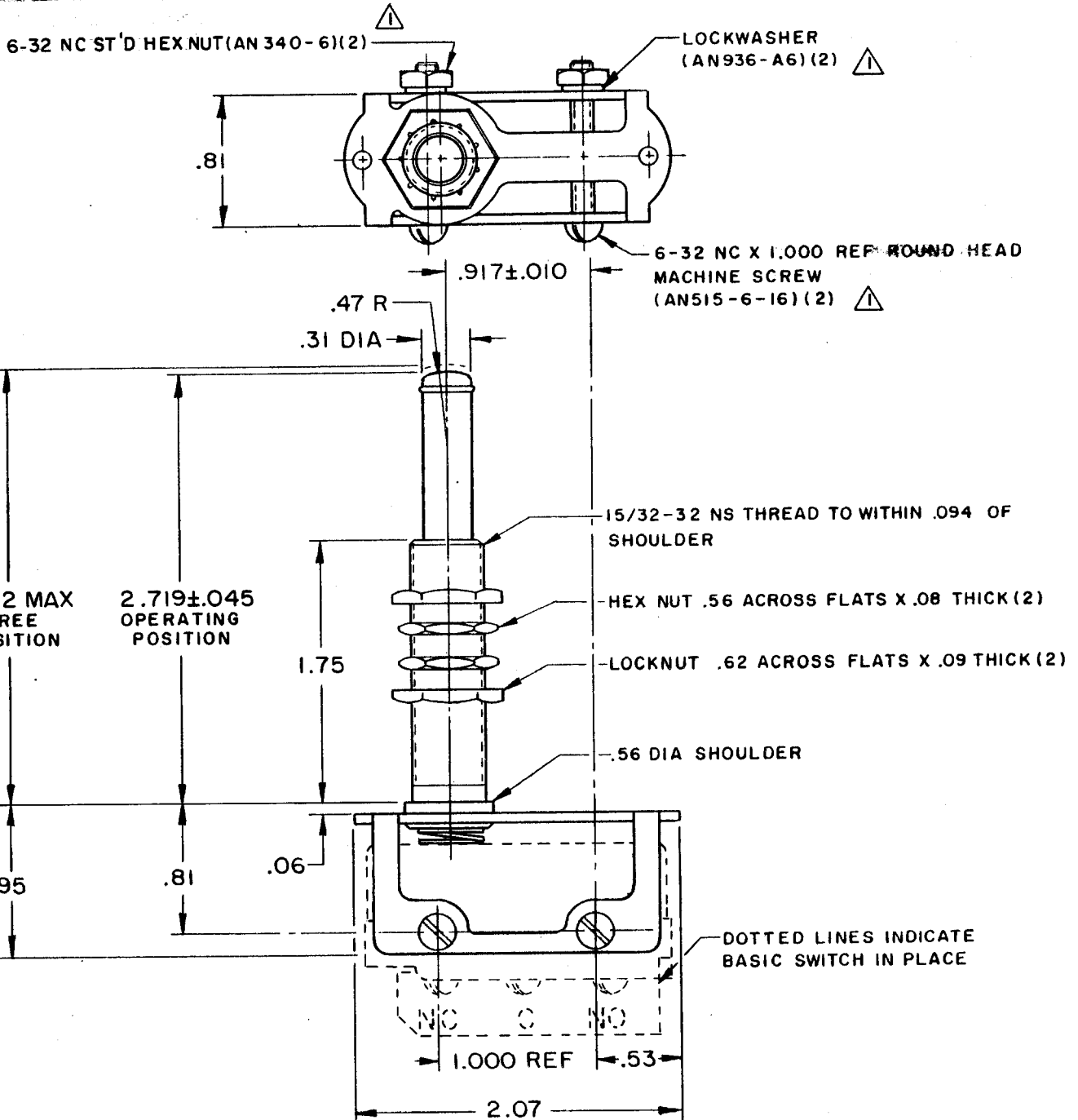
60

CHECK

20 SEP

OMW

FO-50378



NOTE -

⚠ FURNISHED UNASSEMBLED

2 - ACTUATOR WILL PERFORM SATISFACTORILY IN TEMPERATURES TO MINUS 65° F

THIS DRAWING COVERS A PROPRIETARY ITEM AND IS THE PROPERTY OF MICRO SWITCH, A DIVISION OF MINNEAPOLIS-HONEYWELL REGULATOR CO. THIS DRAWING IS NOT TO BE COPIED OR USED WITHOUT THE APPROVAL OF MICRO SWITCH.

**CHARACTERISTICS**

FULL OVERTRAVEL FORCE --- 5 1/2 LB MAX  
OVERTRAVEL ----- .719 MIN

**ELECTRICAL DATA**

CONTACT ARRANGEMENT

BREAK DISTANCE

**SCALE FULL**

DO NOT SCALE PRINT

UNLESS OTHERWISE SPECIFIED  
DIMENSIONS ARE IN INCHES  
**TOLERANCES ARE:**  
ONE PLACE (.0) ±.030  
TWO PLACE (.00) ±.015  
THREE PLACE (.000) ±.005  
ANGLES ±

WEIGHT