

MICRO

MAKERS OF PRECISION SWITCHES
A DIVISION OF MINNEAPOLIS-HONEYWELL REGULATOR CO.
FREEPORT, ILLINOIS, U. S. A.

ACTUATOR ROLLER PLUNGER

CATALOG LISTING
MD3211Q1

SKETCH 8269
ISSUE 1

MD3211Q1

DRAWING
NUMBER

ISSUE 1

REVISIONS

A	08/26/90	JAS
B	11/DEC/87	
C	08/97/84	
D	05/91	
E	07/43/84	
F	07/94	

RELEASE NO. SR 3761

REPLACES ISSUE 1

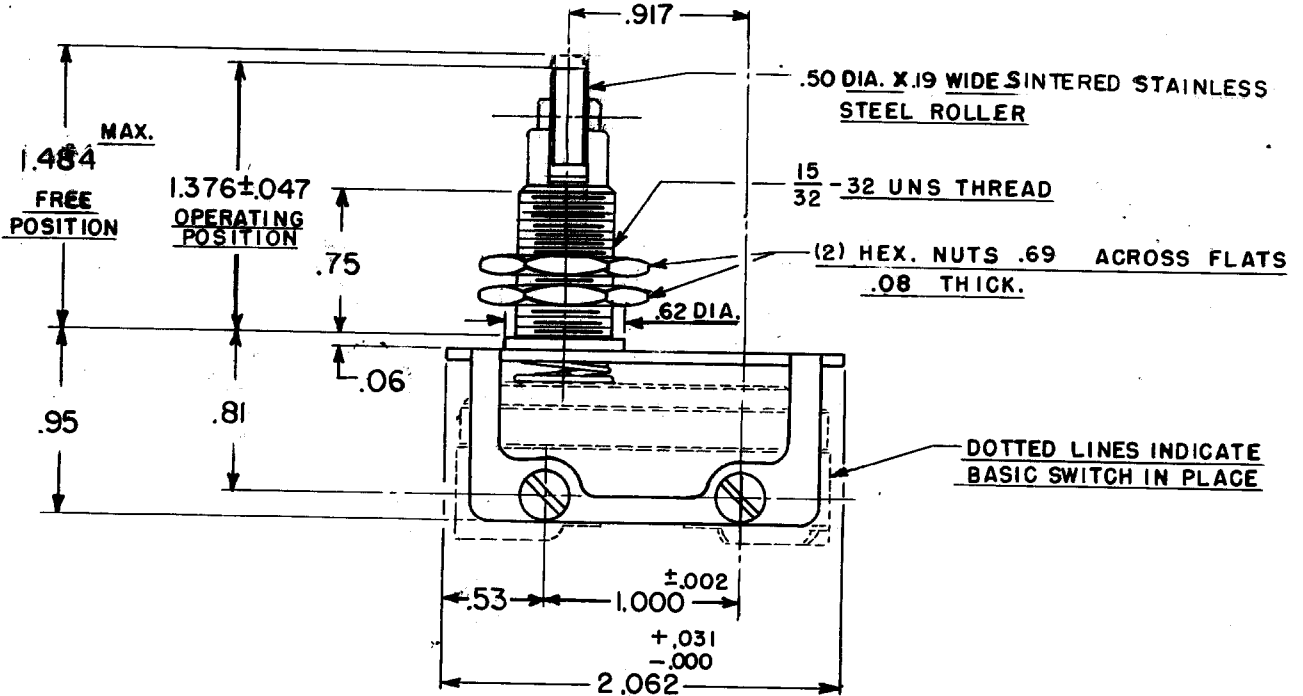
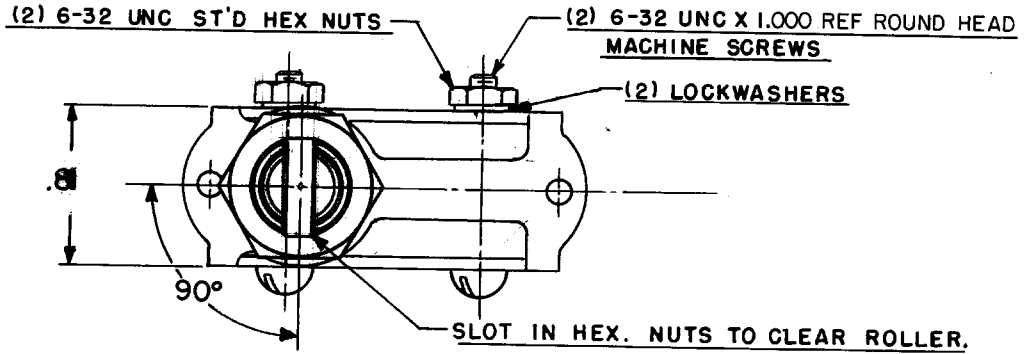
CHECK 30 JUNE '54

CHECK 06

CHECK 14 JULY '54

CHECK 20 JULY '54

DRAWN R. G. C. 30 JUNE '54



THIS DRAWING COVERS A PROPRIETARY ITEM AND IS THE PROPERTY OF MICRO SWITCH, A DIVISION OF HONEYWELL. THIS DRAWING IS NOT TO BE COPIED OR USED WITHOUT THE APPROVAL OF MICRO SWITCH.

CHARACTERISTICS

ELECTRICAL DATA

SCALE FULL

CONTACT ARRANGEMENT

BREAK DISTANCE

DO NOT SCALE PRINT

UNLESS OTHERWISE SPECIFIED:

DIMENSIONS ARE IN INCHES

TOLERANCES ARE

FRACTIONS ± .016

DECIMALS ± .010

ANGLES ± 2°

WEIGHT

OVERTRAVEL ----- .125 APPROX.