

MICRO SWITCH

A DIVISION OF MILWAUKEE-HONEYWELL REGULATOR COMPANY
MILWAUKEE, WISCONSIN

FED. MFR. CODE 91929

PACKET

CATALOG LISTING

★ 3PA1

S

(M) 3PA1

ISSUE 3

REPLACES

RELEASE NO.

3PA1

M

DRAWING NUMBER

ISSUE

7

CHECK

REVISIONS

A C.O. 8520

K.A.F. 8 MAY 57

B C017271

L.E.B. 12 SEPT 63

C C054735

TSK 25 NOV 85

D C073014

G.J.W. 29 JUL 92

CHECK

CHECK

CHECK

CHECK

CHECK

CHECK

CHECK

CHECK

CHECK

CHECK

CHECK

CHECK

CHECK

CHECK

CHECK

CHECK

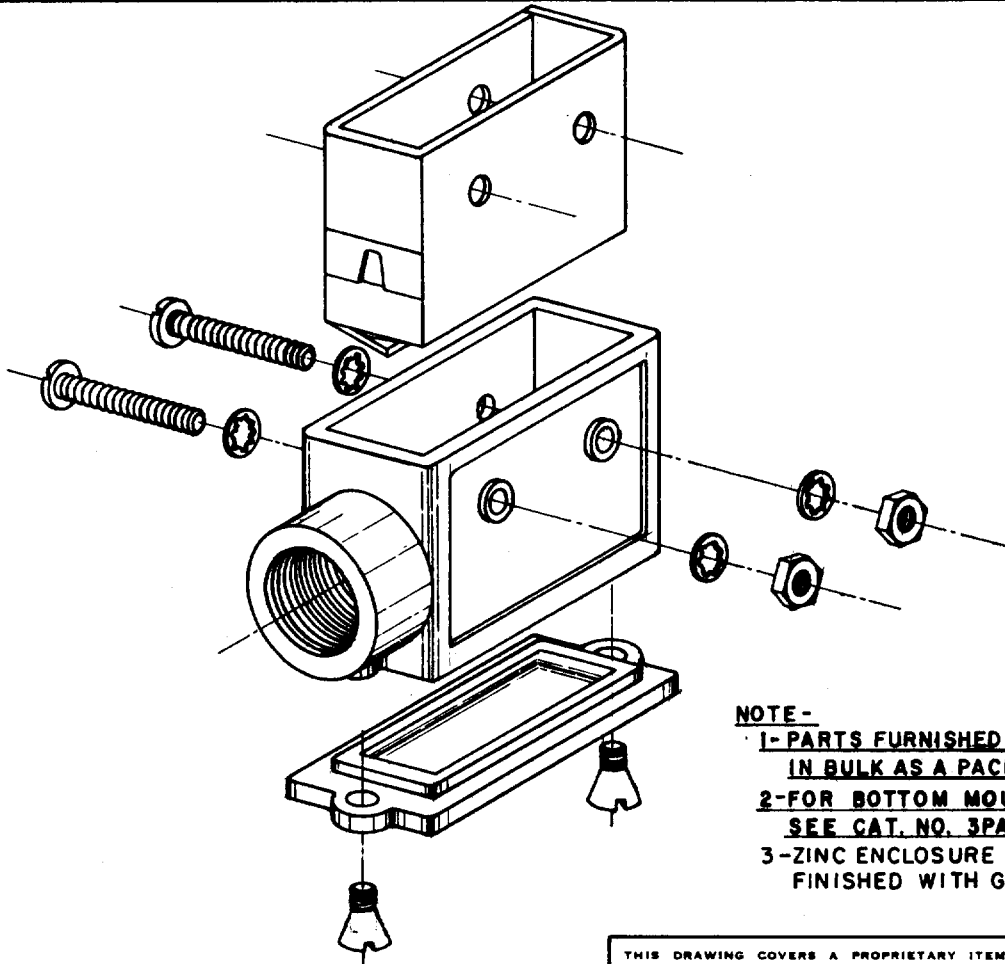
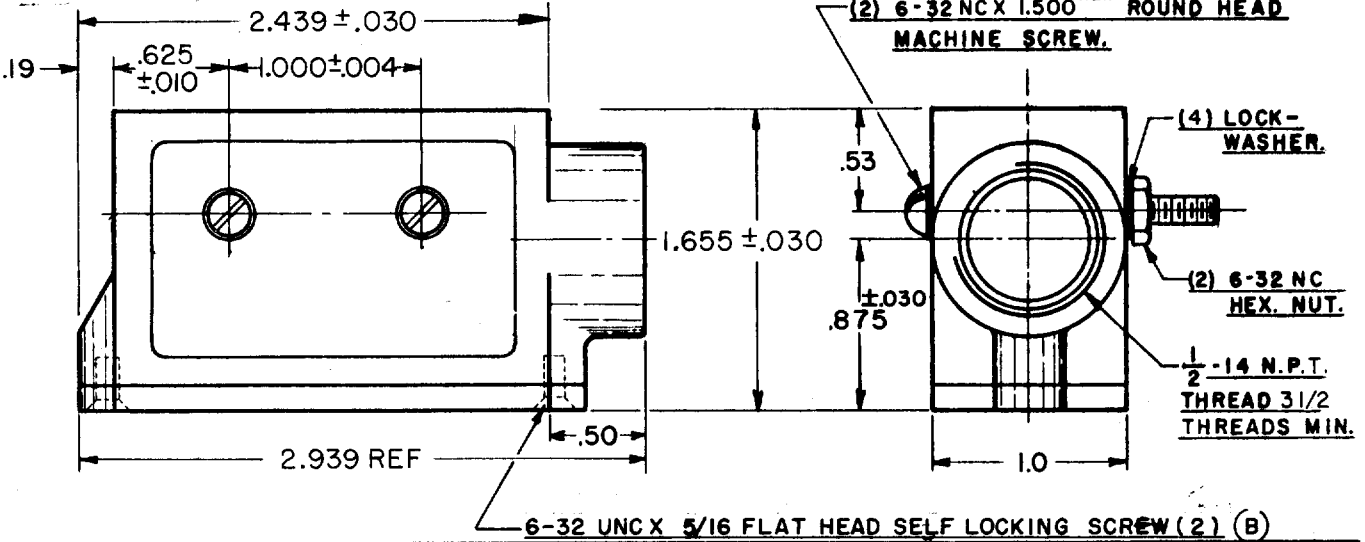
CHECK

CHECK

CHECK

CHECK

CHECK



NOTE -
 1-PARTS FURNISHED UNASSEMBLED
 IN BULK AS A PACKET.
 2-FOR BOTTOM MOUNTING UNIT
 SEE CAT. NO. 3PA2.
 3-ZINC ENCLOSURE
 FINISHED WITH GRAY PAINT

THIS DRAWING COVERS A PROPRIETARY ITEM AND IS THE PROPERTY OF MICRO SWITCH, A DIVISION OF HONEYWELL. THIS DRAWING IS NOT TO BE COPIED OR USED WITHOUT THE APPROVAL OF MICRO SWITCH.

CHARACTERISTICS

ELECTRICAL DATA

SCALE - FULL

CONTACT ARRANGEMENT

DO NOT SCALE PRINT

UNLESS OTHERWISE SPECIFIED
 DIMENSIONS ARE IN INCHES
TOLERANCES ARE:

ONE PLACE (.0) $\pm .030$
 TWO PLACE (.00) $\pm .015$
 THREE PLACE (.000) $\pm .005$
 ANGLES \pm

WEIGHT

DRAWN

K.A.F. 8 MAY 57

FO-80378