

MICRO SWITCH

A DIVISION OF MINNEAPOLIS-HONEYWELL REGULATOR COMPANY
 FREEPORT, MINNESOTA
 FED. MFR. CODE 91929

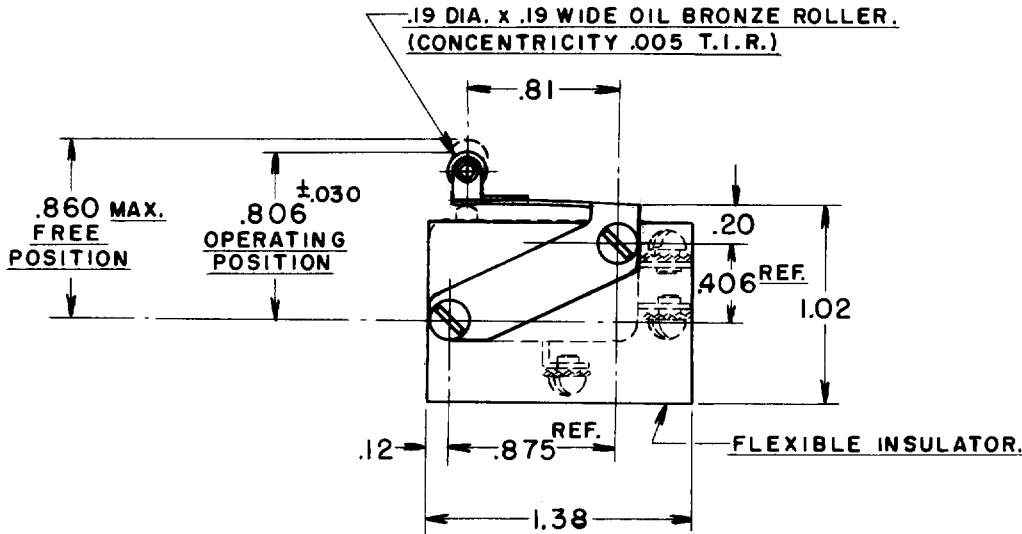
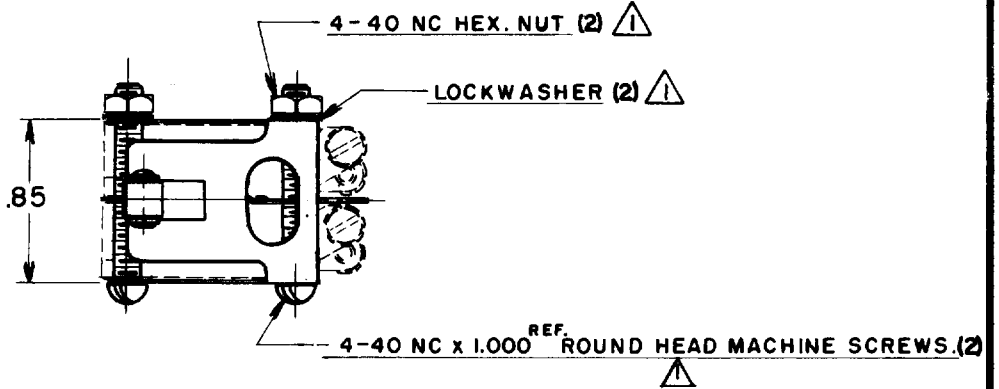
ACTUATOR-SWITCH

CATALOG LISTING

JV-82

FAA-PMA

FORMTEK
 FO-50378
 DRAWN
 R. G. C. 12, AUG. '57
 CHECK
 GCH 21 MAY 59
 DLT
 2 DEC 98
 F C093327
 DHD
 22 APR 93
 E C074163
 7 FEB 75
 RER
 FEB 75
 D C034626
 MJB
 22 JUN 70
 C CO-27609
 AFP
 20 AUG 59
 B C013972
 R L H
 15 MAY 59
 X15674
 WAS
 REVISIONS
 CHECK
 13 AUG 57
 BLS
 CHECK
 21 MAY 59
 7
 ISSUE
 DRAWING NUMBER
 M
 PAGE 1 OF 1
 JV-82
 RELEASE NO. SR 8233
 REPLACES



NOTES

- ⚠ FURNISHED UNASSEMBLED
- 2- SWITCHES DO NOT NECESSARILY OPERATE SIMULTANEOUSLY
- 3 - MARKING ON INDIVIDUAL PACKAGES OF ACTUATORS SHALL INCLUDE FAA-PMA

THIS DRAWING COVERS A PROPRIETARY ITEM AND IS THE PROPERTY OF MICRO SWITCH, A DIVISION OF HONEYWELL. THIS DRAWING IS NOT TO BE COPIED OR USED WITHOUT THE APPROVAL OF MICRO SWITCH.

CHARACTERISTICS WITH (2)V3-1 BASIC SWITCH INSTALLED	
OPERATING FORCE	28 OZ. MAX.
RELEASE FORCE	10 OZ. MIN.
OVERTRAVEL	.035 MIN.

ELECTRICAL DATA	
CONTACT ARRANGEMENT	BREAK DISTANCE

SCALE FULL		
DO NOT SCALE PRINT		
UNLESS OTHERWISE SPECIFIED		
DIMENSIONS ARE IN INCHES		
TOLERANCES ARE:		
ONE PLACE	(.0)	±.030
TWO PLACE	(.00)	±.015
THREE PLACE	(.000)	±.005
ANGLES		±
WEIGHT		