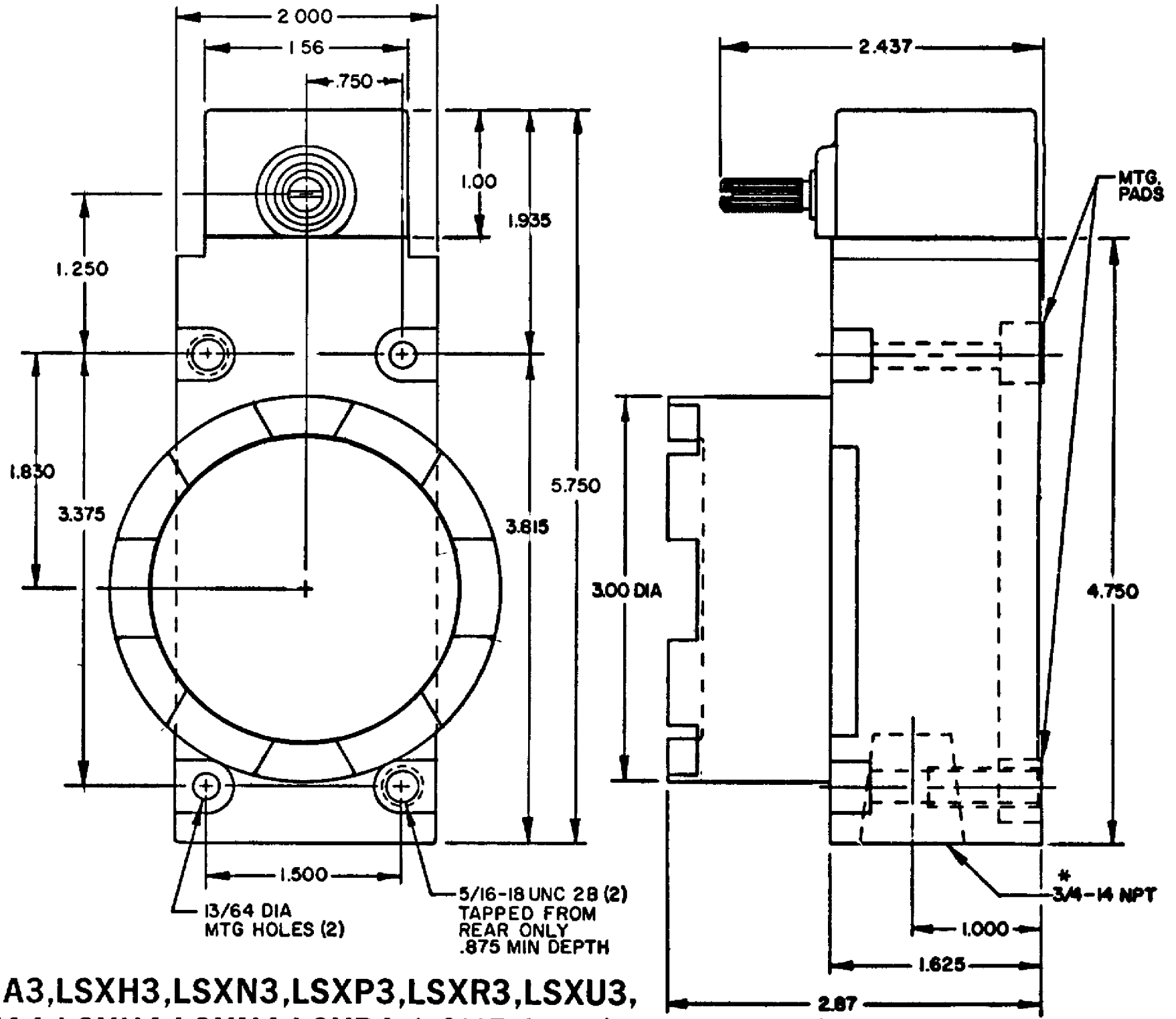
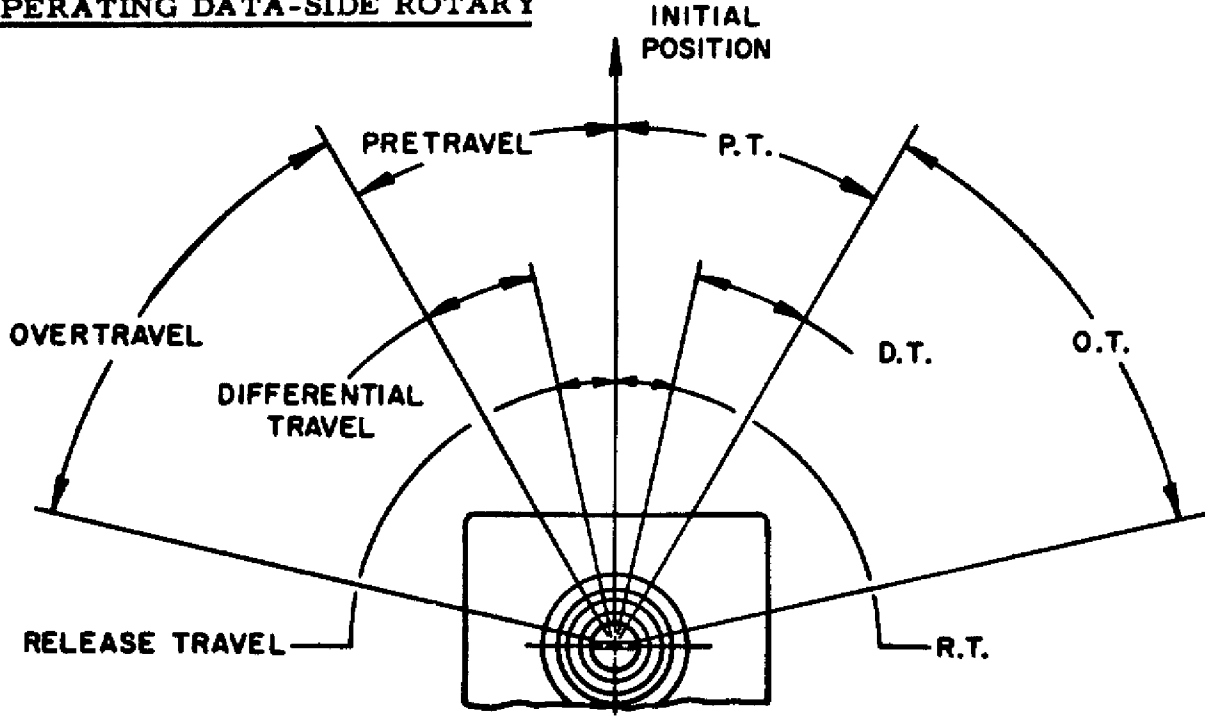


SIDE ROTARY

NOTE
 1 - EXPLOSION PROOF-UNDERWRITERS LAB INC. LISTED FOR HAZARDOUS LOCATIONS CLASS I, GROUPS B,C, AND D; CLASS II GROUPS E,F AND G

OPERATING DATA-SIDE ROTARY



TYPE LSXA3,LSXH3,LSXN3,LSXP3,LSXR3,LSXU3, LSXA4,LSXH4,LSXN4,LSXP4,LSXR4 and LSXM4 and LSXU4
 *(LSXA3,LSXH3,LSXN3 LSXP3,LSXR3 and LSXU3 HAVE 1/2-14 NPT CONDUIT OPENINGS)

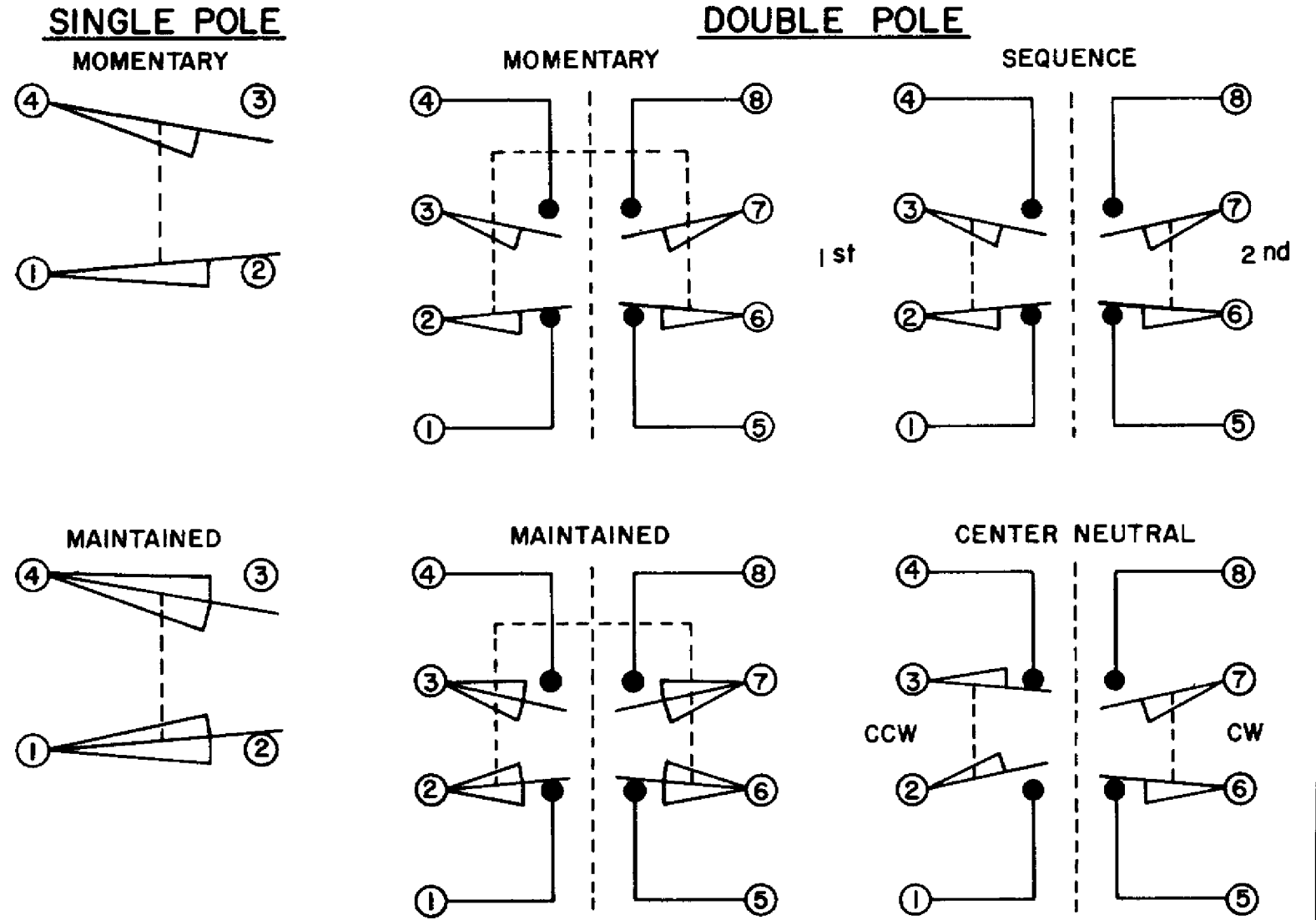
ELECTRICAL RATINGS

10 AMP CONT.

| A.C. VOLTAGE | AMPS AT .35 POWER FACTOR | | | |
|--------------|--------------------------|-------|-------------|-------|
| | SINGLE POLE | | DOUBLE POLE | |
| | MAKE | BREAK | MAKE | BREAK |
| 120 | 60 | 6 | 30 | 3 |
| 240 | 30 | 3 | 15 | 1.5 |
| 480 | 15 | 1.5 | 7.5 | .75 |
| 600 | 12 | 1.2 | 6 | .6 |

| D.C. VOLTAGE | MAKE & BREAK INDUCTIVE | RESISTIVE |
|--------------|------------------------|-----------|
| 120 | 0.25 | 0.80 |
| 240 | 0.15 | 0.40 |

WIRING BASIC SWITCH (SAME POLARITY MUST BE OBSERVED)



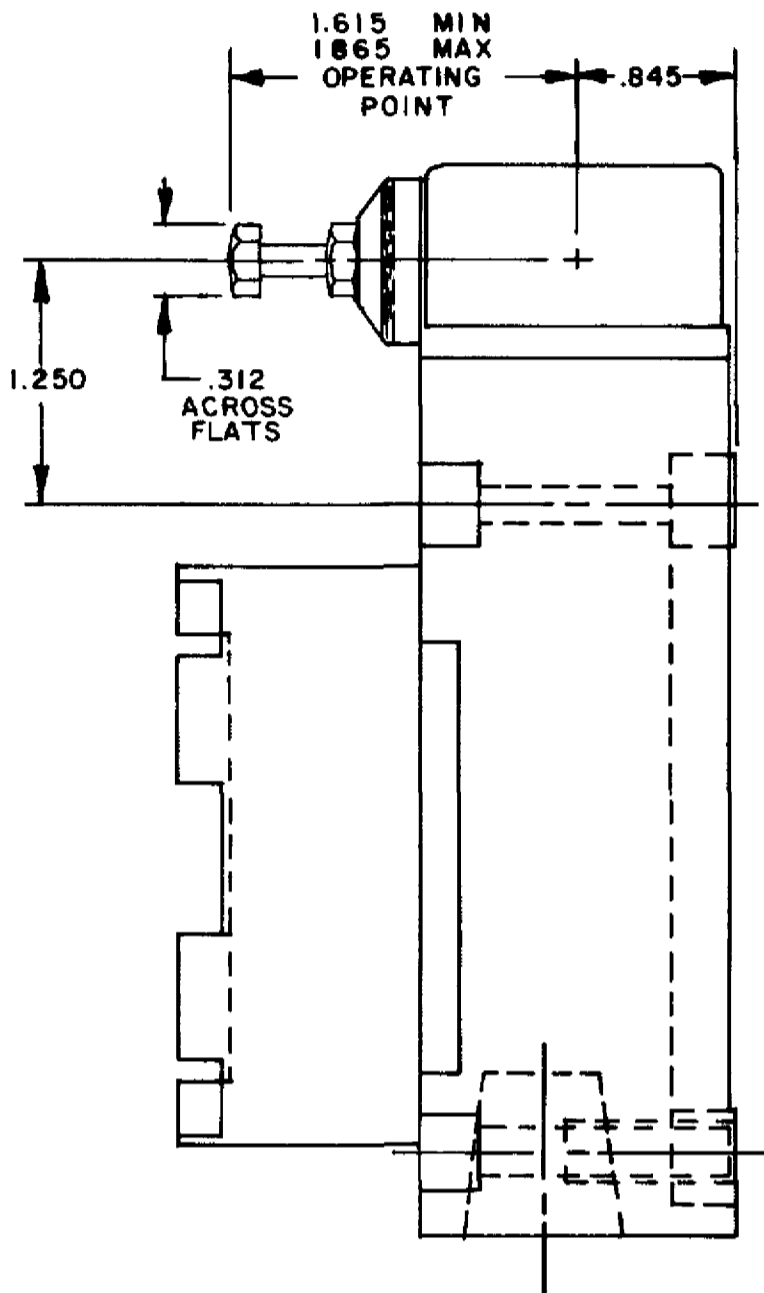
| OPERATING CHARACTERISTICS | LSXA MOMENTARY | | LSXR MOMENTARY LOW TORQUE | | LSXN MAINTAINED | LSXP MOMENTARY LOW PRETRAVEL AND DIFF. TRAVEL | | LSXH MOMENTARY LOW PRETRAVEL AND LOW TORQUE | | LSXL SEQUENCE DOUBLE POLE ONLY | LSXM CENTRAL NEUTRAL DOUBLE POLE ONLY | LSXU LOW PRETRAVEL | |
|---------------------------|----------------|-------------|---------------------------|-------------|-----------------|-----------------------------------------------|-------------|---------------------------------------------|-------------|-----------------------------------------|---------------------------------------|--------------------|-------------|
| | Single Pole | Double Pole | Single Pole | Double Pole | | Single Pole | Double Pole | Single Pole | Double Pole | | | Single Pole | Double Pole |
| PRETRAVEL (MAX) | 15° | 15° | 15° | 15° | 65° | 9° | 9° | 9° | 9° | 1st Step 15° 2nd Step 10° Additional | 18° | 5° | |
| OVERTRAVEL (MIN) | 60° | 60° | 60° | 60° | 20° | 68° | 68° | 68° | 68° | 48° | 57° | 70° | |
| DIFFERENTIAL TRAVEL (MAX) | 5° | 7° | 5° | 7° | 40° | 3° | 4° | 3° | 4° | 5° | 10° | 5° | 4° |
| TOTAL TRAVEL (REF) | 75° | 75° | 75° | 75° | 90° | 75° | 75° | 75° | 75° | 75° | 75° | 75° | |
| OPERATING TORQUE (MAX) | 4 IN. LBS | 1.7 IN. LBS | 4 IN. LBS | 1.7 IN. LBS | 4 IN. LBS | 4 IN. LBS | 1.7 IN. LBS | 4 IN. LBS | 1.7 IN. LBS | 4 IN. -LBS | 4 IN. -LBS. | 4 IN. LBS | |
| FULL TRAVEL TORQUE (MAX) | 4 IN. LBS | 1.7 IN. LBS | — | — | — | 4 IN. LBS | 1.7 IN. LBS | 4 IN. LBS | 1.7 IN. LBS | 4 IN. -LBS | 4 IN. -LBS | 4 IN. LBS | |

MICRO SWITCH a Honeywell Division
 SWITCH - ENCLOSED
 LSX SERIES CHART 1
 THIS DRAWING COVERS A PROPRIETARY ITEM AND IS THE PROPERTY OF MICRO SWITCH, A DIVISION OF HONEYWELL. THIS DRAWING IS NOT TO BE COPIED OR USED WITHOUT THE APPROVAL OF MICRO SWITCH.
 CATALOG LISTING
 ONE PLACE (0) 1.020
 TWO PLACES (00) 1.015
 THREE PLACES (000) 1.005
 ANGLES
 DO NOT SCALE PRINT
 UNLESS OTHERWISE SPECIFIED
 TOLERANCES ARE
 THIRD ANGLE PROJECTION
 SCALE
 PAGE 1 OF 3

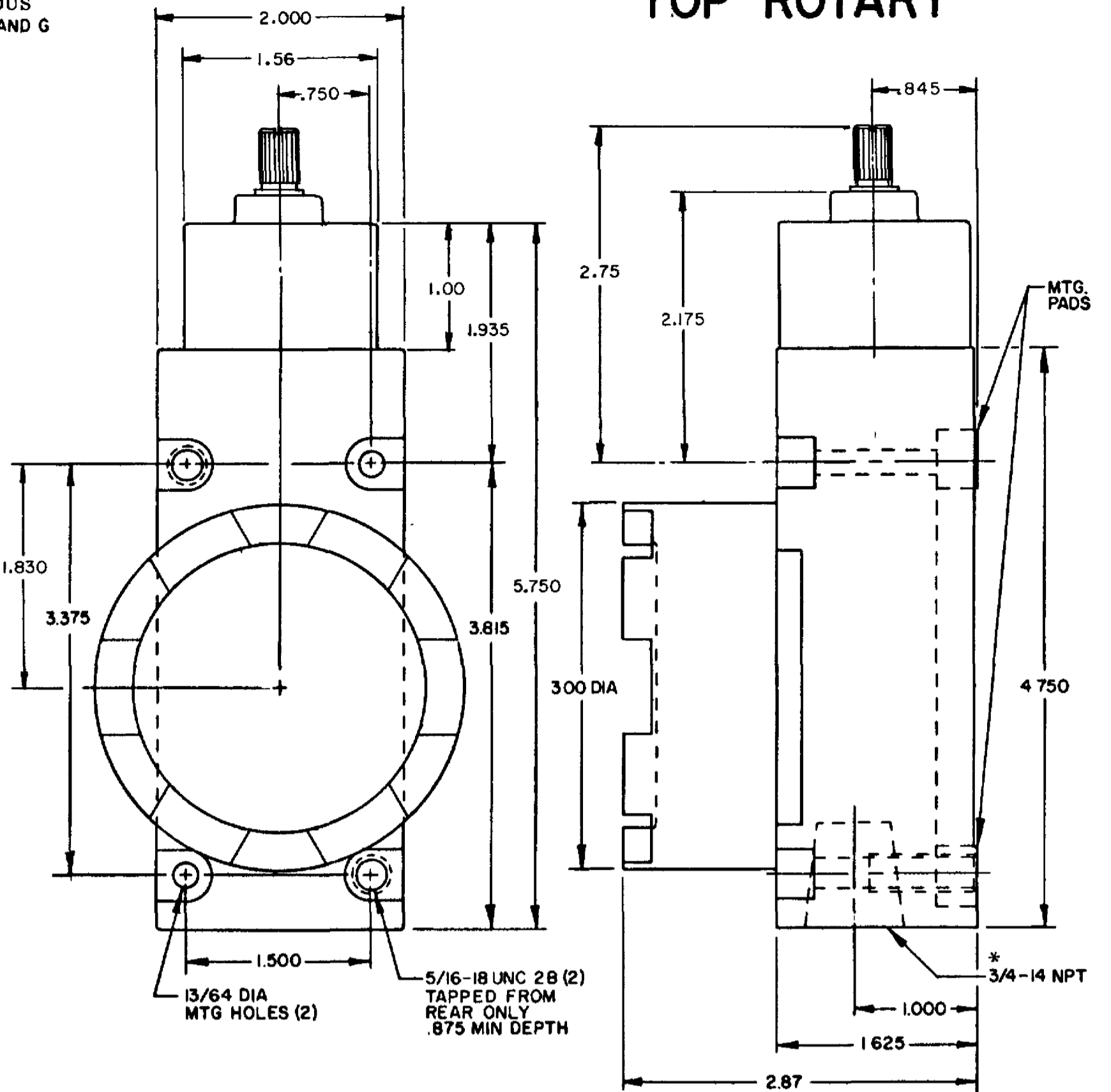
M LSX SERIES CHART 1 PAGE 1 OF 3

NOTE
1 - EXPLOSION PROOF-UNDERWRITERS LAB INC. LISTED FOR HAZARDOUS LOCATIONS CLASS I, GROUPS B,C, AND D; CLASS II GROUPS E,F AND G

| | SINGLE POLE | DOUBLE POLE |
|-------------------------|--------------|--------------|
| PRETRAVEL MAX | 35° | 35° |
| OVERTRAVEL MIN | 100° | 100° |
| DIFFERENTIAL TRAVEL MAX | 8° | 12° |
| OPERATING TORQUE MAX | 2.5 IN. LBS. | 2.5 IN. LBS. |
| TOTAL TRAVEL (REF) | 135° | 135° |

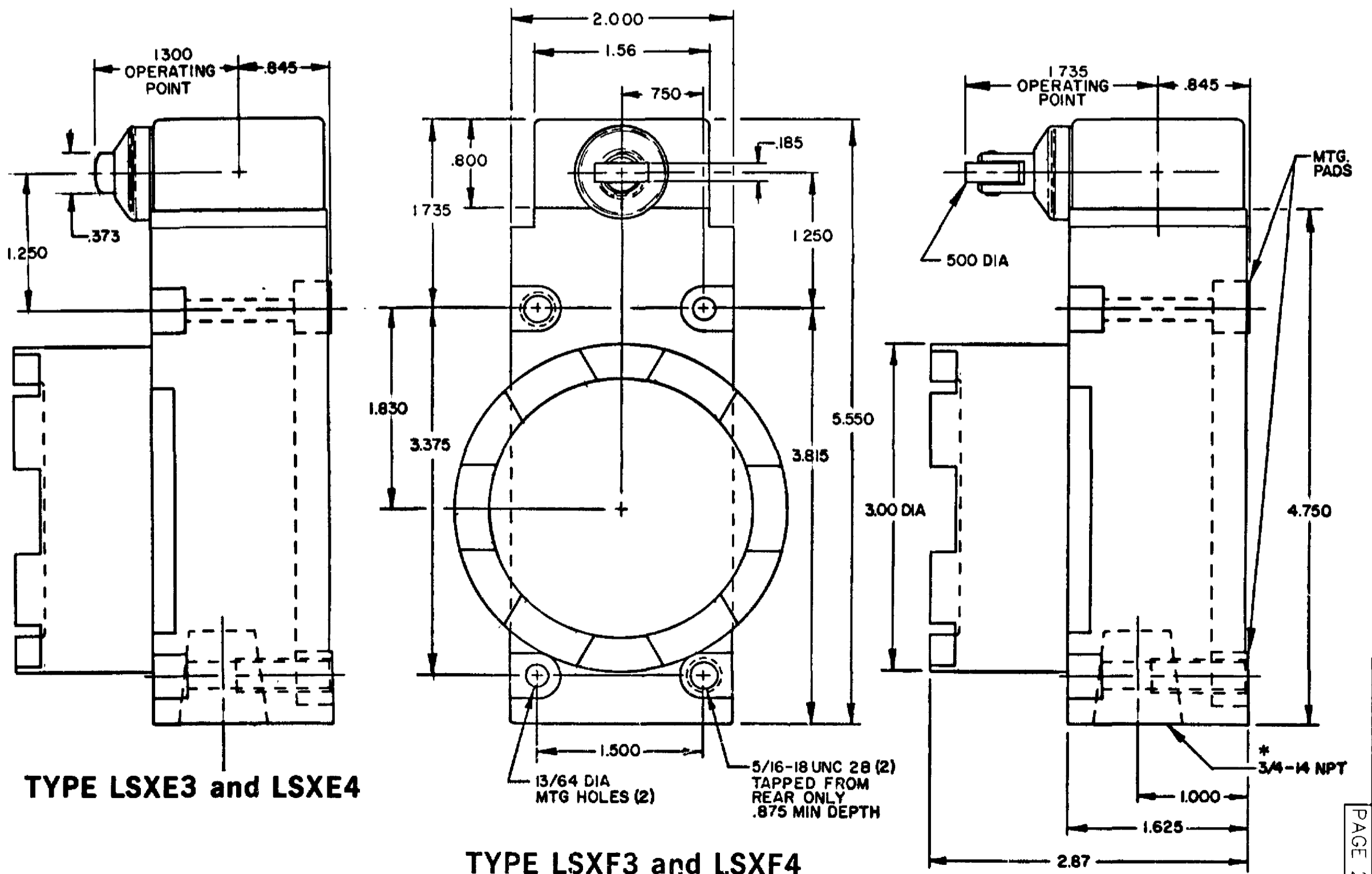


TYPE LSXW3 and LSXW4



TYPE LSXB3 and LSXB4 (LSXB3 HAS A 1/2-14 NPT CONDUIT OPENING)

SIDE PLUNGER TYPE



TYPE LSXE3 and LSXE4

TYPE LSXF3 and LSXF4

*(LSXE3 and LSXF3 HAVE 1/2-14 NPT CONDUIT OPENINGS)

MICRO SWITCH
a Honeywell Division
FED. MFG. CODE 81828

SWITCH - ENCLOSED

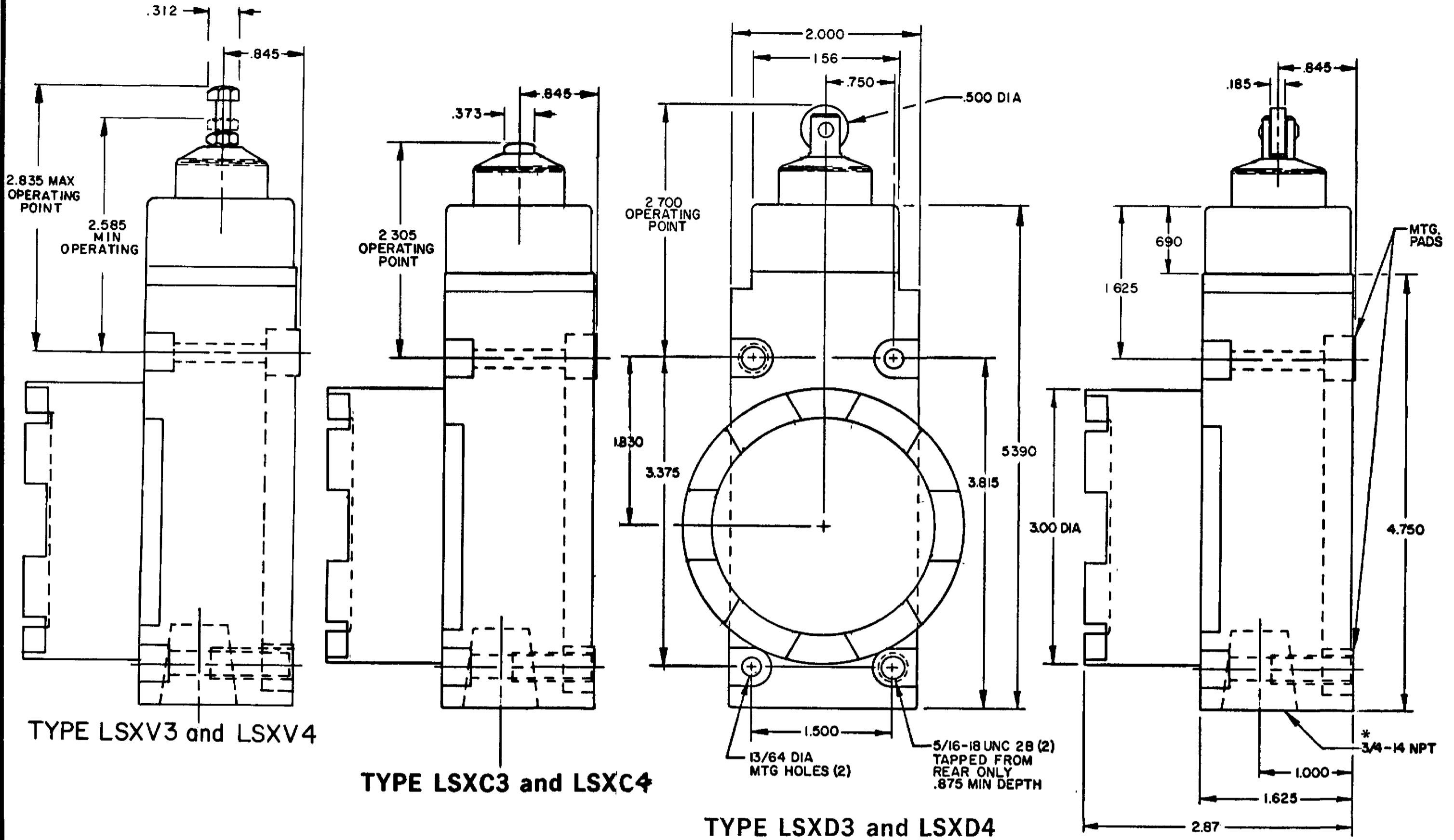
LSX SERIES
CHART 1

THIS DRAWING COVERS A PROPRIETARY ITEM AND IS THE PROPERTY OF MICRO SWITCH, A DIVISION OF HONEYWELL. THIS DRAWING IS NOT TO BE COPIED OR USED WITHOUT THE APPROVAL OF MICRO SWITCH.

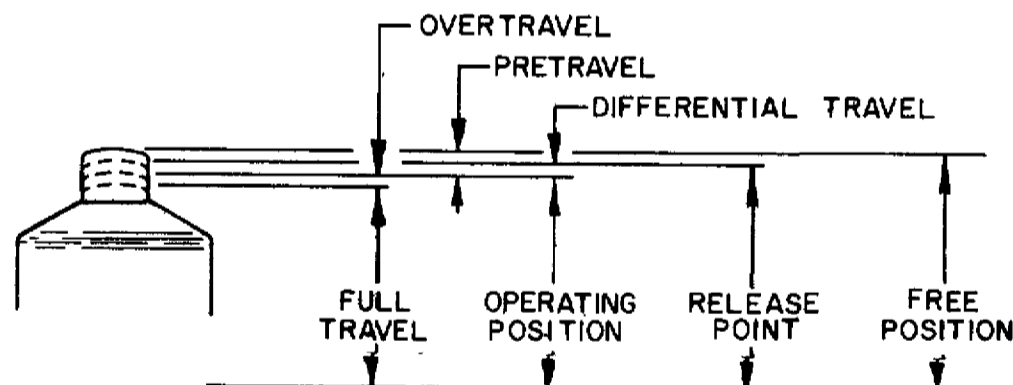
PAGE 2 OF 3

| | |
|------------------------------------------------|------------------------|
| WEIGHT | |
| DESIGN LIMITS | |
| SCALE | THIRD ANGLE PROJECTION |
| DO NOT SCALE PRINT | |
| TOLERANCES | |
| APPLY TO DIMENSIONS UNLESS OTHERWISE SPECIFIED | |
| FRACTIONS | |
| DECIMALS | |
| ANGLES | |
| THREADS | |
| KEYWAYS | |
| KEYS | |
| HOLES | |
| SPACINGS | |
| PROTECTIVE COATING AND FINISH | |

PLUNGER TYPE TOP



*(LSXC3 and LSXD3 HAVE 1/2-14 NPT CONDUIT OPENINGS)



MICRO SWITCH
 a Honeywell Division
 FED. WFO CODE 91929
SWITCH - ENCLOSED
 PAGE 3 OF 3
LSX SERIES
 CHART 1

OPERATING POINT GIVEN IN RELATION TO TOP MOUNTING HOLES

TOP PLUNGER TYPES

| CHARACTERISTICS | LSXC PLUNGER | | LSXD ROLLER PLUNGER | | LSXV ADJUSTABLE PLUNGER | | SEQUENCE BASIC | | |
|-----------------------------|--------------|-------------|---------------------|-------------|-------------------------|-------------|-------------------------------------------------|------|------|
| | SINGLE POLE | DOUBLE POLE | SINGLE POLE | DOUBLE POLE | SINGLE POLE | DOUBLE POLE | LSXC | LSXD | LSXV |
| PRETRAVEL (MAX) | .070 | | .070 | | .070 | | 1ST STEP .070 | | |
| DIFFERENTIAL TRAVEL (MAX) | .015 | .020 | .015 | .020 | | | 2ND STEP .016 MIN ADD'L | | |
| OVERTRAVEL (MIN) | .190 | | .190 | | .190 | | .170 | | |
| OPERATING FORCE (MAX) | 4 LBS | | 4 LBS | | 4 LBS | | 4 LBS | | |
| OPERATING POINT | 2.305 ± .030 | | 2.700 ± .040 | | 2.585 MIN 2.835 MAX | | 1ST STEP | | |
| FULL OVERTRAVEL FORCE (MAX) | 7 LBS | | 7 LBS | | 7 LBS | | 1.815±.030 2.210±.040 2.095 MIN / 2.345 MAX | | |

OPERATING POINT GIVEN IN RELATION TO CENTER OF HEAD

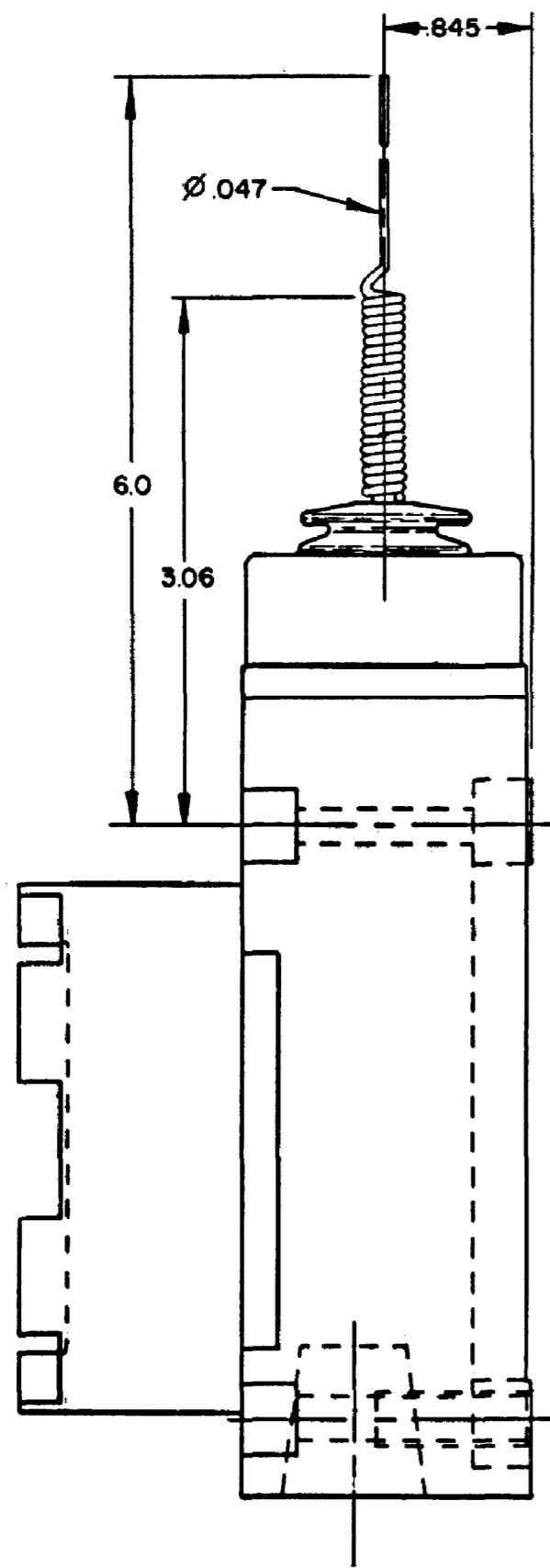
SIDE PLUNGER TYPES

| CHARACTERISTICS | LSXE PLUNGER | LSXF ROLLER PLUNGER | LSXW ADJUSTABLE PLUNGER | SEQUENCE BASIC | | |
|-----------------------------|--------------|---------------------|-------------------------|-------------------------|------------|-----------------------|
| | | | | LSXE | LSXF | LSXW |
| PRETRAVEL (MAX) | .100 | .100 | .100 | 1ST STEP .100 | | |
| DIFFERENTIAL TRAVEL (MAX) | .045 | .045 | .045 | 2ND STEP .020 MIN ADD'L | | |
| OVERTRAVEL (MIN) | .190 | .190 | .190 | .170 | | |
| OPERATING FORCE (MAX) | 6 LBS | | | 6 LBS | | |
| OPERATING POINT | 1.300 ± .030 | 1.735 ± .040 | 1.615 MIN 1.865 MAX | 1ST STEP | | |
| FULL OVERTRAVEL FORCE (MAX) | 6 LBS | 6 LBS | 6 LBS | 1.310±.030 | 1.745±.040 | 1.625 MIN / 1.875 MAX |

NOTE
 1 - EXPLOSION PROOF-UNDERWRITERS LAB INC. LISTED FOR HAZARDOUS LOCATIONS CLASS I, GROUPS B,C, AND D; CLASS II GROUPS E,F AND G

M
 LSX SERIES
 CHART 1
 PAGE 3 OF 3

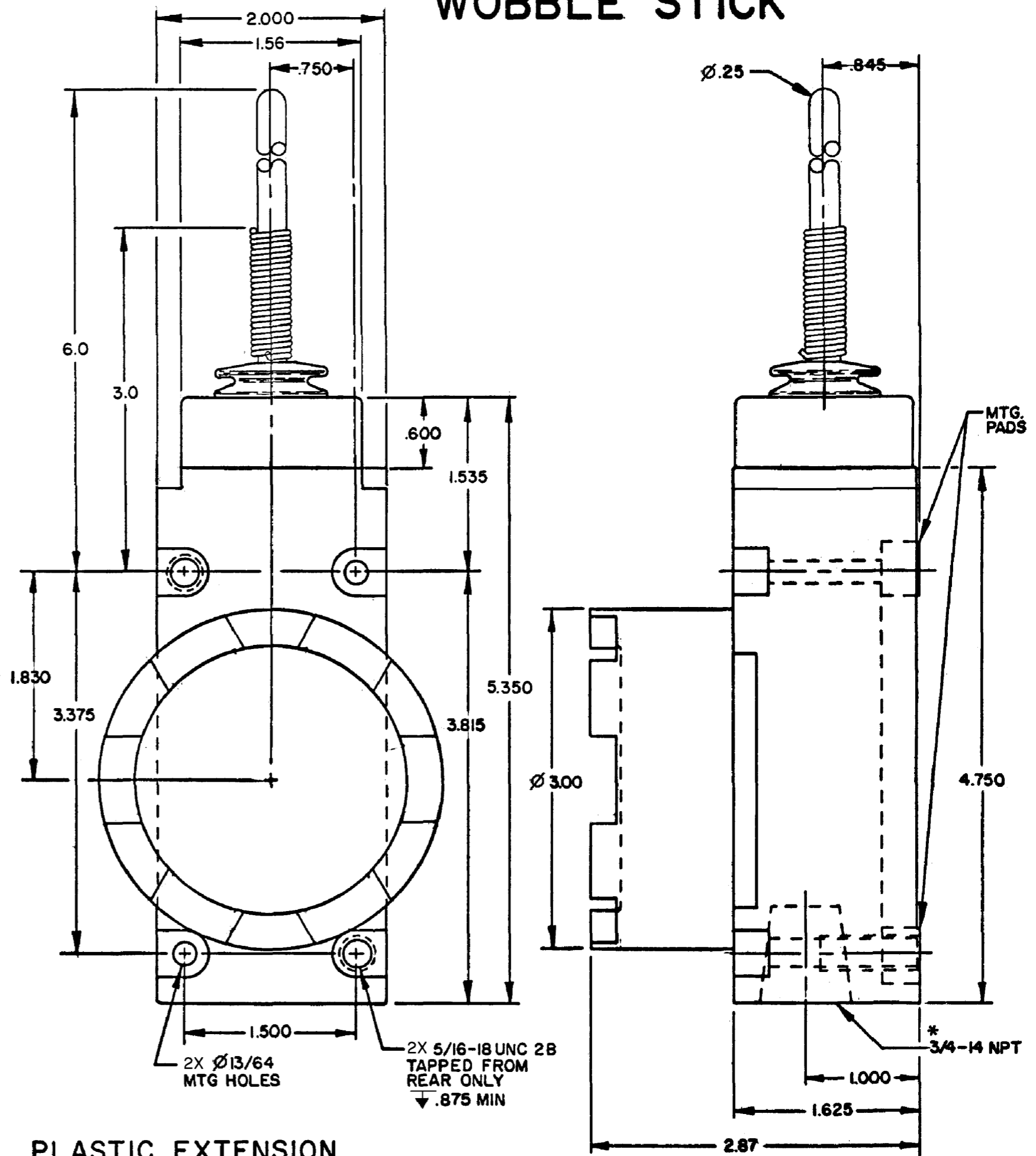
CAT WHISKER



**WIRE EXTENSION
 TYPE 8A ACTUATOR**

**TYPE LSXK3 and LSXK4
 (LSXK3 HAS 1/2-14 NPT CONDUIT OPENING)
 REPLACEMENT ACTUATOR
 LSXZ-4012**

WOBBLE STICK



**PLASTIC EXTENSION
 TYPE 7A ACTUATOR**

**TYPE LSXJ3 and LSXJ4
 (LSXJ3 HAS 1/2-14 NPT CONDUIT OPENING)**

**REPLACEMENT ACTUATOR
 LSZ-4009**

NOTE
 1 - EXPLOSION PROOF-UNDERWRITERS LAB INC. LISTED FOR HAZARDOUS LOCATIONS CLASS I, GROUPS B,C, AND D; CLASS II GROUPS E,F AND G

| | CAT WHISKER | WOBBLE STICK |
|----------------------------|-------------|--------------|
| PRETRAVEL (APPROX) | 6" WIRE | ROD |
| IN. RADIUS | 2 | 1.0 |
| OPERATING FORCE - OZ (MAX) | 5.0 | 10.0 |

MASTER REDUCED

MICRO SWITCH
 a Honeywell Division
 FED. REG. CODE 91929
 THIS DRAWING COVERS A PROPRIETARY ITEM AND IS THE PROPERTY OF MICRO SWITCH, A DIVISION OF HONEYWELL. THIS DRAWING IS NOT TO BE COPIED OR USED WITHOUT THE APPROVAL OF MICRO SWITCH.
SWITCH - ENCLOSED
 CATALOG LISTING
LSX SERIES CHART 1

THIRD ANGLE PROJECTION
 SCALE NONE
 DO NOT SCALE PRINT
 UNLESS OTHERWISE SPECIFIED
 ONE PLACE (0) ±.030
 TWO PLACES (.00) ±.015
 THREE PLACES (.000) ±.005
 ANGLES ±