

MICRO SWITCH

A DIVISION OF MINNEAPOLIS-HONEYWELL REGULATOR COMPANY
FREEPORT, ILLINOIS

FED. MFR. CODE 91929

ACTUATOR-SWITCH

CATALOG LISTING

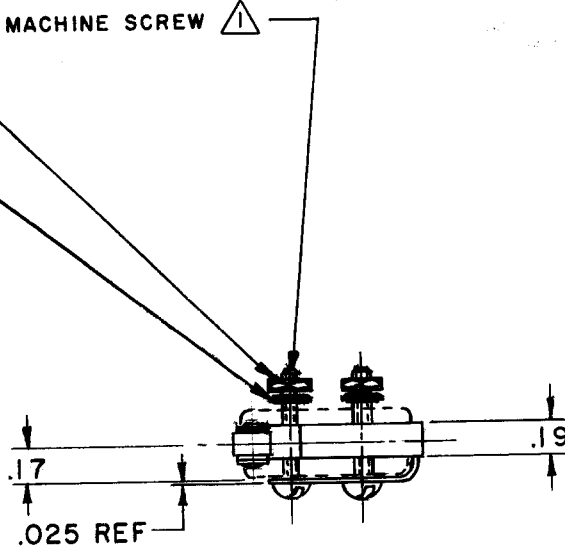
JE-17

5

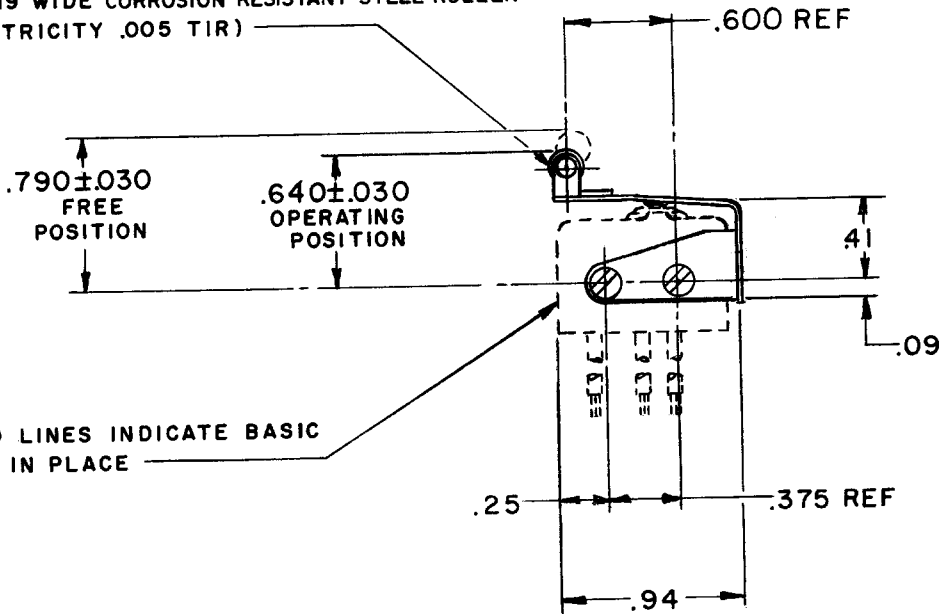
(2) 2-56 NC X.625 REF ROUND HEAD MACHINE SCREW \triangle

(2) 2-56 NC HEX NUT \triangle

(2) LOCKWASHER \triangle



.19 DIA X.19 WIDE CORROSION RESISTANT STEEL ROLLER
(CONCENTRICITY .005 TIR)



DOTTED LINES INDICATE BASIC SWITCH IN PLACE

NOTE - \triangle FURNISHED UNASSEMBLED

THIS DRAWING COVERS A PROPRIETARY ITEM AND IS THE PROPERTY OF MICRO SWITCH, A DIVISION OF MINNEAPOLIS-HONEYWELL REGULATOR CO. THIS DRAWING IS NOT TO BE COPIED OR USED WITHOUT THE APPROVAL OF MICRO SWITCH.

CHARACTERISTICS (WITH ISEI BASIC SWITCH INSTALLED)

OPERATING FORCE ----- 12 OZ MAX
RELEASE FORCE ----- 2 OZ MIN
DIFFERENTIAL TRAVEL ----- .025 MAX
OVERTRAVEL ----- .015 MIN

ELECTRICAL DATA

CONTACT ARRANGEMENT

SCALE FULL

DO NOT SCALE PRINT

UNLESS OTHERWISE SPECIFIED
DIMENSIONS ARE IN INCHES

TOLERANCES ARE:
ONE PLACE (.0) $\pm .030$
TWO PLACE (.00) $\pm .015$
THREE PLACE (.000) $\pm .008$
ANGLES \pm

WEIGHT

JE-17

M

DRAWING NUMBER

9

ISSUE

REVISIONS

A	MADE MPS	23 OCT 62
B	SR 10600	31 OCT 62
C	OMW CO17824	26 FEB 63
D	DWV CO47771	17 MAY 80
E	CO 61293	14 APR 87
F	WJM CO69723	6 MAR 91
G	TSM CO74078	25 NOV 92
H	LJF CO79303	
	DLT	3 MAR 95

REPLACES

RELEASE NO. MPS SR 10600

CHECK

22 JUNE 60

FWF

21 JUNE 60

FWF

22 JUNE 60

FWF

22 JUNE 60

FWF

22 JUNE 60

FWF

22 JUNE 60

FWF

22 JUNE 60

FWF

22 JUNE 60

FWF

22 JUNE 60

FWF

22 JUNE 60

FWF

22 JUNE 60

FWF

22 JUNE 60

FWF

22 JUNE 60

FWF

22 JUNE 60

FWF

22 JUNE 60

FWF

22 JUNE 60

FWF

22 JUNE 60

FWF

22 JUNE 60

FWF

22 JUNE 60

FWF