

MICRO SWITCH

A DIVISION OF MINNEAPOLIS-HONEYWELL REGULATOR COMPANY
 FREEPORT, ILLINOIS

FED. MFR. CODE 91929

ACTUATOR - SWITCH

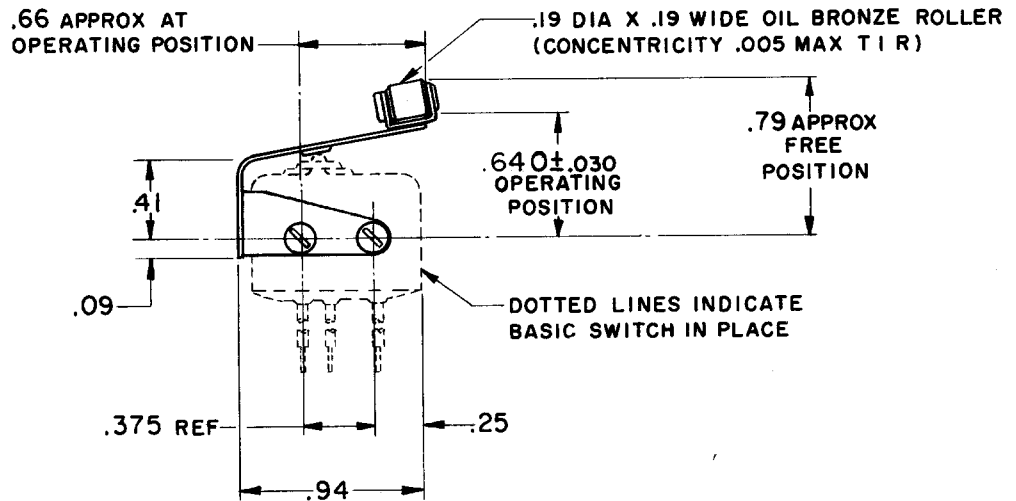
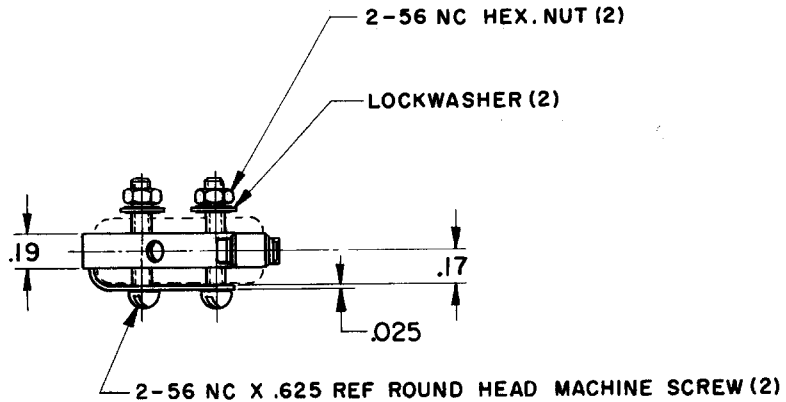
CATALOG LISTING

JE-4

5

M JE-4
 DRAWING NUMBER
 ISSUE X 5
 REVISIONS
 A SR9466 L S D 7 FEB 61
 B C047771 C V H 17 MAY 80
 C C074078 L J F 25 NOV 92
 D C074078 L J F 25 NOV 92
 E C079303 D L T 2 MAR 95
 CHECK
 RED 14 OCT 58
 CHECK
 14 OCT 58
 R. E. R.
 DRAWN
 FO-50378

REPLACES RELEASE NO. SR 9466



NOTE -
 1 - SCREWS, NUTS, AND LOCKWASHERS FURNISHED UNASSEMBLED

THIS DRAWING COVERS A PROPRIETARY ITEM AND IS THE PROPERTY OF MICRO SWITCH, A DIVISION OF MINNEAPOLIS-HONEYWELL REGULATOR CO. THIS DRAWING IS NOT TO BE COPIED OR USED WITHOUT THE APPROVAL OF MICRO SWITCH.

CHARACTERISTICS WITH ISEI BASIC SWITCH INSTALLED

OPERATING FORCE	----- 12 OZ MAX
RELEASE FORCE	----- 2 OZ MIN
DIFFERENTIAL TRAVEL	----- .025 MAX
OVERTRAVEL	----- .015 MIN

ELECTRICAL DATA

CONTACT ARRANGEMENT	BREAK DISTANCE
---------------------	----------------

SCALE FULL

DO NOT SCALE PRINT

UNLESS OTHERWISE SPECIFIED
 DIMENSIONS ARE IN INCHES
TOLERANCES ARE:
 ONE PLACE (.0) ±.030
 TWO PLACE (.00) ±.015
 THREE PLACE (.000) ±.005
 ANGLES ±

WEIGHT