

ACTUATOR-SWITCH

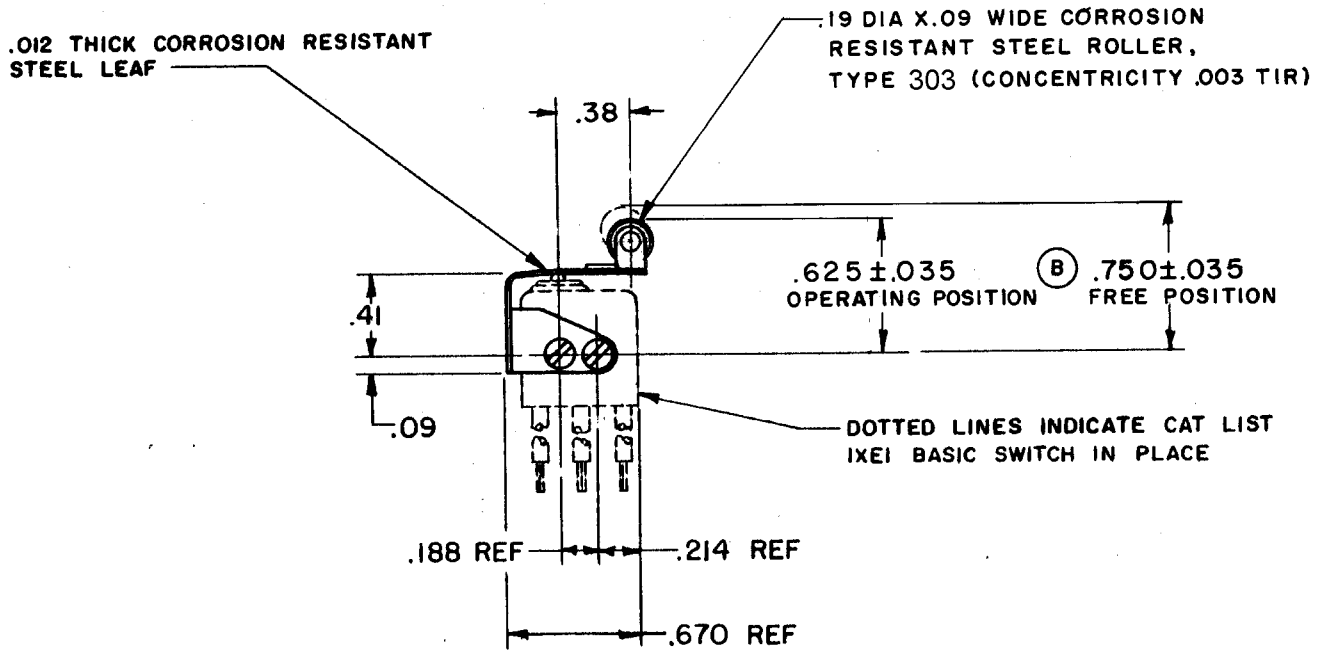
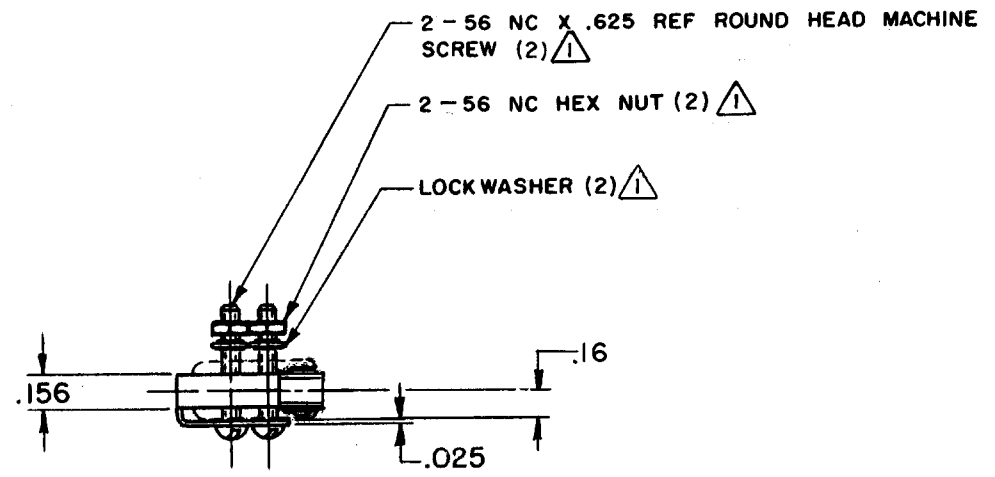
(M) SKETCH 29120
ISSUE 1

JM-5
M
DRAWING NUMBER
7
ISSUE

REVISIONS

A	0017844	OHW	26 FEB 63
B	0018559	VDF	17 OCT 63
C	0047771	CJH	17 MAY 80
D	0074078	LJF	25 NOV 92
E	0079303	DLT	6 MAR 95
F	0015428	SPK	14 SEP 05

REPLACES ISSUE 1
RELEASE NO. SR 9307
28 SEP 60
BLS
RJP
CHECK
7 NOV 60
GCH
CHECK
27 SEP 60
DRAWN
MBF



NOTE -
⚠ - FURNISHED UNASSEMBLED

CHECK	RJ	14SEP05
-------	----	---------

THIS DRAWING COVERS A PROPRIETARY ITEM AND IS THE PROPERTY OF MICRO SWITCH, A DIVISION OF MINNEAPOLIS-HONEYWELL REGULATOR CO. THIS DRAWING IS NOT TO BE COPIED OR USED WITHOUT THE APPROVAL OF MICRO SWITCH.

CHARACTERISTICS WITH IXE1 BASIC SWITCH INSTALLED
OPERATING FORCE ----- 21 OZ MAX
RELEASE FORCE ----- (A) --- 3 OZ MIN
DIFFERENTIAL TRAVEL ----- .012 MAX
OVERTRAVEL ----- .009 MIN

ELECTRICAL DATA	
CONTACT ARRANGEMENT	BREAK DISTANCE

SCALE FULL	
DO NOT SCALE PRINT	
UNLESS OTHERWISE SPECIFIED	
DIMENSIONS ARE IN INCHES	
TOLERANCES ARE:	
ONE PLACE (.0)	±.030
TWO PLACE (.00)	±.015
THREE PLACE (.000)	±.008
ANGLES	±
WEIGHT	