

(M) JS-6
 ISSUE 2

JS-6

M

DRAWING NUMBER

4

ISSUE

REPLACES

RELEASE NO.

CHECK

CHECK

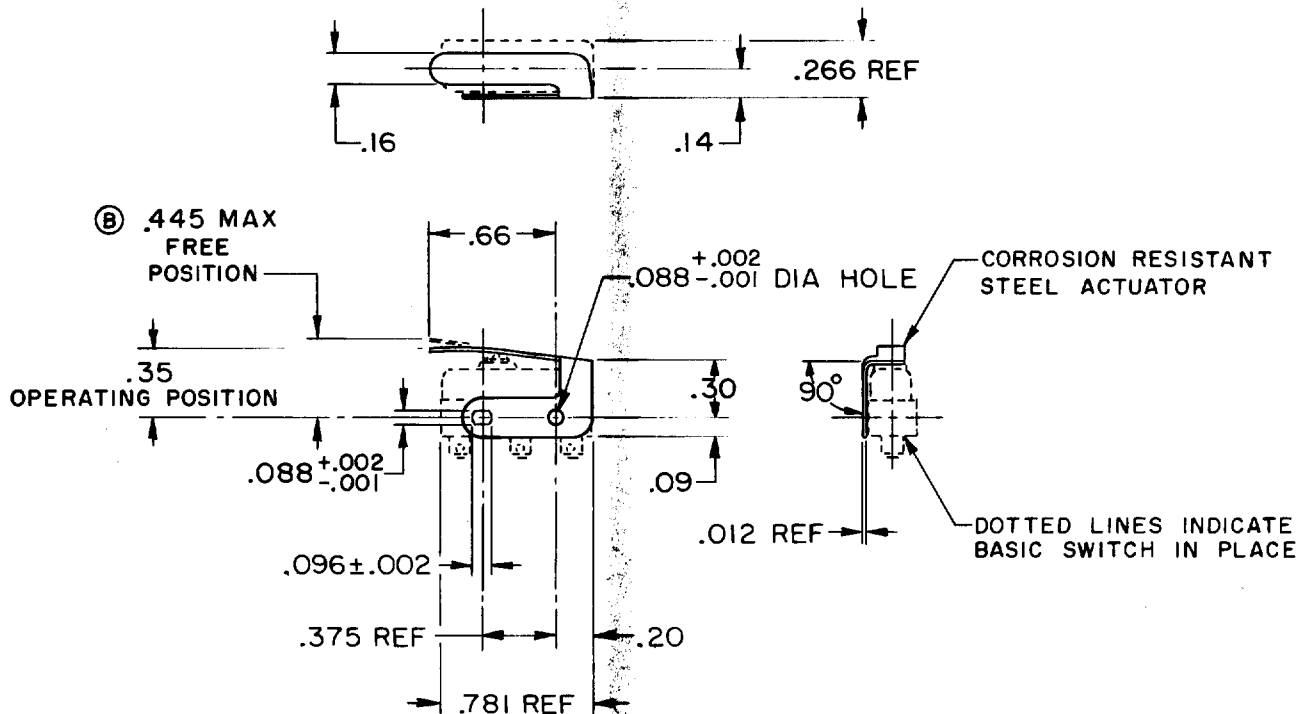
6-CH/13 MAY 59

CHECK

59 MAY 13 1959

DRAWN

FO-80378



THIS DRAWING COVERS A PROPRIETARY ITEM AND IS THE PROPERTY OF MICRO SWITCH, A DIVISION OF MINNEAPOLIS-HONEYWELL REGULATOR CO. THIS DRAWING IS NOT TO BE COPIED OR USED WITHOUT THE APPROVAL OF MICRO SWITCH.

CHARACTERISTICS WITH ISMI BASIC SWITCH INSTALLED

OPERATING FORCE	-----10 OZ MAX
RELEASE FORCE	-----② 2 OZ MIN
PRETRAVEL	-----.078 MAX
DIFFERENTIAL TRAVEL	-----.015 MAX
OVERTRAVEL	------.015 MIN

ELECTRICAL DATA

CONTACT ARRANGEMENT	BREAK DISTANCE
---------------------	----------------

SCALE - FULL

DO NOT SCALE PRINT

UNLESS OTHERWISE SPECIFIED
 DIMENSIONS ARE IN INCHES
TOLERANCES ARE:
 ONE PLACE (.0) ±.030
 TWO PLACE (.00) ±.015
 THREE PLACE (.000) ±.005
 ANGLES ± 2°

WEIGHT