

MICRO SWITCH

A DIVISION OF MINNEAPOLIS-HONEYWELL REGULATOR COMPANY
FREEPORT, ILLINOIS

FED. MFR. CODE 91929

ACTUATOR - SWITCH

CATALOG LISTING

JT-5

5

(M) JT-5
ISSUE 1

REPLACES

RELEASE NO.

11 MAY 56

CHECK

10 MAY 56

7 MAY 57

26 JUNE 58

17 MAY 56

CHECK

7 MAY 56

DRAWN

74-26

M JT-5

DRAWING NUMBER

6

ISSUE

C.N.T.

REVISIONS

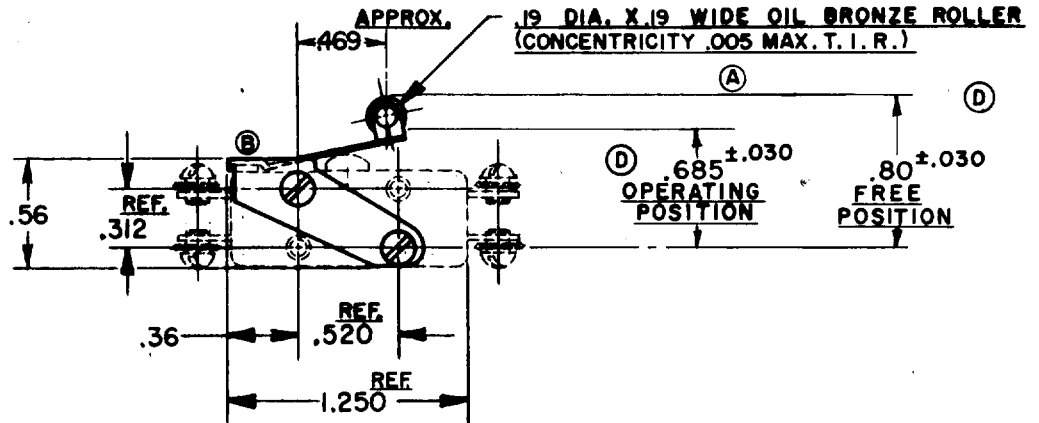
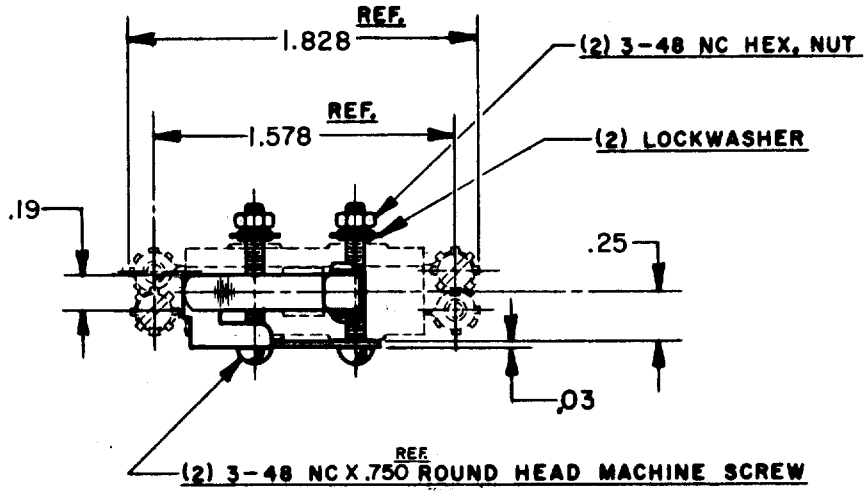
A C.O.10437
R.E.R.
7 MAY 56

B C.O.10400
K.F.M.
29 AUG. 56

C C.O.11500
Q.M.W.
7 MAY 57

D CORR.
M.B.F.
26 JUNE 58

E C074163
D.H.D.
22 APR 93



NOTE-
1-SCREWS, NUTS, AND LOCKWASHERS FURNISHED UNASSEMBLED.

THIS DRAWING COVERS A PROPRIETARY ITEM AND IS THE PROPERTY OF MICRO SWITCH, A DIVISION OF HONEYWELL. THIS DRAWING IS NOT TO BE COPIED OR USED WITHOUT THE APPROVAL OF MICRO SWITCH.

CHARACTERISTICS WITH TBI-1 BASIC SWITCH INSTALLED

OPERATING FORCE ----- 16 OZ. MAX.
RELEASE FORCE ----- 2 OZ. MIN.
DIFFERENTIAL TRAVEL ----- .062 MAX.
OVERTRAVEL ----- .025 MIN.

ELECTRICAL DATA

CONTACT ARRANGEMENT

BREAK DISTANCE

SCALE FULL

DO NOT SCALE PRINT

UNLESS OTHERWISE SPECIFIED
DIMENSIONS ARE IN INCHES
TOLERANCES ARE:
ONE PLACE (.0) ±.030
TWO PLACE (.00) ±.015
THREE PLACE (.000) ±.005
ANGLES ±

WEIGHT

(D)