

MICRO SWITCH

A DIVISION OF MINNEAPOLIS-HONEYWELL REGULATOR COMPANY
MINNETONKA, MINNESOTA

FED. MFR. CODE 91929

ACTUATOR - SWITCH

CATALOG LISTING

JX-51

5

REPLACES

RELEASE NO. SR 7760

DRAWING NUMBER

ISSUE

CHECK

REVISIONS

CHECK

DRAWN

R. E. R. 5 SEPT 58

FO-50378

JX-51

M

29

29

29

29

29

29

29

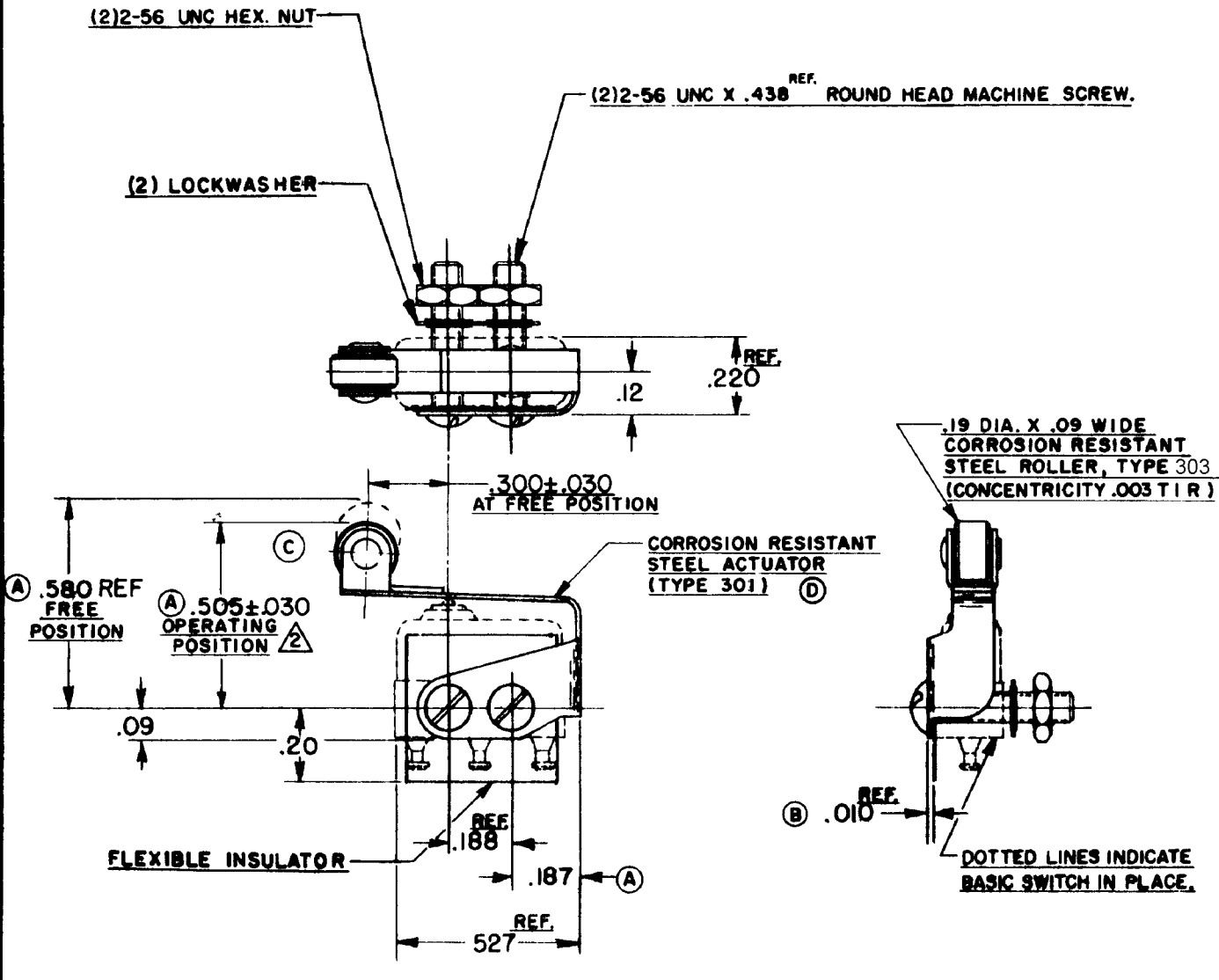
29

29

29

29

29



NOTE -
 1 - SCREWS, NUTS, LOCKWASHERS AND INSULATOR FURNISHED UNASSEMBLED.
 2 - SLIGHT ROTATION BETWEEN BASIC AND ACTUATOR MAY BE NECESSARY TO OBTAIN OPERATING POINT

CHECK RJ 14SEP05

THIS DRAWING COVERS A PROPRIETARY ITEM AND IS THE PROPERTY OF MICRO SWITCH, A DIVISION OF MINNEAPOLIS-HONEYWELL REGULATOR CO. THIS DRAWING IS NOT TO BE COPIED OR USED WITHOUT THE APPROVAL OF MICRO SWITCH.

CHARACTERISTICS WITH ISXI-T BASIC SWITCH INSTALLED		ELECTRICAL DATA		SCALE 2 TO 1
OPERATING FORCE - - - - -	6 OZ. MAX.	CONTACT ARRANGEMENT	BREAK DISTANCE	DO NOT SCALE PRINT
RELEASE FORCE - - - - -	2 OZ. MIN.			UNLESS OTHERWISE SPECIFIED
DIFFERENTIAL TRAVEL - - -	.025 MAX.			DIMENSIONS ARE IN INCHES
OVERTRAVEL - - - - -	.015 MIN.			TOLERANCES ARE:
	(A)			ONE PLACE (.0) ± .030
				TWO PLACE (.00) ± .015
				THREE PLACE (.000) ± .008
				ANGLES ±
				WEIGHT