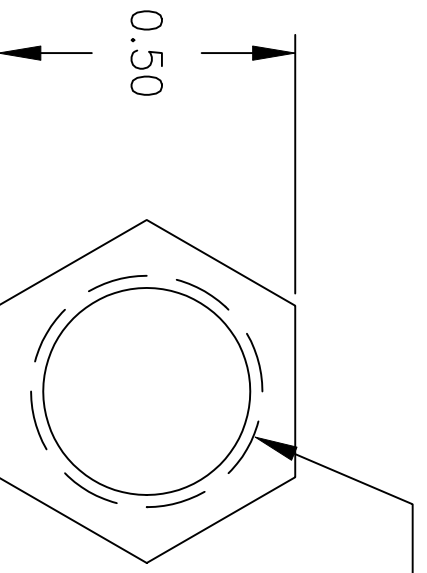


LTR	EN	DESCRIPTION	APPR	BY	DATE
A	-	INITIAL RELEASE	RB	NH	1-7-04

THD 3/8-27

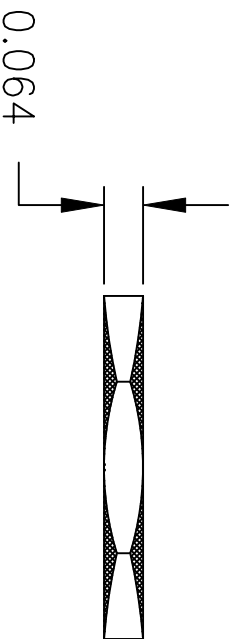


DESCRIPTION: NUT, HEX BRASS NICKEL PLATE

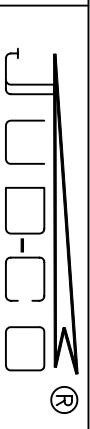
JUDCO INVENTORY NO. 18-1017-00  
 DESCRIPTION: NUT HEX, 3/8-27, BRASS, NICKEL PLATED

CUSTOMER: DIGI-KEY  
 CUSTOMER: PN 535PB-ND

ACCEPTED BY: \_\_\_\_\_  
 DATE: \_\_\_\_\_



DIMENSIONS IN INCHES  
 DIMENSIONS ARE REFERENCE



HARBOR CITY CALIFORNIA

DRAWN: NH 1-7-04

TITLE  
 NUT, HEX 3/8-27  
 BRASS, NICKEL PLD

APPR: KJ 1-7-04

DWG. NO. 1415-544

1415US44A.DWG

SHEET

1 OF 1

This document embodies a product, component, and/or design proprietary to JUDCO MANUFACTURING INC., and which is protected either as a trade secret, by U.S. Patent, or by copyright. It may not be used in any way without written express consent of JUDCO MANUFACTURING INC.