

# B series

## 15A and 25A terminal posts

### ELECTRICAL SPECIFICATIONS

- Dielectric strength :  
15A type : 3.000 Vrms 50 Hz min. between shaft and panel  
25A type : 4.000 Vrms 50 Hz min. between shaft and panel
- Short overload (< 2mn) : 50 % with cable lug

### MATERIALS

- Shaft : brass, nickel plated
- Insulated nut : ABS molding over brass
- Other insulated parts : phenolic resin or melamine

### GENERAL SPECIFICATIONS

- Terminal connection by :
  - plug Ø 4 mm (.157)
  - solder lug terminals,
  - wire lead
- Operating temperature : -40°C to +70°C

**Dimensions** : first dimensions are in mm while inches are shown as bracketted numbers.



**Packaging unit** : 100 pieces or multiple per type and colour.

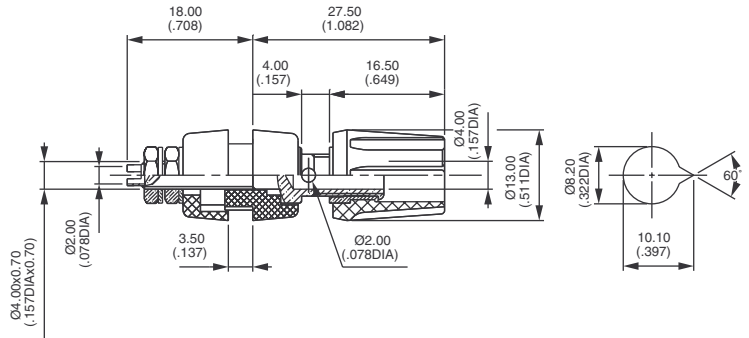
# B series

## 15A and 25A terminal posts

### Insulated terminal posts 15A



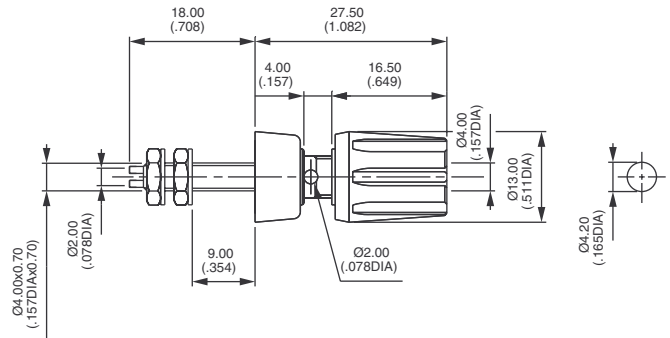
<b>B1</b>	Black
<b>B11</b>	Red
<b>B12</b>	Green
<b>B13</b>	Blue
<b>B14</b>	White
<b>B15</b>	Yellow
<b>B16</b>	Green / Yellow
<b>B19</b>	Orange



### Non-insulated terminal posts 15A



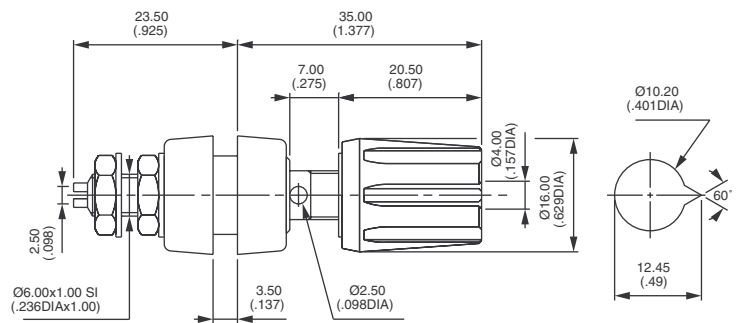
<b>B2</b>	Black
<b>B21</b>	Red
<b>B22</b>	Green
<b>B23</b>	Blue
<b>B24</b>	White
<b>B25</b>	Yellow
<b>B26</b>	Green / Yellow
<b>B29</b>	Orange



### Insulated terminal posts 25A



<b>B3</b>	Black
<b>B31</b>	Red
<b>B32</b>	Green
<b>B33</b>	Blue
<b>B34</b>	White
<b>B35</b>	Yellow
<b>B36</b>	Green / Yellow
<b>B39</b>	Orange



### Non-insulated terminal posts 25A



<b>B4</b>	Black
<b>B41</b>	Red
<b>B42</b>	Green
<b>B43</b>	Blue
<b>B44</b>	White
<b>B45</b>	Yellow
<b>B46</b>	Green / Yellow
<b>B49</b>	Orange

