

THIS DRAWING IS UNPUBLISHED.

RELEASED FOR PUBLICATION

© COPYRIGHT - BY TYCO ELECTRONICS CORPORATION.

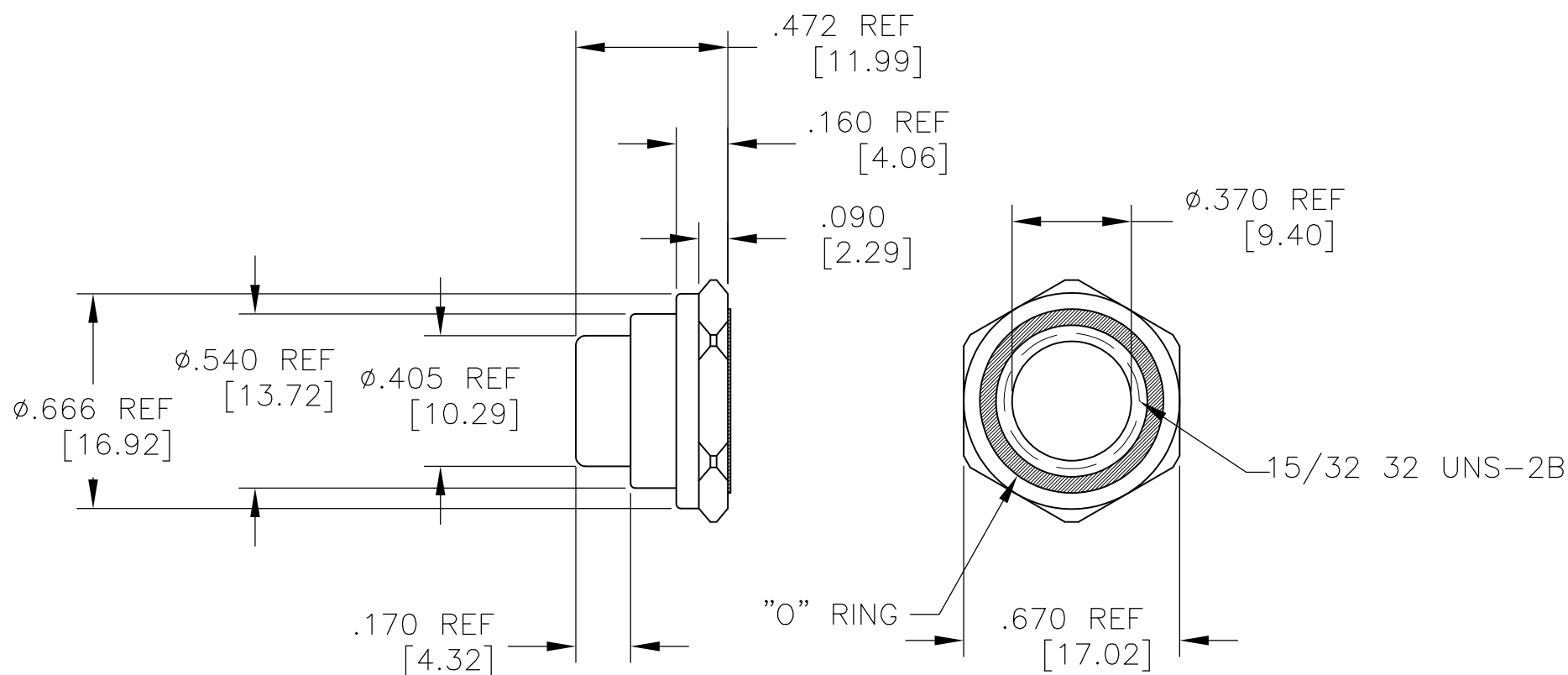
ALL RIGHTS RESERVED.

LOC AD DIST 00

REVISIONS

P	LTR	DESCRIPTION	DATE	DWN	APVD
	B	REVISED PER ECO-07-029259	28MAR08	HMR	MW

- 1 SUPPLIED WITH "O" RING SEAL FOR SEALING TO PANEL
- 2 BLACK ANODIZED MOUNT VERSION
- 3 NICKEL PLATED MOUNT VERSION
- 4 NEOPRENE BOOT



SUPERSEDE WITH 1825603-1	2	BP590004	1825608-2
OBSOLETE	3	BP589004	1825608-1
	FINISH	ALCO P/N	PART NUMBER

THIS DRAWING IS A CONTROLLED DOCUMENT.		DWN M.BINNER 14AUG2006	Tyco Electronics Corporation Harrisburg, PA 17105-3608	
DIMENSIONS: INCHES	TOLERANCES UNLESS OTHERWISE SPECIFIED:	CHK M.WILBOURN 15AUG06	NAME	
	0 PLC ± -	APVD M.WILBOURN 15AUG06	15/32-32 PUSHBUTTON BOOT SEAL	
	1 PLC ± -	PRODUCT SPEC	SIZE CAGE CODE DRAWING NO RESTRICTED TO	
MATERIAL	2 PLC ± -	APPLICATION SPEC	A3 00779 C-1825608	
	3 PLC ± .005	WEIGHT -	SCALE 2:1 SHEET 1 OF 1 REV B	
	4 PLC ± -	CUSTOMER DRAWING		
	ANGLES ± -			
	FINISH -			