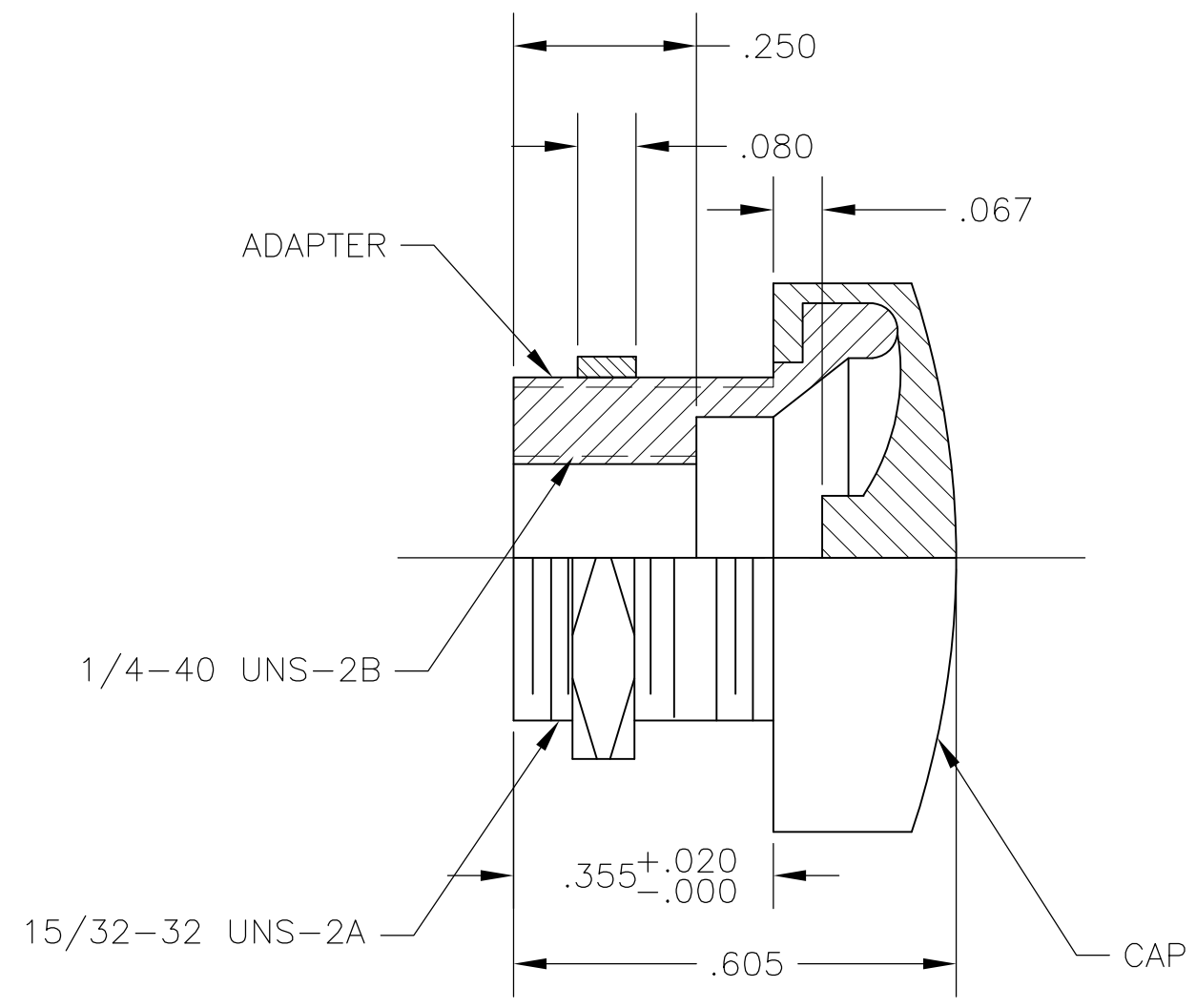
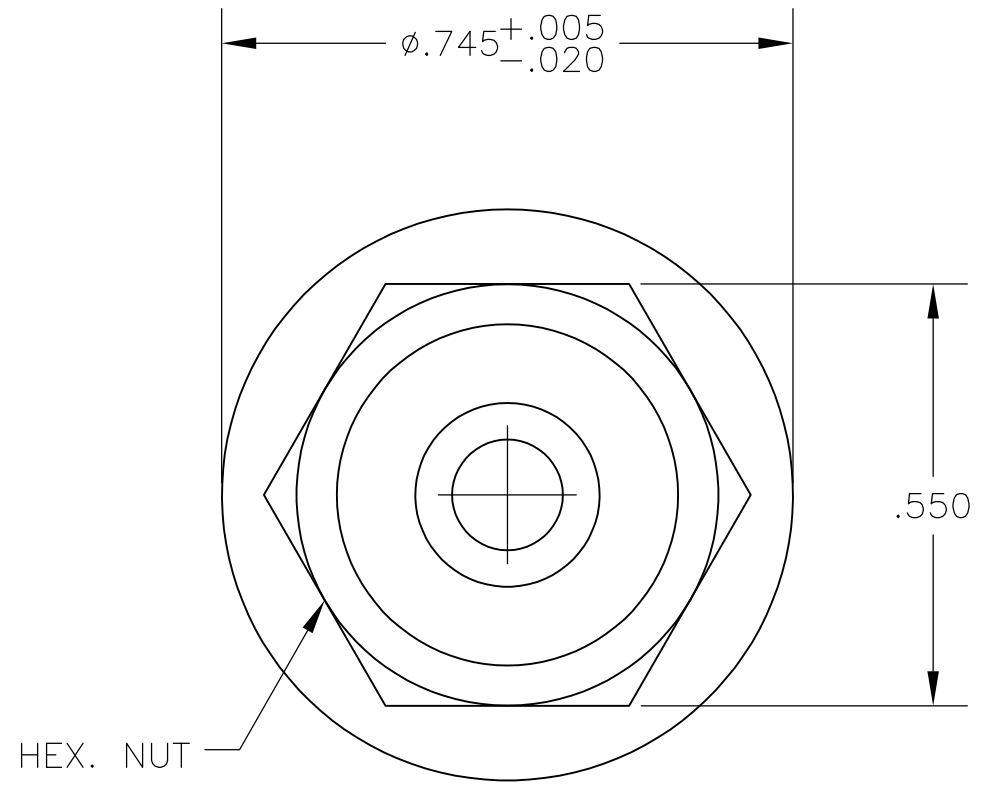


THIS DRAWING IS UNPUBLISHED. RELEASED FOR PUBLICATION
 © COPYRIGHT BY TYCO ELECTRONICS CORPORATION. ALL RIGHTS RESERVED.

LOC	DIST	REVISIONS			
P	LTR	DESCRIPTION	DATE	DWN	APVD
	B	ECO-07-021263	12SEP07	MB	MW



BLACK	BPT1532004	1825599-3
GRAY	BPT1532804	1825599-2
RED	BPT1532204	1825599-1
COLOR	ALCO P/N	TE P/N

THIS DRAWING IS A CONTROLLED DOCUMENT.		DWN SUDHEER	29AUG2006	Tyco Electronics Corporation Harrisburg, PA 17105-3608	
DIMENSIONS: INCHES		TOLERANCES UNLESS OTHERWISE SPECIFIED:		NAME PUSHBUTTON SWITCH PANEL SEAL	
		0 PLC	± -	PRODUCT SPEC	
		1 PLC	± -	APPLICATION SPEC	
		2 PLC	± -	WEIGHT	
		3 PLC	± .010	SIZE	
		4 PLC	± -	CAGE CODE	
		ANGLES	± 3°	DRAWING NO	
MATERIAL ADAPTER: ABS RESIN CAP: NEOPRENE HEX.NUT: NICKEL PLATED		FINISH		RESTRICTED TO	
				A3 00779 C-1825599	
				SCALE 4:1 SHEET 1 OF 1 REV B	
CUSTOMER DRAWING					