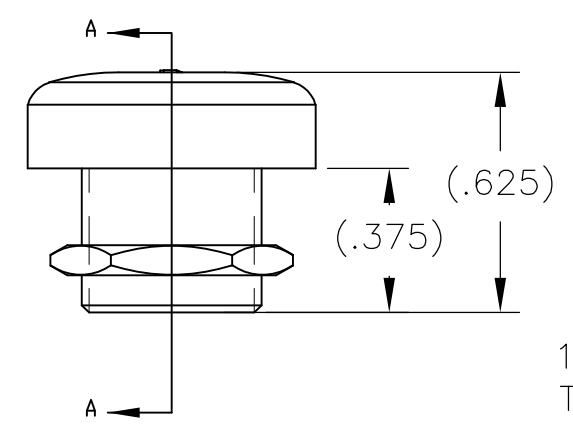
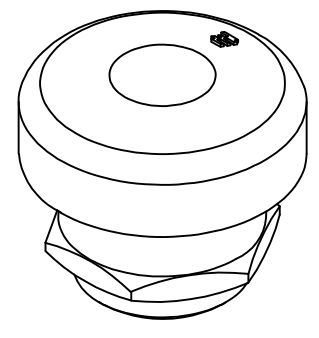
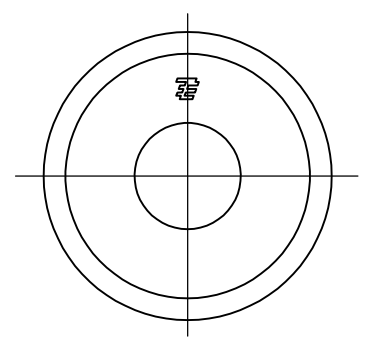


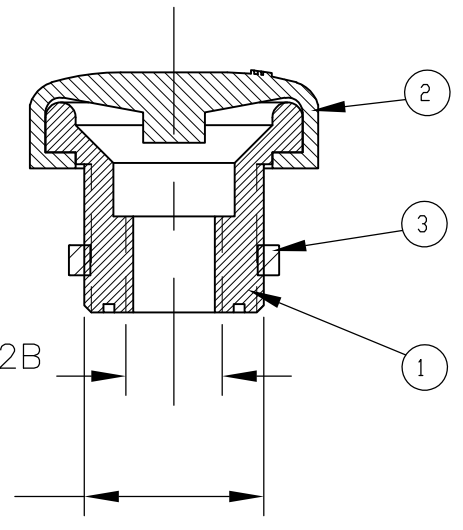
THIS DRAWING IS UNPUBLISHED. RELEASED FOR PUBLICATION
 © COPYRIGHT BY TYCO ELECTRONICS CORPORATION. ALL RIGHTS RESERVED.

LOC	DIST	REVISIONS			
P	LTR	DESCRIPTION	DATE	DWN	APVD
AD	00	C	ECO-07-028369	03JAN2007	RB MW

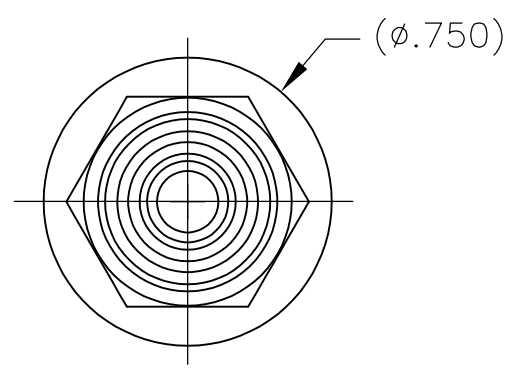


1/4 - 40 UNS 2B
 THREAD

15/32 - 32 UNS 2A
 THREAD



SECTION A-A



- COMPONENTS MUST COMPLY WITH EUROPEAN DIRECTIVE 2002/95/EC ON RESTRICTION OF THE USE OF CERTAIN HAZARDOUS SUBSTANCES IN ELECTRICAL AND ELECTRONIC EQUIPMENT (ROHS DIRECTIVE).
- USE PART DRAWING FOR ACTUAL DIMENSIONS. DO NOT TAKE MEASUREMENTS FROM CAD ASSEMBLY DRAWING, RUBBER CAP STRETCHED OVER THE BUSHING.
- SUPPLIED WITH JAM NUT ASSEMBLED.

PART NUMBER	BUSHING MATERIAL	CAP MATERIAL
1825599-1	ABS, BLACK	SILICONE, COLOR RED
1825599-2	ABS, BLACK	SILICONE, COLOR GRAY
1825599-3	ABS, BLACK	SILICONE, COLOR BLACK

NO.	DESCRIPTION	DRAWING NO.	MATERIAL
①	THREADED BUSHING	BUSHING	BLACK ABS THERMOPLASTIC
②	BPT - RUBBER CAP	1825599-CAP	SILICONE PER ZZ-R-765 CLASS 3A, GRADE 60, COLOR AS PER ABOVE TABLE
③	15/32-32 UNS-2B NUT	JAM NUT	BRIGHT FINISH NICKEL PLATED BRASS

THIS DRAWING IS A CONTROLLED DOCUMENT.

DIMENSIONS: INCHES	TOLERANCES UNLESS OTHERWISE SPECIFIED:
	0 PLC ± -
	1 PLC ± -
	2 PLC ± -
	3 PLC ± .010
	4 PLC ± -
	ANGLES ± 3'
MATERIAL	FINISH
-	-

DWN R BROWN 03JAN2008	Tyco Electronics Corporation Harrisburg, PA 17105-3608
CHK M WILBOURN 03JAN2008	
APVD M WILBOURN 03JAN2008	
NAME PUSHBUTTON SWITCH PANEL SEAL	
PRODUCT SPEC	
APPLICATION SPEC	
WEIGHT	SIZE A3
CUSTOMER DRAWING	CAGE CODE 00779
	DRAWING NO C-1825599
	RESTRICTED TO
	SCALE 2:1
	SHEET 1 OF 1
	REV C