

4

3

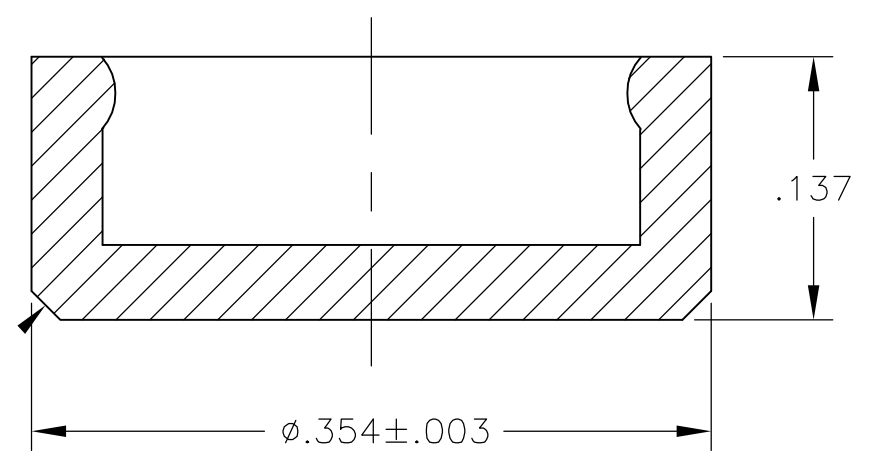
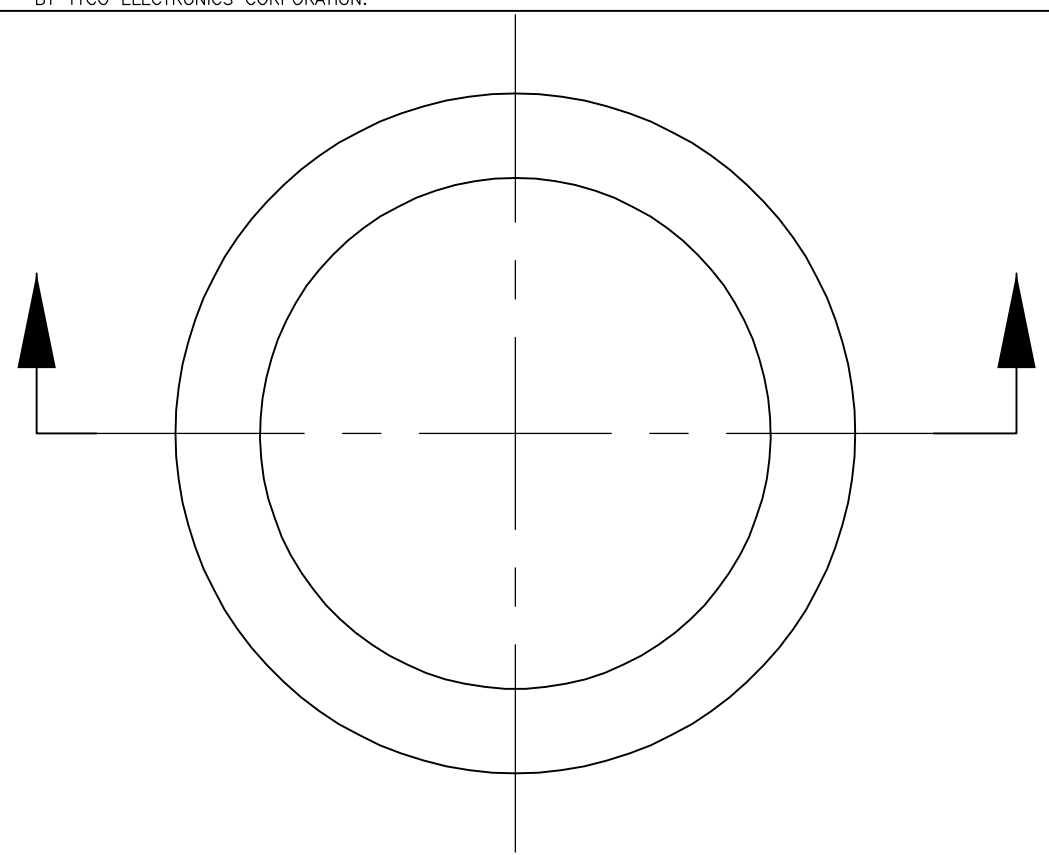
2

1

THIS DRAWING IS UNPUBLISHED. RELEASED FOR PUBLICATION

© COPYRIGHT - BY TYCO ELECTRONICS CORPORATION. ALL RIGHTS RESERVED.

LOC	DIST	REVISIONS			
P	LTR	DESCRIPTION	DATE	DWN	APVD
AD	00	A	ECO-06-1882	13JAN06	MZ MZ



1. MATERIAL SHALL COMPLY WITH EU DIRECTIVE 2002/95/EC OF 20JAN2003 (ROHS)
2. CAP FOR USE WITH GREEN SERIES PUSHBUTTON SWITCHES AS FOUND ON DRAWING 1825042.

YELLOW	C9904	1825070-4
ORANGE	C9604	1825070-3
RED	C9204	1825070-2
BLACK	C9004	1825070-1
COLOR	ALCO PART NUMBER	TYCO PART NUMBER

THIS DRAWING IS A CONTROLLED DOCUMENT.		DWN M.BINNER	30NOV04	Tyco Electronics Corporation Harrisburg, PA 17105-3608													
DIMENSIONS: INCHES		CHK M.ZITTO	30NOV04														
TOLERANCES UNLESS OTHERWISE SPECIFIED:		APVD M.ZITTO	30NOV04	NAME CAP, GREEN SERIES, PUSHBUTTON, C9													
<table border="0"> <tr> <td>0 PLC</td> <td>± -</td> </tr> <tr> <td>1 PLC</td> <td>± -</td> </tr> <tr> <td>2 PLC</td> <td>± -</td> </tr> <tr> <td>3 PLC</td> <td>± .003</td> </tr> <tr> <td>4 PLC</td> <td>± -</td> </tr> <tr> <td>ANGLES</td> <td>± 1'</td> </tr> </table>		0 PLC	± -	1 PLC	± -	2 PLC	± -	3 PLC	± .003	4 PLC	± -	ANGLES	± 1'	PRODUCT SPEC -		RESTRICTED TO -	
0 PLC	± -																
1 PLC	± -																
2 PLC	± -																
3 PLC	± .003																
4 PLC	± -																
ANGLES	± 1'																
MATERIAL POLYAMIDE		FINISH -		SIZE A3	CAGE CODE 00779												
CUSTOMER DRAWING				DRAWING NO C-1825070	SCALE 10:1												
				SHEET 1 OF 1	REV A												