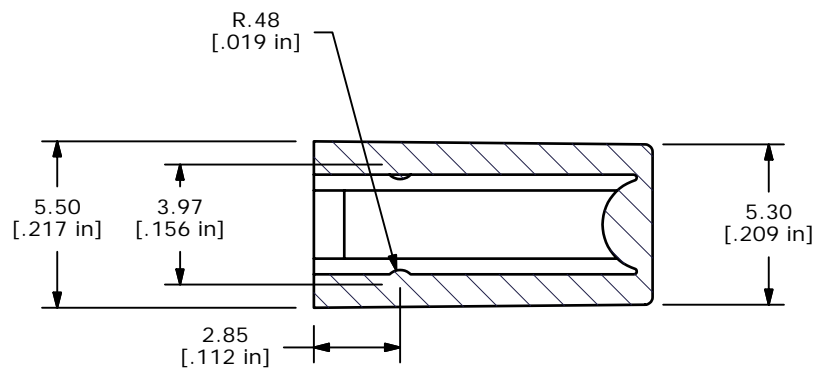
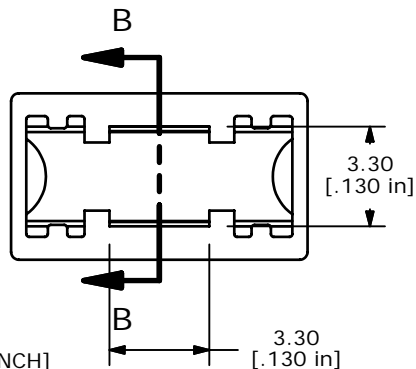
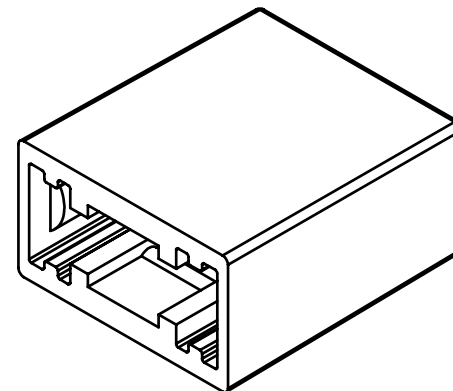
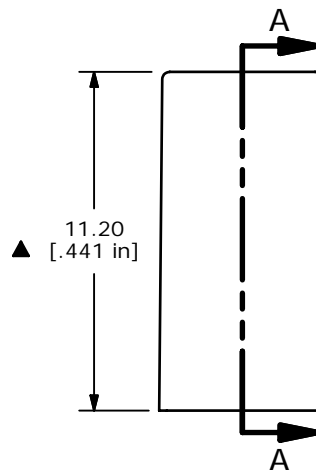


SECTION A-A
SCALE 4 : 1



SECTION B-B
SCALE 4 : 1

NOTE:

1. ALL DIMENSIONS IN MM[INCH]
2. GENERAL TOLERANCE: X.XX=±0.15
- ▲3. MATERIAL: ABS UL94HB
- ▲4. COLOR: GRAY, PANTONE COLOR 423C
5. ▲DENOTES CRITICAL PARAMETER
6. 2002/95/EC (ROHS) COMPLIANT

E-SWITCH®

B	15818	PANTONE COLOR FROM 429C TO 423C	2/23/06	PH
A	15624	NEW RELEASE	12/21/05	PH
REV	PCR NO	DESCRIPTION	DATE	BY

TITLE TACGRY				
SCALE	DATE	DR	DWG	REV
4:1	12/21/2005	PH	T041623	B

THE INFORMATION CONTAINED IN THIS DOCUMENT IS PROPRIETARY TO E-SWITCH AND IS NOT TO BE COPIED OR TRANSFERRED