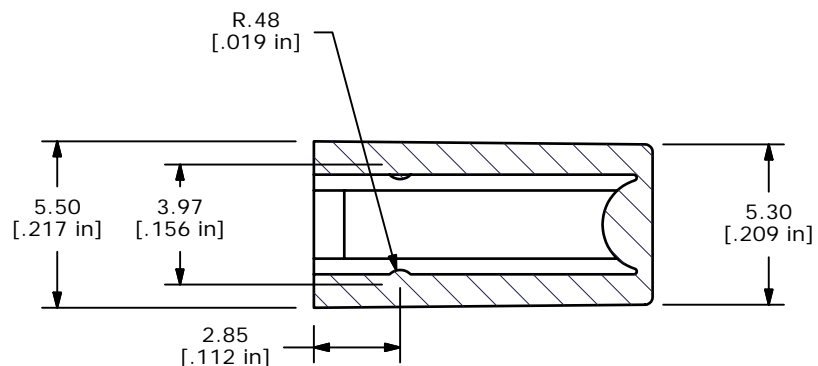
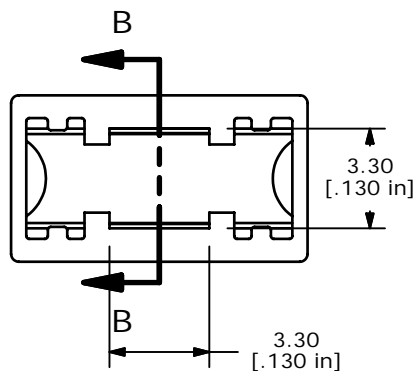
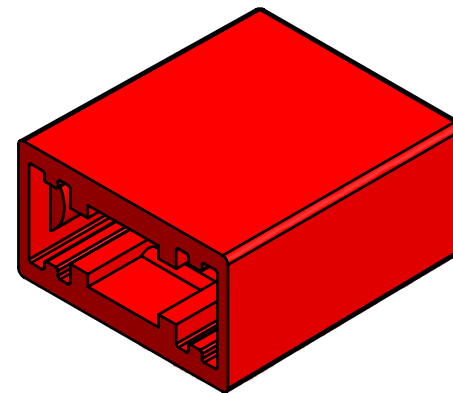
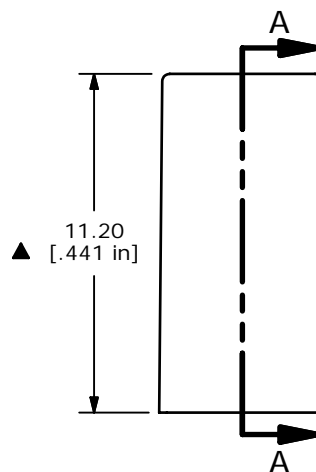


SECTION A-A  
SCALE 4 : 1



SECTION B-B  
SCALE 4 : 1

NOTE:

1. ALL DIMENSIONS IN MM[INCH]
2. GENERAL TOLERANCE: X.XX=±0.15
- ▲3. MATERIAL: ABS UL94HB
- ▲4. COLOR: RED, PANTONE 201C
5. ▲DENOTES CRITICAL PARAMETER

**E-SWITCH®**

B	15384	CHANGED PANTONE 201C FROM 187C	10/12/05	PH
A	15360	NEW RELEASE	10/5/05	PH
REV	PCR NO	DESCRIPTION	DATE	BY

TITLE TACRED				
SCALE	DATE	DR	DWG	REV
4:1	10/5/2005	PH	T041624	B

THE INFORMATION CONTAINED IN THIS DOCUMENT IS PROPRIETARY TO E-SWITCH AND IS NOT TO BE COPIED OR TRANSFERRED