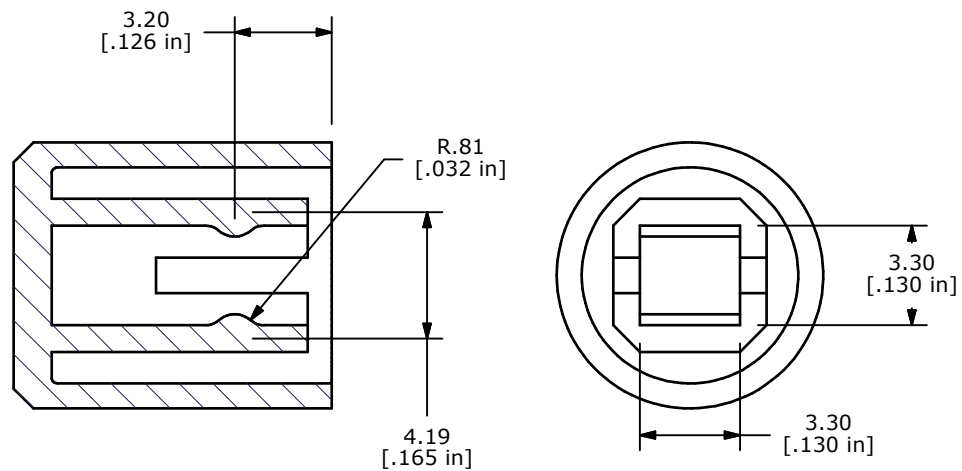
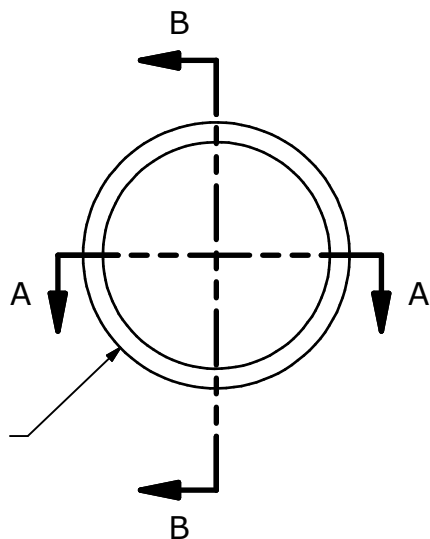
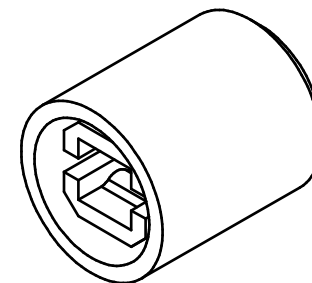


SECTION A-A
SCALE 4 : 1



SECTION B-B
SCALE 4 : 1

NOTES:

1. ALL DIMENSIONS IN MM[INCH]
2. GENERAL TOLERANCE: X.XX=± 0.15
- ▲3. MATERIAL: ABS UL94HB
- ▲4. COLOR: RED, PANTONE 201C
5. ▲ DENOTES CRITICAL PARAMETER
6. 2002/95/EC (ROHS) COMPLIANT

C	17594	CHANGED DETENT RIB PLACEMENT	8/27/07	BF
B	15384	CHANGED PANTONE 201C FROM 187C	10/12/05	PH
A	15249	NEW RELEASE	9/7/05	PH
REV	PCR NO	DESCRIPTION	DATE	BY



TITLE TAGRED				
SCALE 4:1	DATE 8/27/2007	DR BF	DWG T041604	REV C

THE INFORMATION CONTAINED IN THIS DOCUMENT IS PROPRIETARY TO E-SWITCH AND IS NOT TO BE COPIED OR TRANSFERRED