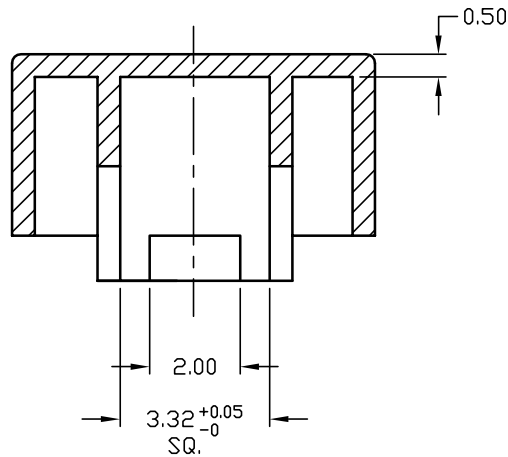
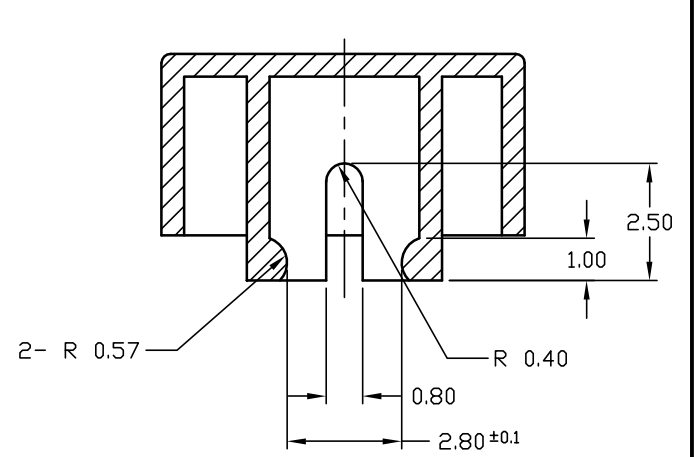


PART NO. SHOWN: 6J BUTTON BLACK



SECTION X-X DETAIL



SECTION Y-Y DETAIL

NOTES:

1. ALL DIMENSIONS IN MM
2. BUTTON COLOR: RED

E-SWITCH®

TITLE

6JRED BUTTON

REV.	ECN No.	DESCRIPTION	DATE	CHKD
A	13423	RELEASED FOR PRODUCTION	9/5/03	AR

SCALE

3:1

DATE

9/5/03

DR

AR

DWG

P001073

REV

A

THE INFORMATION CONTAINED IN THIS DOCUMENT IS PROPRIETARY TO E-SWITCH AND IS NOT TO BE COPIED OR TRANSFERRED