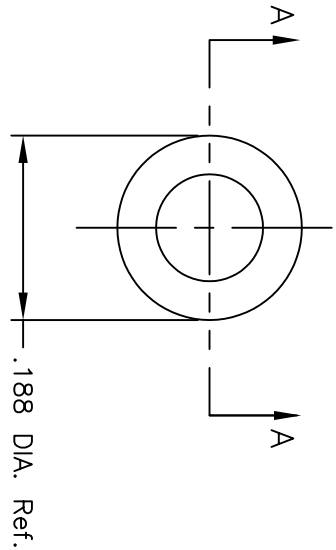


SECTION A-A



NOTES:

1. ALL DIMENSIONS IN INCHES
2. MAT'T: VINYL, WHITE, FORMULA #9500
3. DESIGNATE MAJOR DIMENSIONS

REVISED & REDRAWN		6/12/98		CHKD	
REV.	DESCRIPTION	DATE	TITLE		
B	THE INFORMATION CONTAINED IN THIS DOCUMENT IS PROPRIETARY TO E-SWITCH AND IS NOT TO BE COPIED OR TRANSFERRED		T100-1 White Toggle Cap		
TOLERANCES			SCALE		
.00			5:1		
.00			DATE	DR	DWG
			9/10/96	MM	T000000
					REV
					B

E-SWITCH®