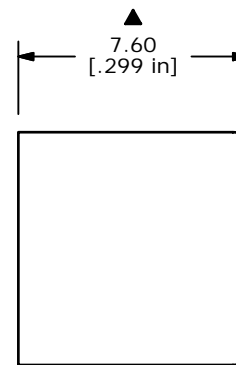
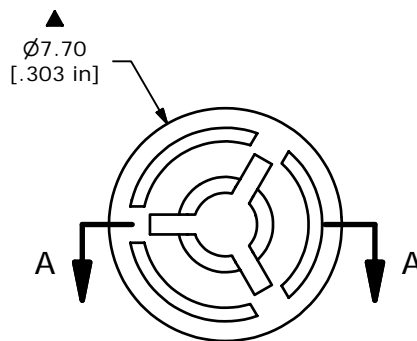


SECTION A-A
SCALE 4 : 1



NOTES:

1. ALL DIMENSIONS IN MM[INCH]
2. GENERAL TOLERANCE: X.X=±0.4
X.XX=±0.25
- ▲ 3. MATERIAL: NYLON
- ▲ 4. COLOR: BLACK
5. 2002/95/EC (ROHS) COMPLIANT
6. ▲ DENOTES CRITICAL PARAMETER.

E	15896	EDIT MATERIAL, ADD ROHS	3/24/06	PH
D	13977	REDRAWN	5/5/04	AR
C	13219	REMOVE TABLE	6/16/03	AR
B	11559	DIM 2.90 WAS 3.10, ADD TAB	7/6/01	CJB
REV	PCR NO	DESCRIPTION	DATE	BY

E-SWITCH®

TITLE 700C1BLK CAP

THE INFORMATION CONTAINED IN THIS DOCUMENT IS PROPRIETARY TO E-SWITCH AND IS NOT TO BE COPIED OR TRANSFERRED

SCALE	DATE	DR	DWG	REV
4:1	5/5/2004	AR	T700100	E