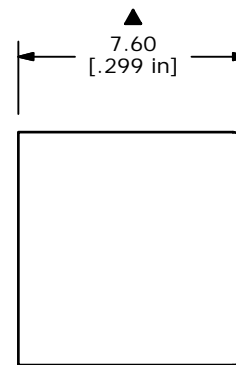
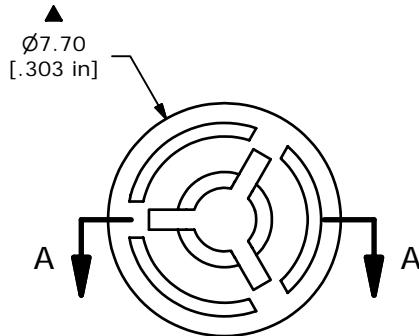
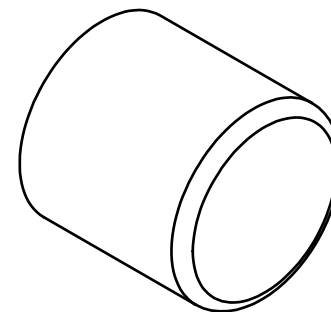


SECTION A-A
SCALE 4 : 1



NOTES:

1. ALL DIMENSIONS IN MM[INCH]
2. GENERAL TOLERANCE: X.X=±0.4
X.XX=±0.25
- ▲ 3. MATERIAL: NYLON
- ▲ 4. COLOR: GREEN
5. 2002/95/EC (ROHS) COMPLIANT
6. ▲ DENOTES CRITICAL PARAMETER.

E-SWITCH®

TITLE 700C1GRN CAP

| | | | | |
|-----|--------|-----------------|---------|----|
| C | 15896 | REVISED REDRAWN | 3/24/06 | PH |
| REV | PCR NO | DESCRIPTION | DATE | BY |

THE INFORMATION CONTAINED IN THIS DOCUMENT IS PROPRIETARY TO E-SWITCH AND IS NOT TO BE COPIED OR TRANSFERRED

| | | | | |
|-----------|----------------|-------|-------------|-------|
| SCALE 4:1 | DATE 3/24/2006 | DR -- | DWG T700106 | REV C |
|-----------|----------------|-------|-------------|-------|