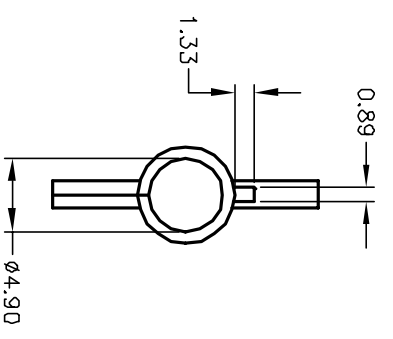
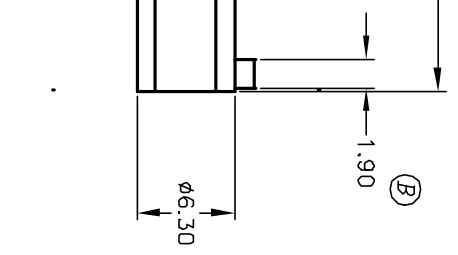


STAMPED 102



NOTES:

1. ALL DIMENSIONS IN MM
2. GENERAL TOLERANCE: X,XX=±0.25
3. MATERIAL: ZINC ALLOY W/CHROME PLATING.

REV.	ECN No.	DESCRIPTION	DATE	CHKD
B	11772	REVISED	11/1/01	CB

TITLE	SCALE	DATE	DR	DWG	REV
K0 KEY 102	2:1	10/22/01	CJB	K900010	B



THE INFORMATION CONTAINED IN THIS DOCUMENT IS PROPRIETARY TO E-SWITCH AND IS NOT TO BE COPIED OR TRANSFERRED