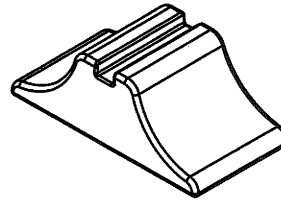
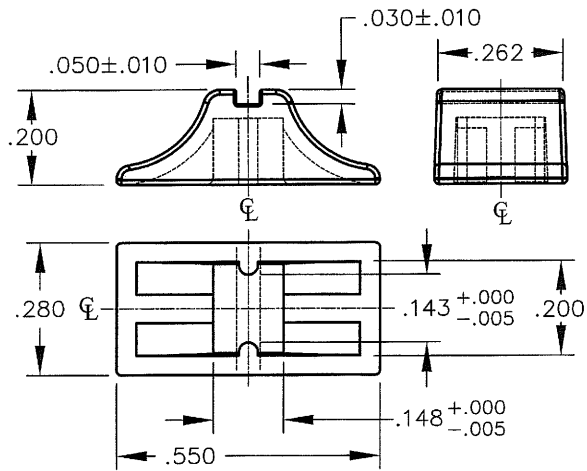


DIMENSIONS IN INCHES (MILLIMETERS)
DO NOT SCALE DRAWING

Dwg. No.

G-02-353-001



Material:

Nylon 6/6

Color:

Black BK-000

(For More Detailed Spec's Ref. Dwg. G-02-353)

1 2 3 4 5 6 7 8 9 10

B-FORMAT 2002
REVISIONS
0
RELEASED
DGW 8-05-2008
AUG 13 2008

CW INDUSTRIES
Southampton, Pa. 18966
TOLERANCES UNLESS OTHERWISE SPECIFIED
3 Place Decimal ±.015 METRIC
Angles ±1° 2 Place Dec. ±.38mm
Made for: CW IND.
Drawn by: DGW 8-05-2008
Checked by: G. Guld 8-15-08
Approval: G. Guld 8-15-08

Title: G-107
SWITCH
BUTTON
TOPPER
Division: SWITCH
Dwg. No. G-02-353-001

MASTER