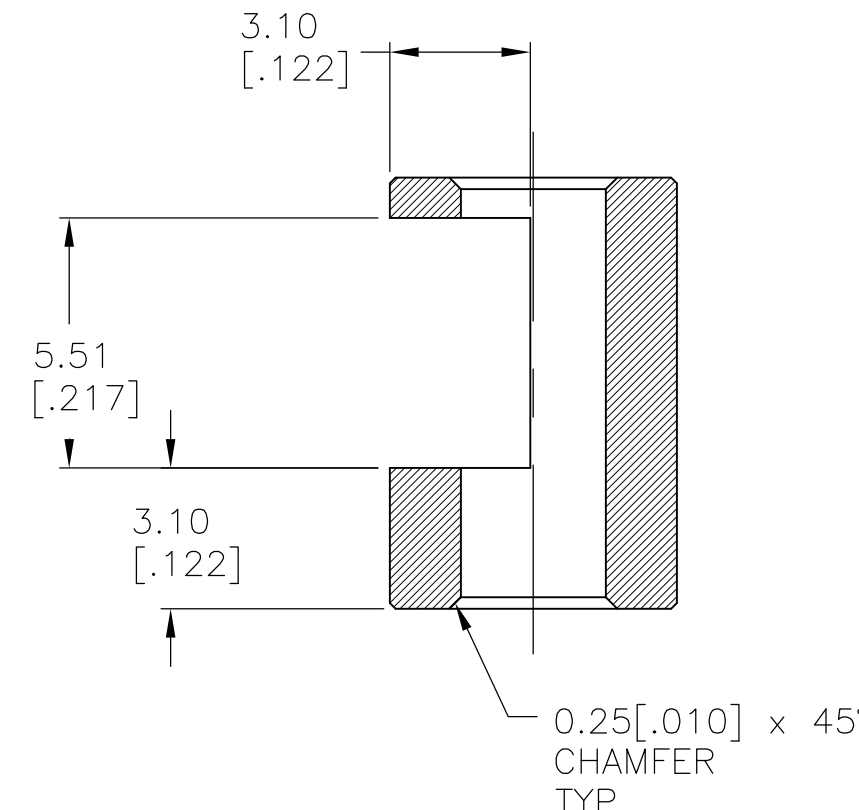
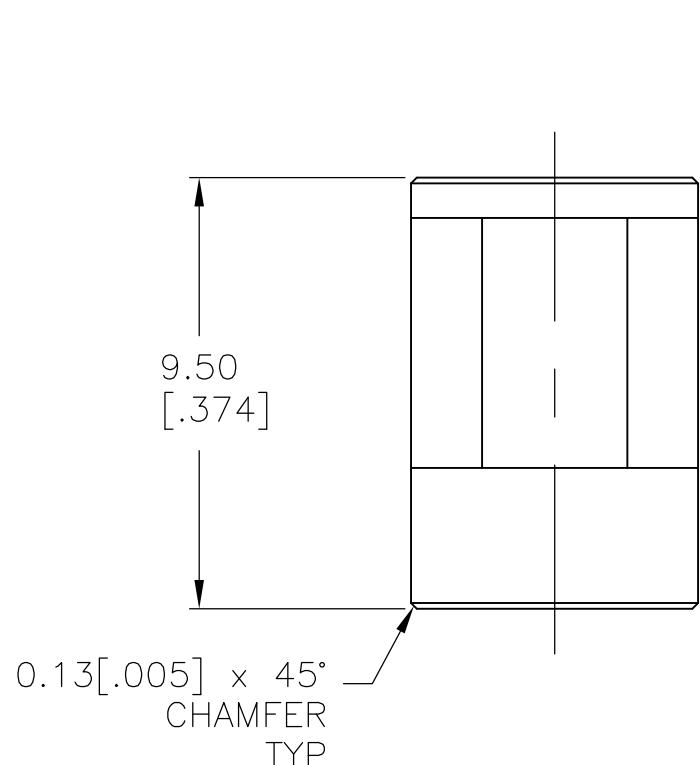
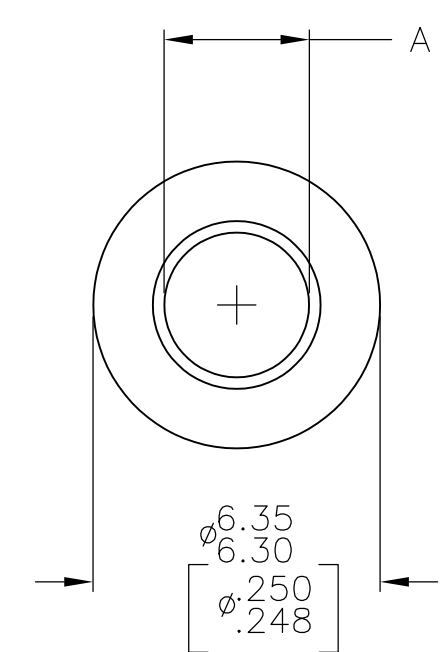


THIS DRAWING IS UNPUBLISHED. RELEASED FOR PUBLICATION
 © COPYRIGHT BY TYCO ELECTRONICS CORPORATION. ALL RIGHTS RESERVED.

LOC	DIST	REVISIONS			
P	LTR	DESCRIPTION	DATE	DWN	APVD
AD	00	A	ECO-07-024549	18OCT07	MB MW



- △ 1 BRASS
- △ 2 NICKEL PLATE ELECTRODEPOSITED



4.09 ^{+0.08} _{-0.0} [.161 ^{+0.003} _{-.000}]	△ 2	△ 1	KR-304	1825620-3
4.83 ^{+0.08} _{-0.0} [.190 ^{+0.003} _{-.000}]	△ 2	△ 1	KR-204	1825620-2
3.20 ^{+0.08} _{-0.0} [.126 ^{+0.003} _{-.000}]	△ 2	△ 1	KR-104	1825620-1
A	FINISH	MATERIAL	ALCO P/N	TE P/N

THIS DRAWING IS A CONTROLLED DOCUMENT.		DWN M.BINNER 18OCT2007	Tyco Electronics Corporation Harrisburg, PA 17105-3608	
DIMENSIONS: mm [INCHES]		CHK M.WILBOURN 18OCT07	NAME SHAFT ADAPTER	
TOLERANCES UNLESS OTHERWISE SPECIFIED: 0 PLC ± - 1 PLC ± - 2 PLC ± 0.13 [.005] 3 PLC ± - 4 PLC ± - ANGLES ± 5°		APVD M.WILBOURN 18OCT07	PRODUCT SPEC -	
MATERIAL SEE TABLE		FINISH SEE TABLE	APPLICATION SPEC -	RESTRICTED TO -
CUSTOMER DRAWING		WEIGHT -	SIZE A3	CAGE CODE 00779
		DRAWING NO G-1825620		SCALE 8:1
		SHEET 1 OF 1		REV A