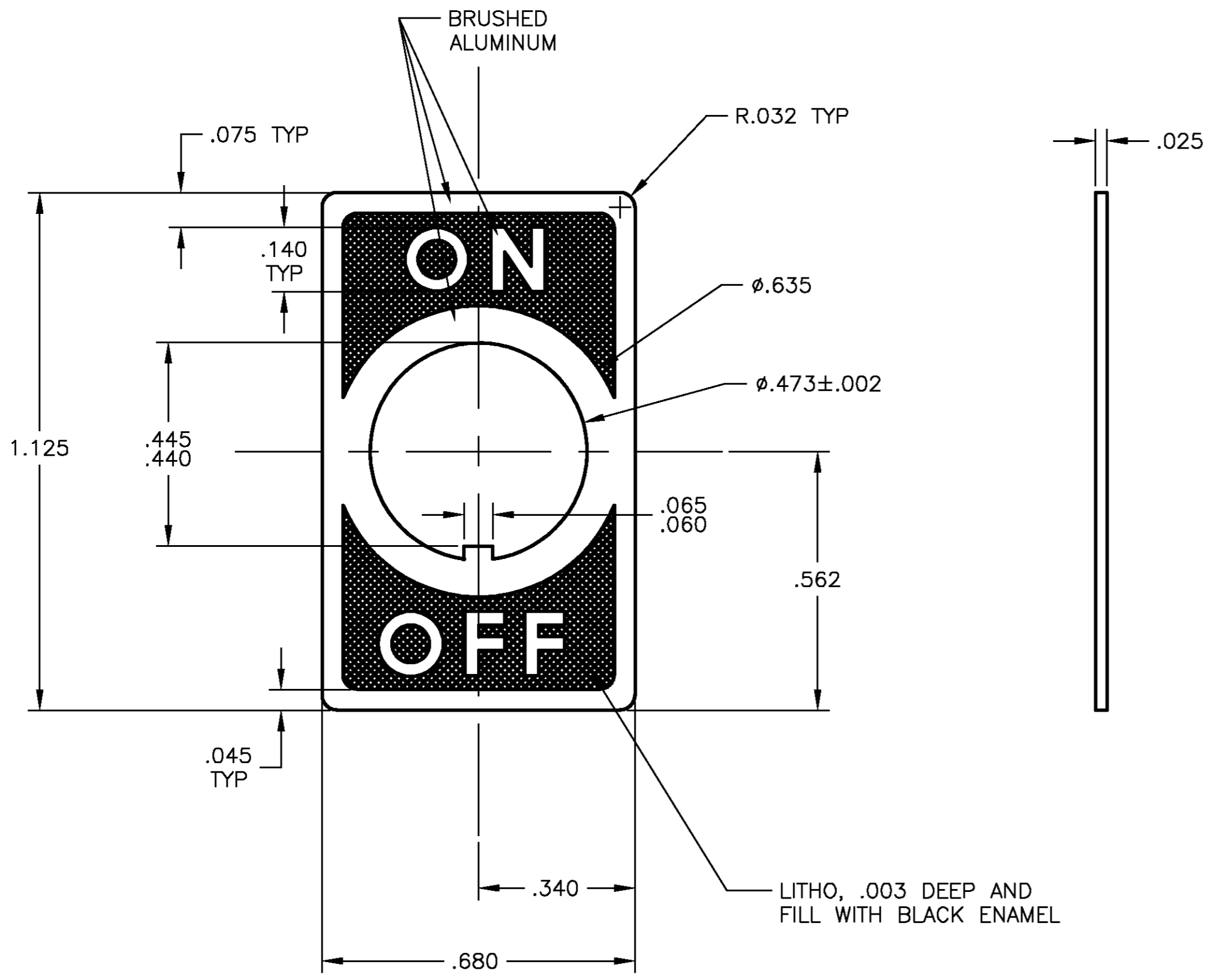
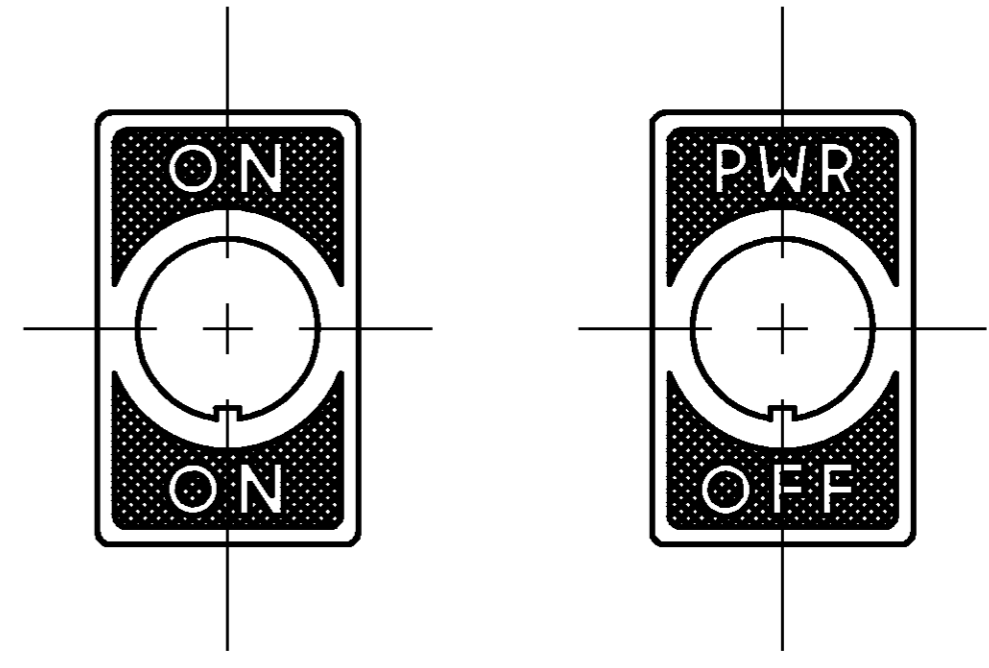


THIS DRAWING IS UNPUBLISHED. RELEASED FOR PUBLICATION
 © COPYRIGHT BY TYCO ELECTRONICS CORPORATION. ALL RIGHTS RESERVED.

LDC		DIST		REVISIONS			
P	LTR	DESCRIPTION		DATE	DWN	APVD	
	A	REV PER OG3C-0242-02		19NOV02	RB	MZ	



SPA-42



SCALE 2:1

SPA-43	2-1437628-7
SPA-42	2-1437628-6
SPA-41	2-1437628-5
ALCO PT. NO.	TYCO PT. NO.

THIS DRAWING IS A CONTROLLED DOCUMENT.		DWN	R BROWN	19NOV02	 Tyco Electronics Corporation Harrisburg, PA		
DIMENSIONS: INCHES		GHK	M ZITTO	19NOV02			
TOLERANCES UNLESS OTHERWISE SPECIFIED:		APVD	M ZITTO	19NOV02			
0 PLC ± - 1 PLC ± - 2 PLC ± - 3 PLC ± .005 4 PLC ± - ANGLES ± -		NAME		SWITCH PLATE SPA 41, 42 & 43			
MATERIAL	FINISH	WEIGHT	SIZE		CAGE CODE	DRAWING NO	RESTRICTED TO
			A2	00779	C-2-1437628-5		
CUSTOMER DRAWING		SCALE		4:1	SHEET	1 OF 1	REV
							A

2-1437628-5