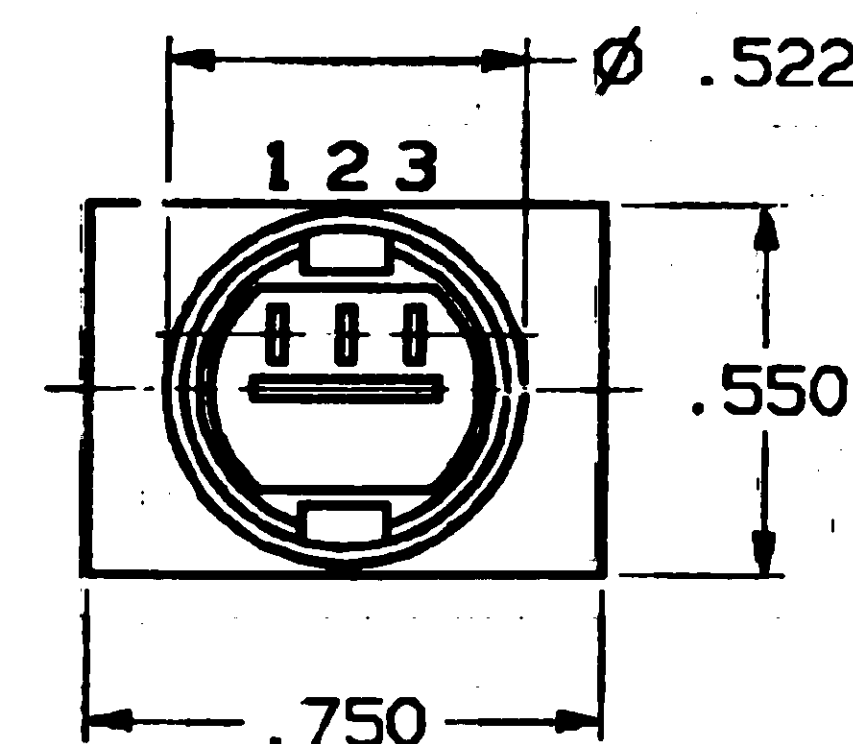
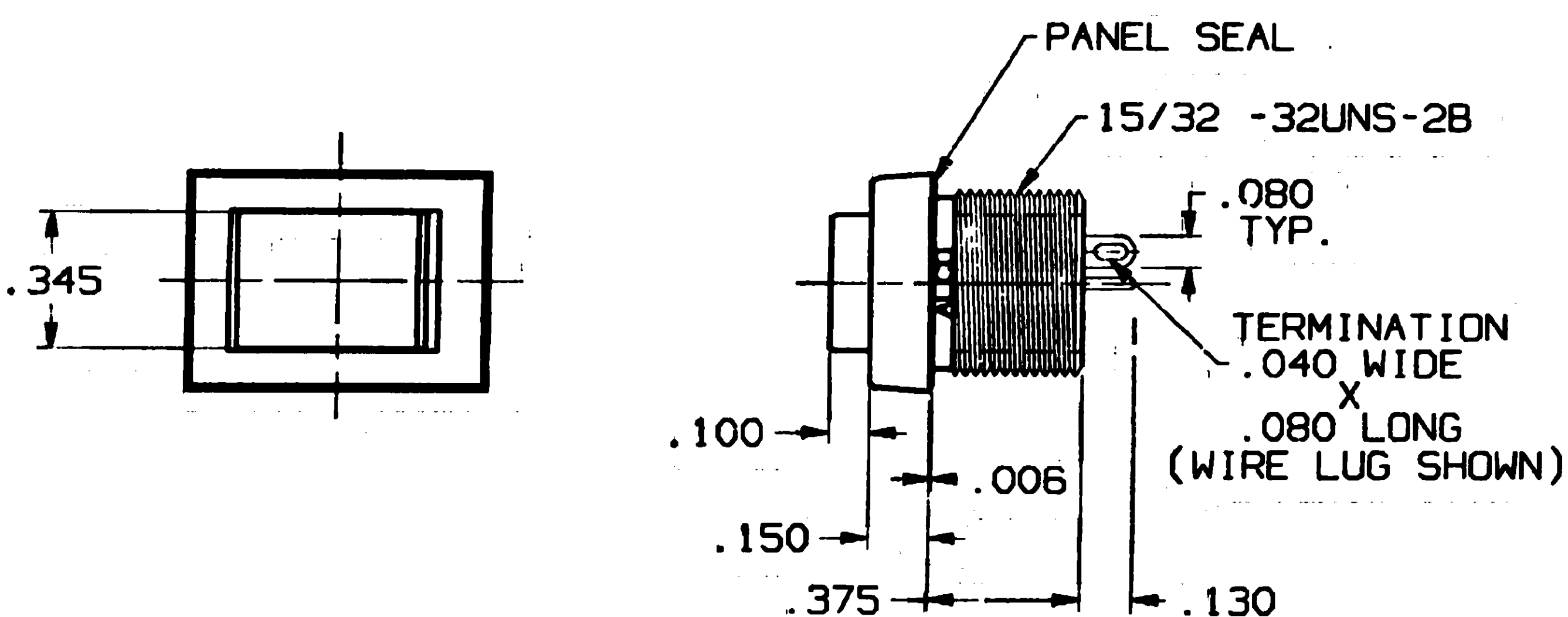
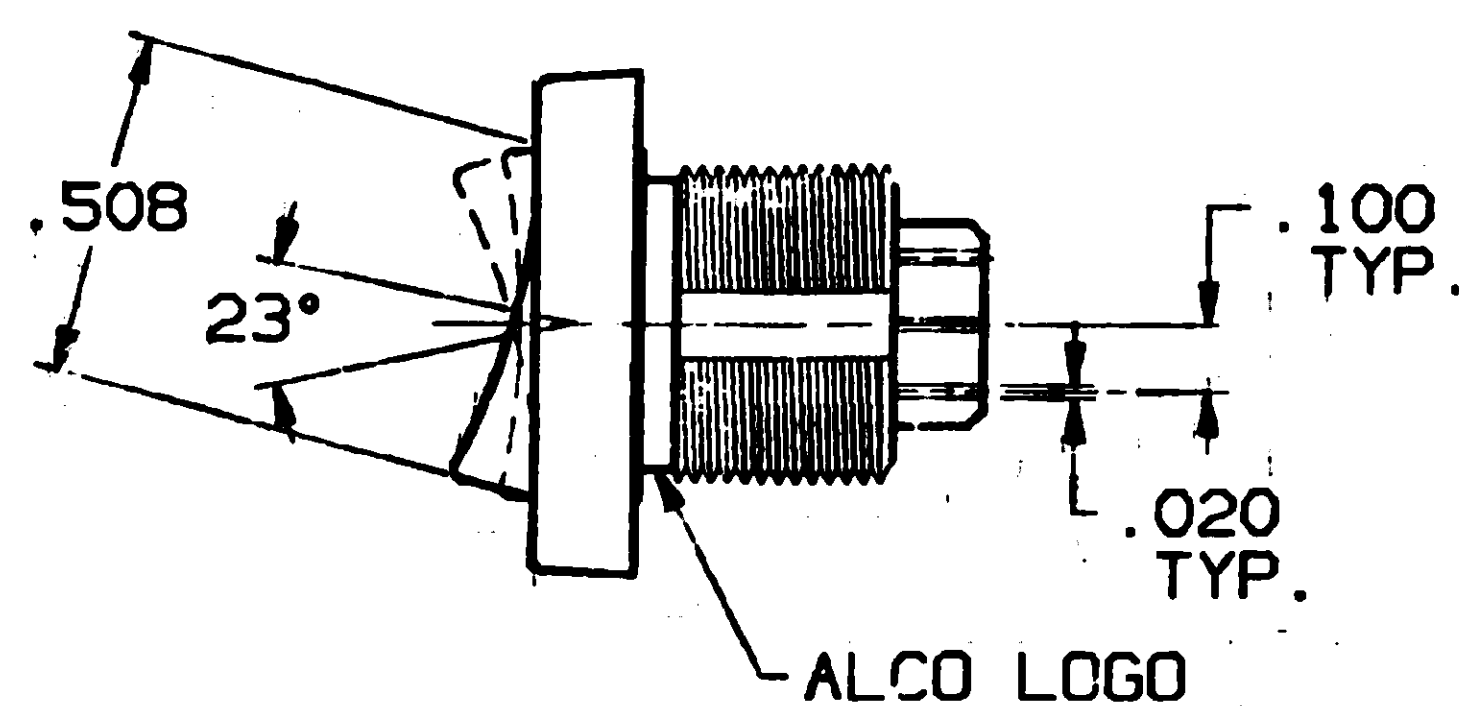


CONVERSION CHART	
INCH	MM
.006	0.15
.010	0.25
.020	0.51
.040	1.02
.080	2.03
.100	2.54
.130	3.30
.130	3.30
.120	3.05
.150	3.81
.160	4.10
.345	8.76
.375	9.53
.415	10.54
.410	10.41
.445	11.30
.440	11.18
.475	12.07
.470	11.94
.508	12.9
.522	13.25
.550	13.97
.750	19.05



**SPECIFICATIONS:**

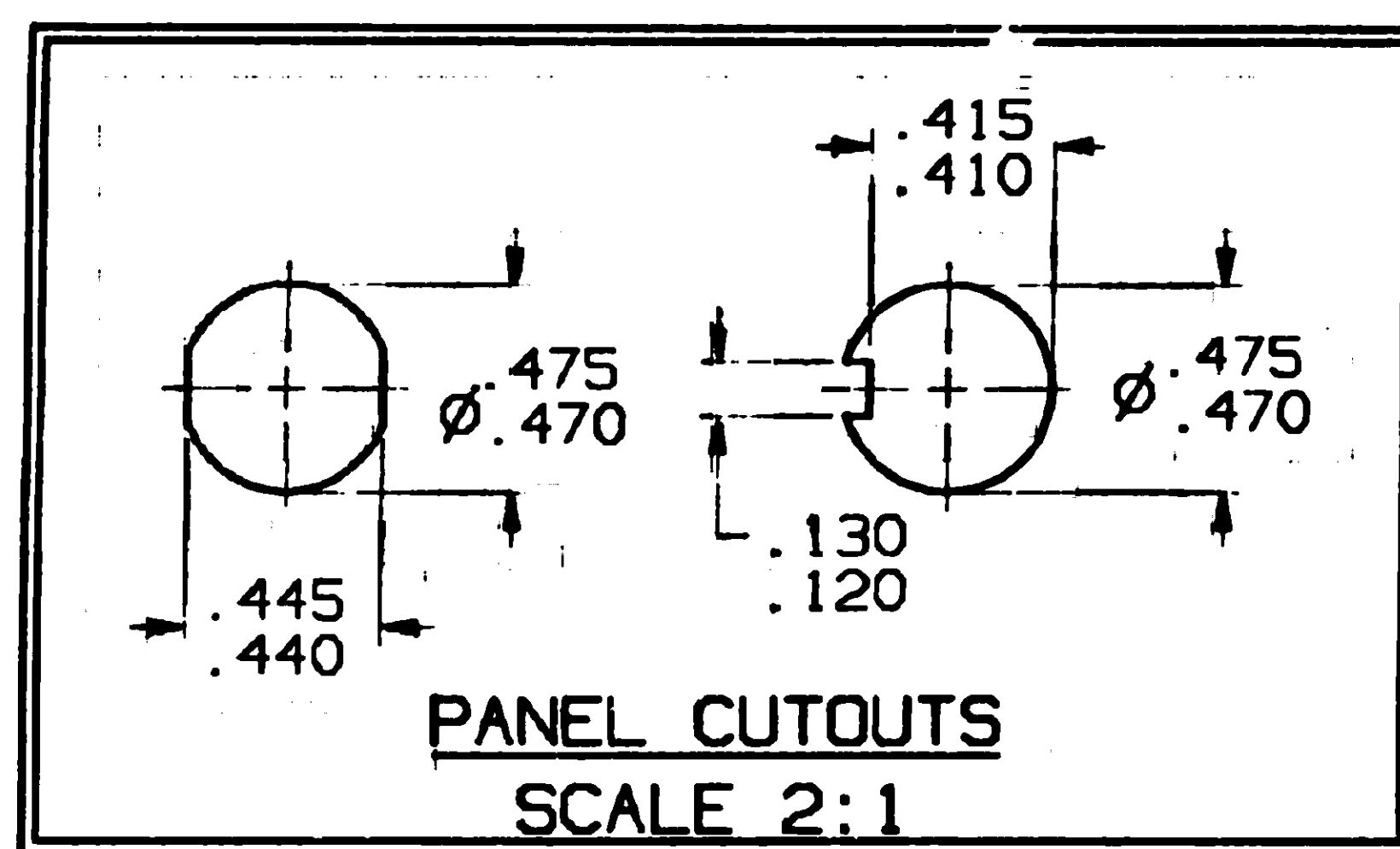
**MATERIAL:**  
CASE: POLYAMIDE.  
ACTUATOR: POLYAMIDE.  
MOVING CONTACT: COPPER ALLOY, GOLD 0.4A OVER NICKEL.  
FIXED CONTACT: COPPER ALLOY, GOLD 0.4A OVER NICKEL.  
TERMINALS: COPPER ALLOY, GOLD 0.4A OVER NICKEL.

**ELECTRICAL:**  
CONTACT RATING: GOLD: 0.4 VA MAX. @ 20 VDC OR PEAK AC.  
INITIAL CONTACT RESISTANCE: 20 MILLIOHMS MAX.  
INSULATION RESISTANCE: 1000 MEGOHMS MIN. @ 500 VDC.  
DIELECTRIC STRENGTH: 500 V RMS @ SEA LEVEL.  
LIFE EXPECTANCY: 100,000 CYCLES MIN. (2 POSITION).  
50,000 CYCLES MIN. (3 POSITION).

**ENVIRONMENTAL:**  
OPERATING TEMPERATURE: -4°F TO +176°F (-20°C TO +80°C).  
STORAGE TEMPERATURE: -49°F TO +199°F (-45°C TO 93°C).

**NOTES:**

- INTERPRET DRAWING PER ASME Y14.5M-1994.
- MOUNTING HARDWARE: (1) 5/8" HEX NUT AND (1) INTERNAL TOOTH LOCKWASHER SUPPLIED WITH SWITCH.



FUNCTION CHART			
TRD11G-1-XX	(2-3)	OFF	(2-1)
TRD11H-1-XX	2-3	OFF	(2-1)
TRD11F-1-XX	2-3	NONE	(2-1)
TRD11E-1-XX	2-3	OFF	2-1
TRD11D-1-XX	2-3	NONE	2-1

SWITCH ACTION			
---------------	--	--	--

( ) - INDICATES A MOMENTARY CIRCUIT CLOSURE.  
TERMINALS CONNECTED WHEN TOGGLE IS IN POSITION SHOWN.  
NOTE: TERMINAL DESIGNATION NUMBERS ARE FOR REFERENCE ONLY, AND DO NOT APPEAR ON SWITCHES.

ROCKER COLORS	
0-BLACK	
2-RED	
6-BLUE	
9-WHITE	

XX TERMINATIONS	
WL WIRE LUG	
QC QUICK CONNECT	
WW WIRE WRAP	
PC PRINTED CIRCUIT	

THIS IS A C.A.D. GENERATED DRAWING.  
DO NOT MAKE MANUAL REVISIONS TO MASTER.

**OUTLINE DRAWING**  
SPECIFICATIONS ARE SUBJECT TO CHANGES WITHOUT NOTICE

REV	DESCRIPTION
0	INT'L RELEASE ESR/AB486 TRU-D 7-09-97 APP'D JLS 7-22-97

UNLESS OTHERWISE SPECIFIED DIMENSIONS ARE IN INCHES DO NOT SCALE PRINT

FILE NAME: 40319OUT    DIRECTORY: ROKSWTCH

MATERIAL: SEE SPECIFICATIONS

FINISH: SEE SPECIFICATIONS

ORIGINAL DATE OF DRAWING: 7-09-97

DRAWN: TRUDY    DATE: 7-09-97

CHECKED:    DATE:   

APPROVED:    DATE:   

CODE IDENT. NO. 91506    DWG. SIZE C

NEXT ASSY.   

THIRD ANGLE PROJECTION

TOLERANCES (EXCEPT AS NOTED)  
ANGULAR = ± 3°  
DECIMAL .XX = ± .010  
DECIMAL .XXX = ± .010  
DECIMAL .XXXX = ± .010

**AUGAT CONFIDENTIAL**  
This document contains information which is the exclusive property of Augat Inc.  
Distribution, reproduction or use by others is not permitted without the expressed written consent of Augat Inc.

**AUGAT** INC. 45 JOHN DIETSCH BLVD. BURLINGTON, MASS. 02763

TITLE: **OUTLINE DRAWING**  
**ROCKER SWITCH**  
**(TRD SPDT SERIES)**

DWG. NO. 40319    REV. 0

PRODUCT CODE:   

SCALE: 1 1/2" = 1"    SHEET 1 OF 1