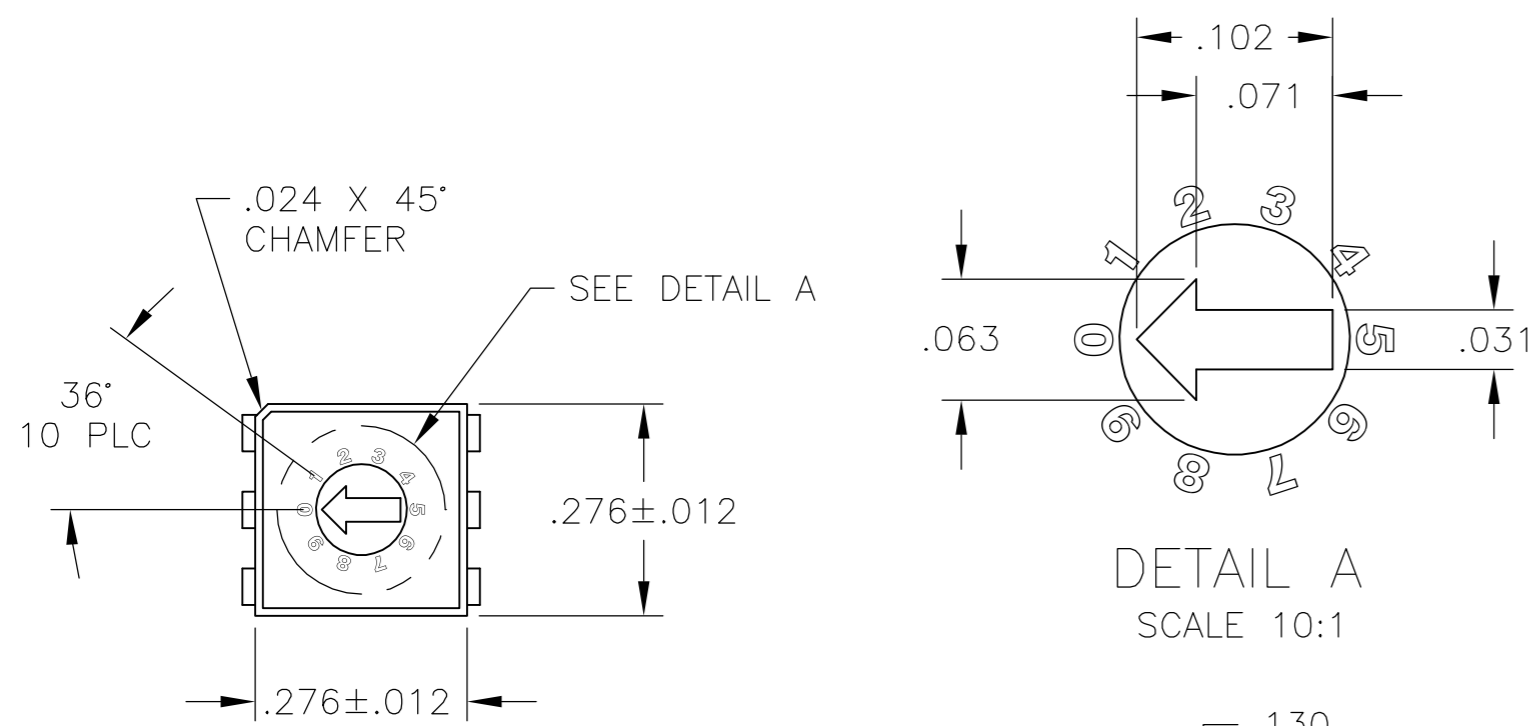
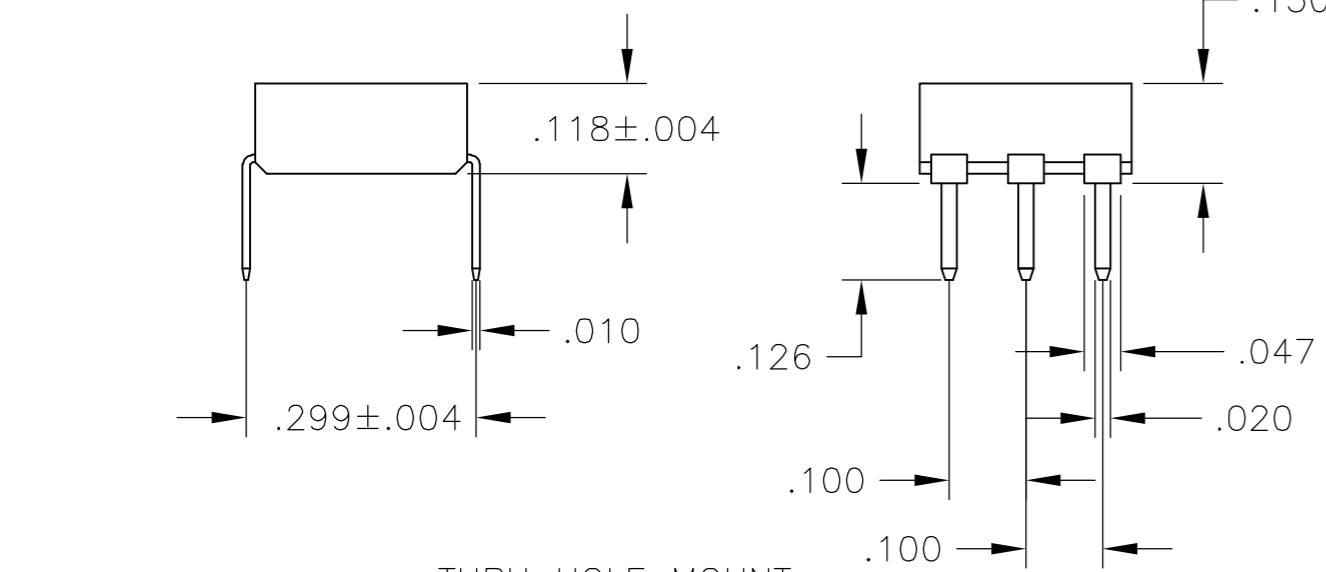


THIS DRAWING IS UNPUBLISHED. RELEASED FOR PUBLICATION
 © COPYRIGHT BY TYCO ELECTRONICS CORPORATION. ALL RIGHTS RESERVED.

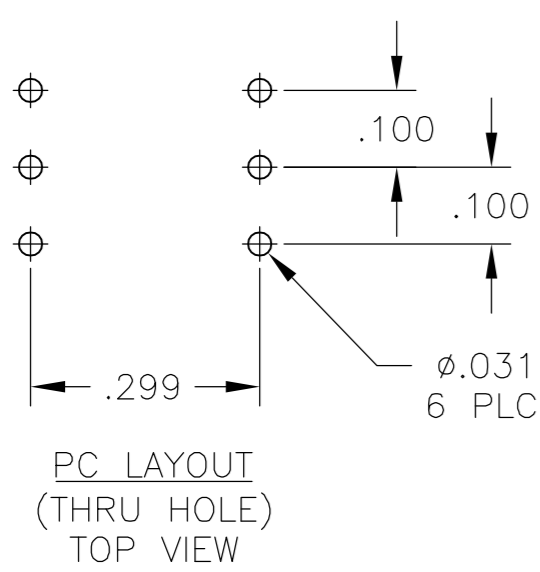
LOC		DIST		REVISIONS			
P	LTR	DESCRIPTION	DATE	DWN	APVD		
AD	00	A	ECO-05-14190	22FEB06	MB	MS	



DETAIL A
SCALE 10:1

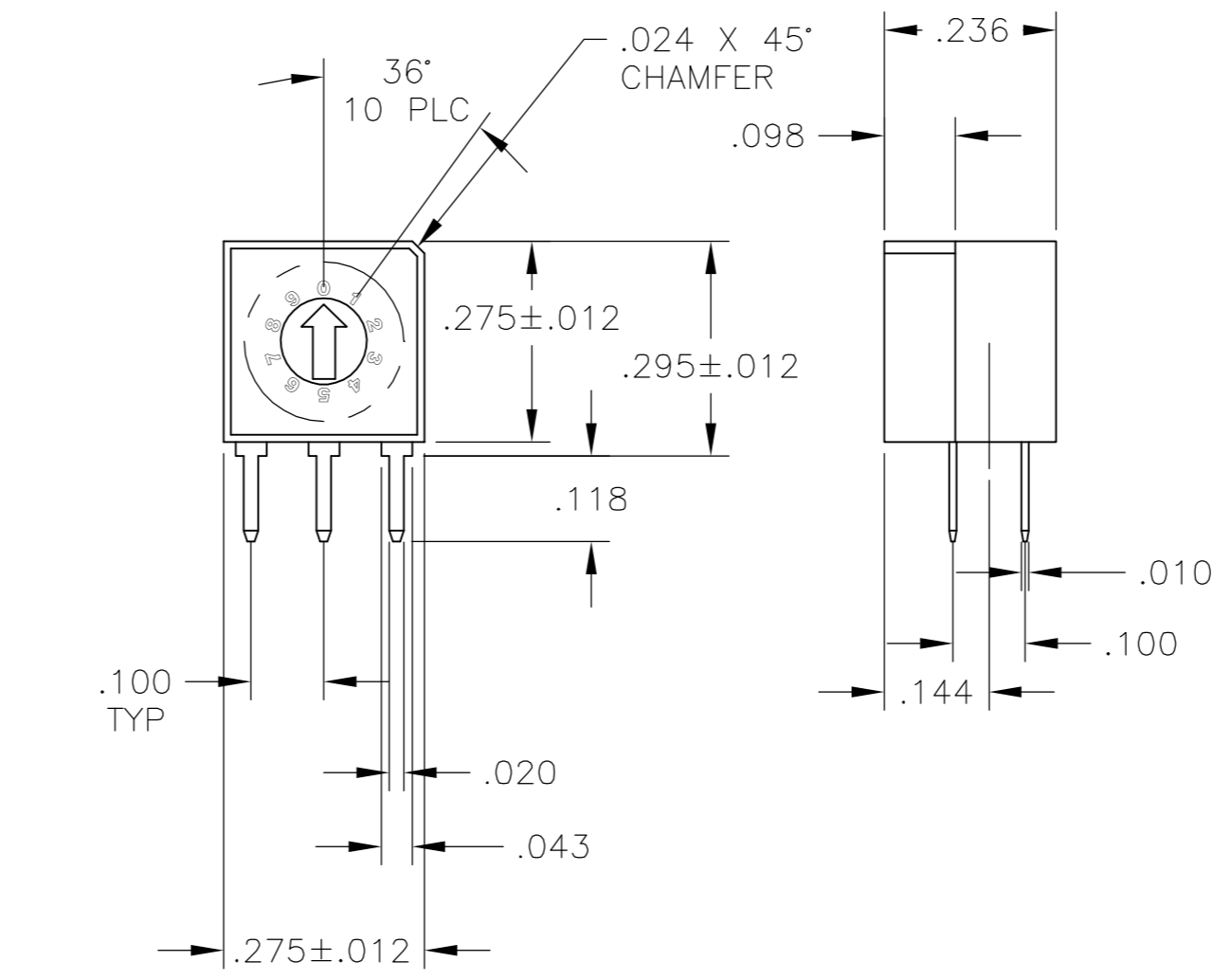


THRU HOLE MOUNT

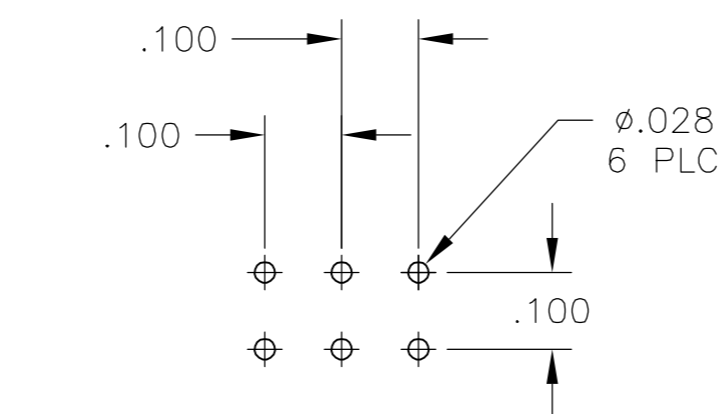


PC LAYOUT
(THRU HOLE)
TOP VIEW

TERMINATION IDENTIFICATION
VIEWED FROM BOTTOM OF SWITCH



RIGHT ANGLE THRU HOLE MOUNT



PC LAYOUT
(RIGHT ANGLE THRU HOLE)
TOP VIEW

HOW TO ORDER: MRD- [] [] []

CIRCUIT TYPES:
 10 = BC DECIMAL
 10C = BCD COMPLIMENT
 16 = HEXADECIMAL
 16C = HEXADECIMAL COMPLIMENT

TERMINATIONS:
 BLANK = PC
 S = OUTSIDE L, SURFACE MOUNT
 RA= RIGHT ANGLE

PACKAGING:
 TR = TAPE & REEL
 (SURFACE MOUNT ONLY
 SEE SHEET 3)

- NOTES:
- ALL MATERIALS AND FINISHES SHALL COMPLY WITH EU DIRECTIVE 2002/95/EC OF 27JAN2003 (ROHS)
 - TO BE SUPPLIED WITH ACTUATOR AT POSITION "7" FOR MRD10C & MRD10CS, POSITION "F" FOR MRD16C & MRD16CS AND POSITION "O" FOR ALL REMAINING MODELS
 - TAPE & REEL PKG PER EIA 481 TAPE WIDTH 16mm, PITCH 16mm.

Green	MRD16RASTR04	2-1825013-4
White	MRD16CRASTR04	2-1825013-3
Red	MRD10RASTR04	2-1825013-2
Orange	MRD10CRASTR04	2-1825013-1
Green	MRD16STR04	2-1825013-0
Green	MRD16S04	1-1825013-9
Green	MRD16RAS04	1-1825013-8
Green	MRD16RA04	1-1825013-7
White	MRD16CSTR04	1-1825013-6
White	MRD16CS04	1-1825013-5
White	MRD16CRAS04	1-1825013-4
White	MRD16CRA04	1-1825013-3
White	MRD16C04	1-1825013-2
Green	MRD1604	1-1825013-1
Red	MRD10STR04	1-1825013-0
Red	MRD10S04	1825013-9
Red	MRD10RAS04	1825013-8
Red	MRD10RA04	1825013-7
Orange	MRD10CSTR04	1825013-6
Orange	MRD10CS04	1825013-5
Orange	MRD10CRAS04	1825013-4
Orange	MRD10CRA04	1825013-3
Orange	MRD10C04	1825013-2
Red	MRD1004	1825013-1
Rotor Color	Old T&B P/N	TYCO P/N

MATERIAL
 CASE & COVER, PPS, UL94V-0, BLACK
 ACTUATOR/ROTOR, PA46, UL94V-0, SEE P/N TABLE FOR COLOR
 FIXED CONTACT/TERMINAL: COPPER ALLOY-GOLD OVER NICKEL PLATE
 MOVING CONTACT, COPPER ALLOY- GOLD OVER NICKEL PLATE
 PLATE, STAINLESS STEEL
 SPRING, STAINLESS STEEL
 O-RING, RUBBER

MECHANICAL
 OPERATING FORCE, 200 GRAMS MAX.
 MECHANICAL LIFE, 20,000 STEPS MIN., NO LOAD

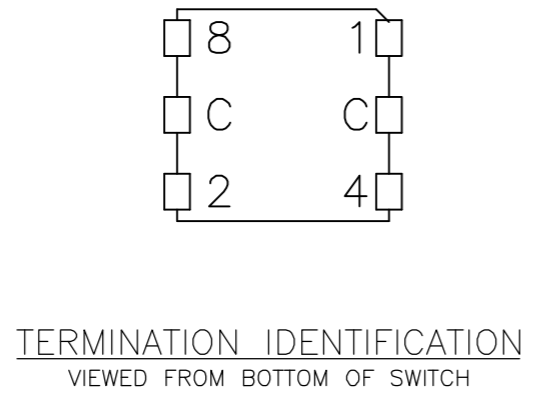
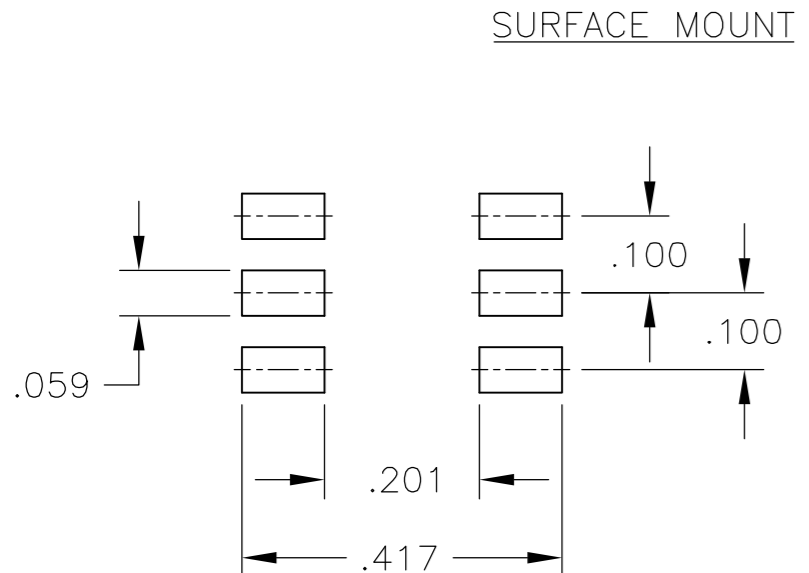
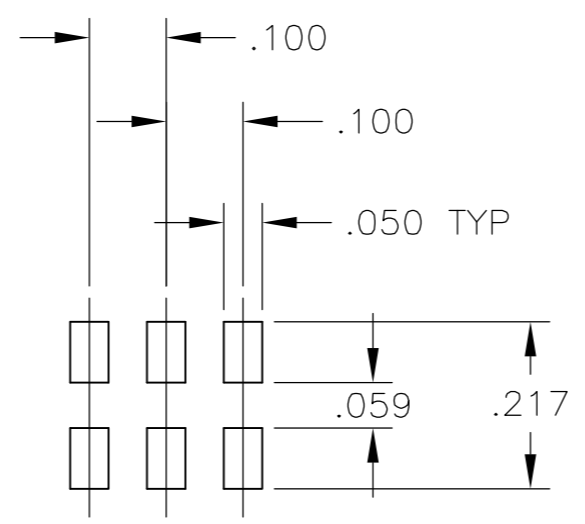
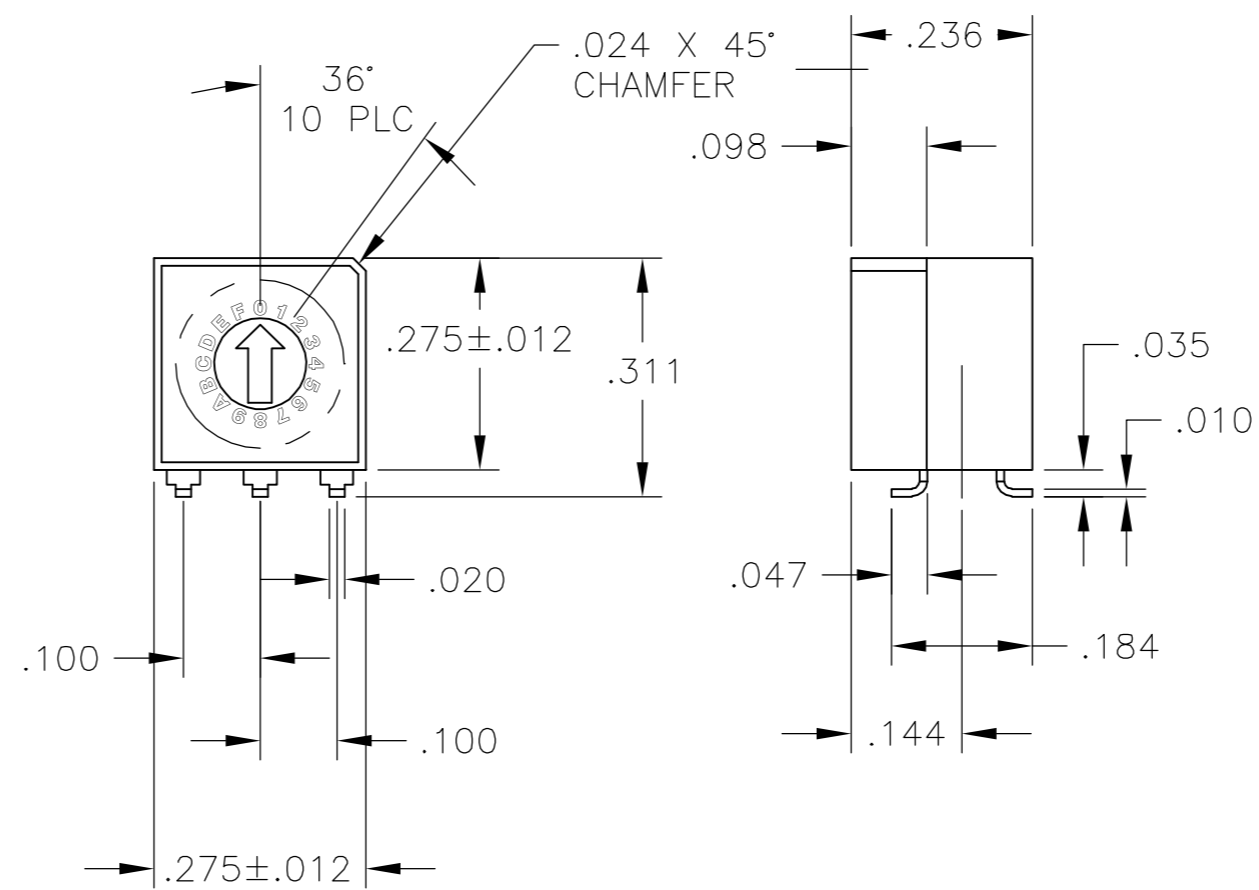
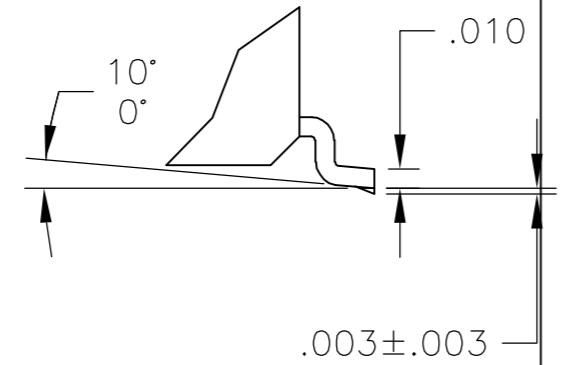
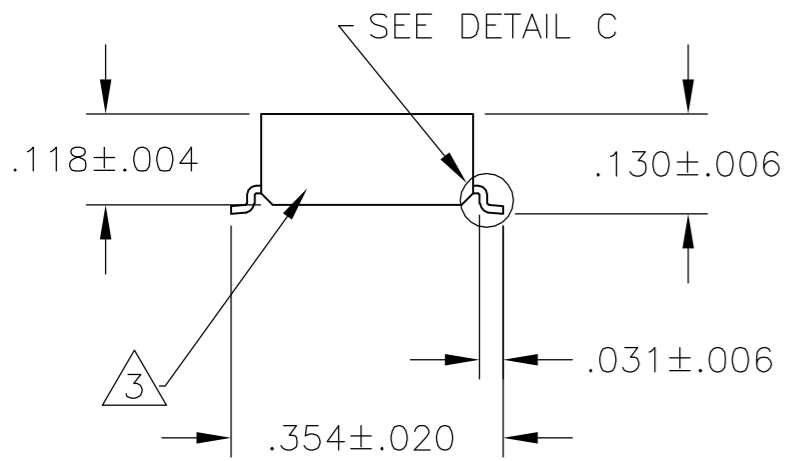
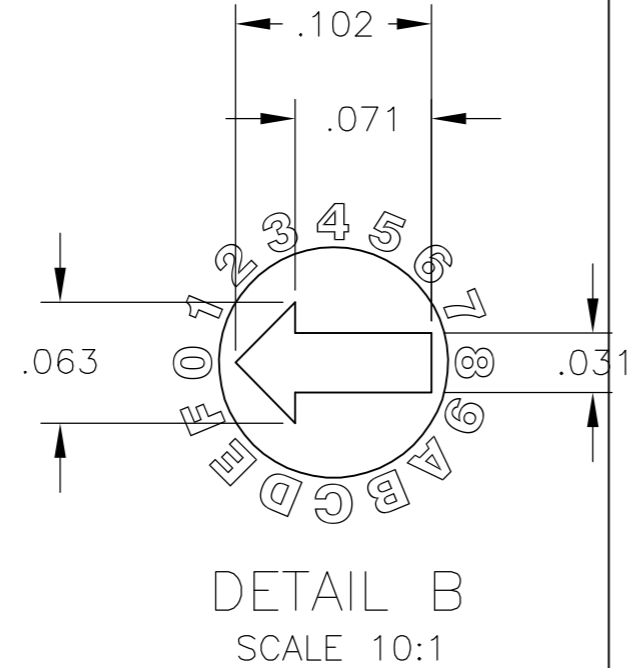
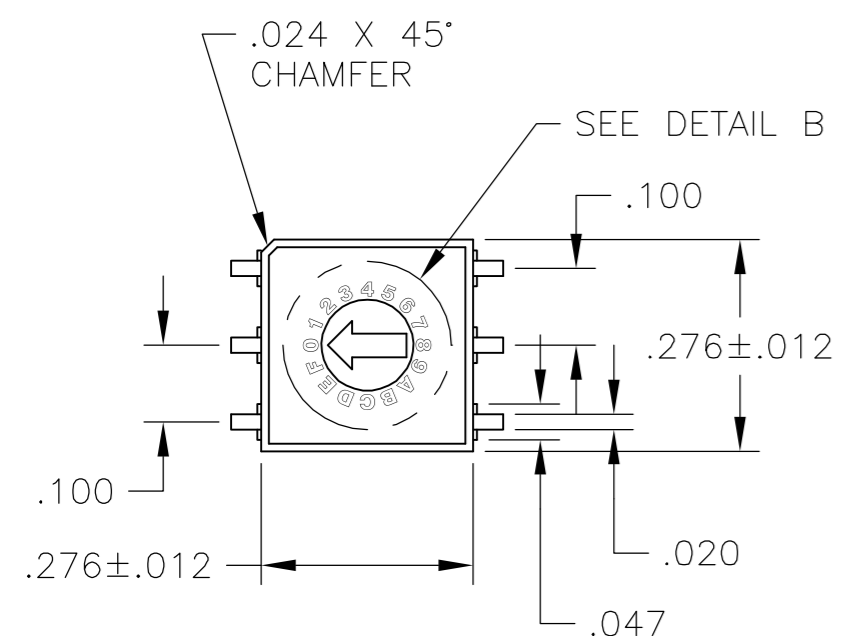
ENVIRONMENTAL
 OPERATING TEMPERATURE, -30 TO +85 DEGREES C
 STORAGE TEMPERATURE, -45 TO + 100 DEGREES C
 VIBRATION, PER EIA-364-28D, CONDITION 1
 MECHANICAL SHOCK, PER EIA-364-27B, CONDITION A
 RESISTANCE TO SOLDER HEAT PER 109-202 CONDITION B (THRU-HOLE), & 109-201, CONDITION B (SURFACE MOUNT)
 SOLDERABILITY PER JIS-C-0050 & JIS-C-0053

ELECTRICAL
 MAX CONTACT RATING SWITCHING, .4VA @ 20 V AC OR DC
 MIN CONTACT RATING SWITCHING, 1MICROAMP @ 1 MILLIVOLT
 INITIAL CONTACT RESISTANCE, 100 MILLIOHMS MAX. @ 2V DC
 10MILLIAMPS
 CONTACT RESISTANCE AFTER TEST, 300 MILLIOHMS MAX.
 INSULATION RESISTANCE, 1,000 MEGOHMS MIN. @ 250 VDC
 DIELECTRIC STRENGTH, 250 VAC RMS @ SEA LEVEL
 LIFE, 10,000 STEPS MIN. @ 5V DC 10MILLIAMPS

DIMENSIONS:		TOLERANCES UNLESS OTHERWISE SPECIFIED:		MATERIAL		FINISH		WEIGHT		CUSTOMER DRAWING	
INCHES		0 PLC	± -								
		1 PLC	± -								
		2 PLC	± -								
		3 PLC	± .010								
		4 PLC	± -								
		ANGLES	± 1°								

THIS DRAWING IS UNPUBLISHED. RELEASED FOR PUBLICATION
 © COPYRIGHT BY TYCO ELECTRONICS CORPORATION. ALL RIGHTS RESERVED.

LOC	DIST	REVISIONS					
AD	00	P	LTR	DESCRIPTION	DATE	DWN	APVD
				SEE SHEET 1			



10 POSITION, BCD COMPLEMENT

POS	0	1	2	3	4	5	6	7	8	9
C	X	X	X	X	X	X	X	X	X	X
1	X		X		X		X		X	
2	X	X			X	X			X	X
4	X	X	X	X					X	X
8	X	X	X	X	X	X	X	X		

10 POSITION, BCD

POS	0	1	2	3	4	5	6	7	8	9
C	X	X	X	X	X	X	X	X	X	X
1		X		X		X		X		X
2			X	X			X	X		
4					X	X	X	X		
8									X	X

16 POSITION, HEXADECIMAL

POS	0	1	2	3	4	5	6	7	8	9	A	B	C	D	E	F
C	X	X	X	X	X	X	X	X	X	X	X	X	X	X	X	X
1		X		X		X		X		X		X		X		X
2			X	X			X	X			X	X			X	X
4					X	X	X	X					X	X	X	X
8									X	X	X	X	X	X	X	X

16 POSITION, HEXADECIMAL COMPLEMENT

POS	0	1	2	3	4	5	6	7	8	9	A	B	C	D	E	F
C	X	X	X	X	X	X	X	X	X	X	X	X	X	X	X	X
1	X		X		X		X		X		X		X		X	
2	X	X			X	X			X	X			X	X		
4	X	X	X	X					X	X	X	X				
8	X	X	X	X	X	X	X	X								

COLOR CODE

CIRCUIT TYPE	ACTUATOR COLOR
10	RED
10C	ORANGE
16	GREEN
16C	WHITE

THIS DRAWING IS A CONTROLLED DOCUMENT.

DWN	M.BINNER	25JUL02	Tyco Electronics Corporation Harrisburg, PA	
CHK	M.SARVER	25JUL02		
APVD	M.SARVER	25JUL02		
PRODUCT SPEC				
APPLICATION SPEC			NAME	MRD SERIES 7MM ROTARY DIP SWITCH
MATERIAL			SIZE	A2
			CAGE CODE	00779
			DRAWING NO	C=1825013
			RESTRICTED TO	
			SCALE	4:1
			SHEET	2 of 2
			REV	A

CUSTOMER DRAWING