

LOC	DIST	REVISIONS					
AD	00	P	LTR	DESCRIPTION	DATE	DWN	APVD
		B		ECO-07-013753	12JUN07	MB	MS

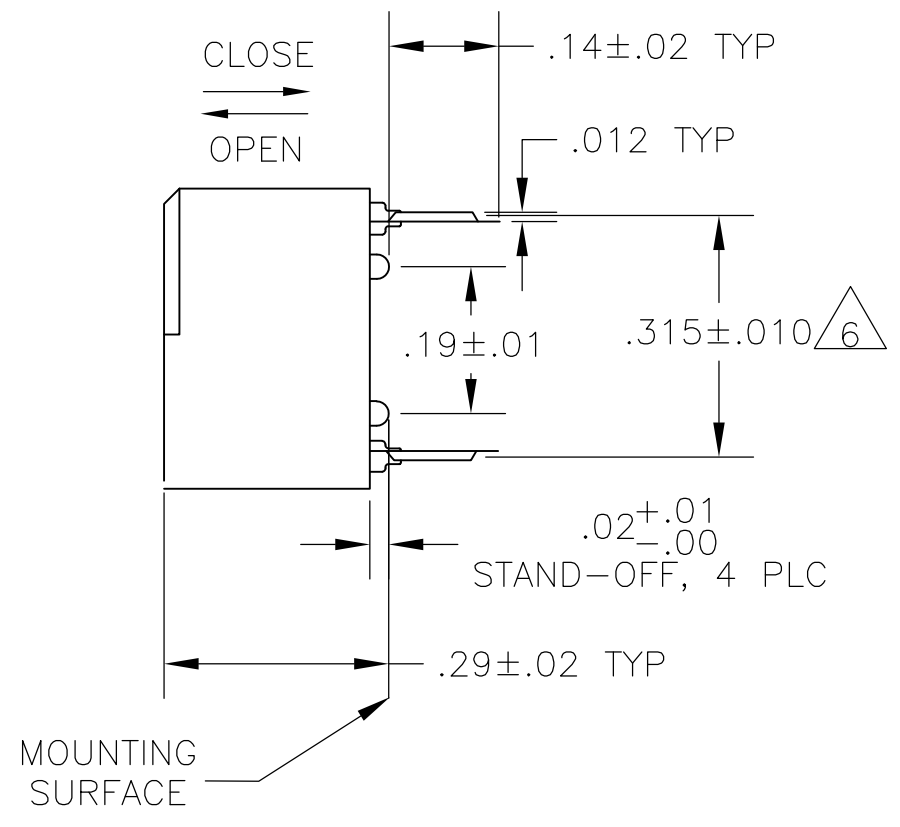
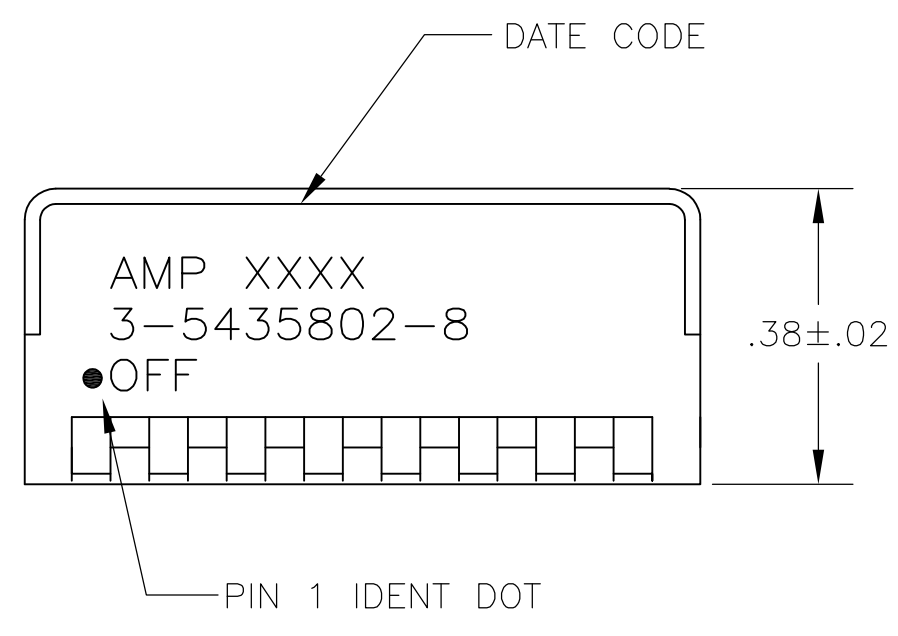
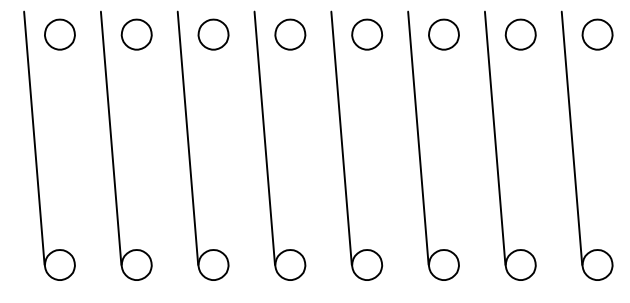
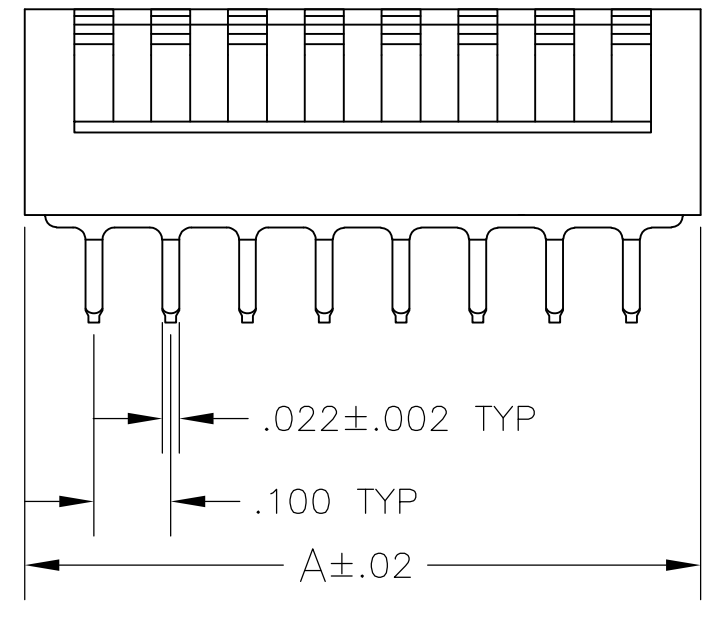


FIG 1



CONTENT ARRANGEMENT

1. FOR ADDITIONAL SPECIFICATIONS SEE AMP PRODUCT SPEC 108-7519.
2. SWITCH SHOWN IN OPEN POSITION.
3. ALL CHARACTERS AND ROCKERS ARE WHITE, HOUSING IS BLACK.
4. STAMPING WILL VARY ON 2 AND 3 POSITION TOPS DUE TO SPACE RESTRICTIONS.
5. STRIPPABLE TRANSPARENT SEAL, SEE FIG 6.
6. .315 DIMENSION APPLIES AT TERMINAL TIPS. TERMINALS ARE .300±.010 AT MOUNTING SURFACE.
7. NO POSITION MARKING.
8. NO PART NO. MARKING.
9. STRIPPABLE TAPE SEAL, SEE FIGURE 8.
10. ALL MATERIALS AND FINISHES SHALL COMPLY WITH EU DIRECTIVE 2002/95/EC OF 27JAN2003 (ROHS)
11. MATERIAL: HOUSING AND ROCKERS - POLYESTER
CONTACT & SOLDER LEAD - COPPER ALLOY
12. FINISH: CONTACT - GOLD OVER NICKEL
SOLDER LEAD - TIN OVER NICKEL

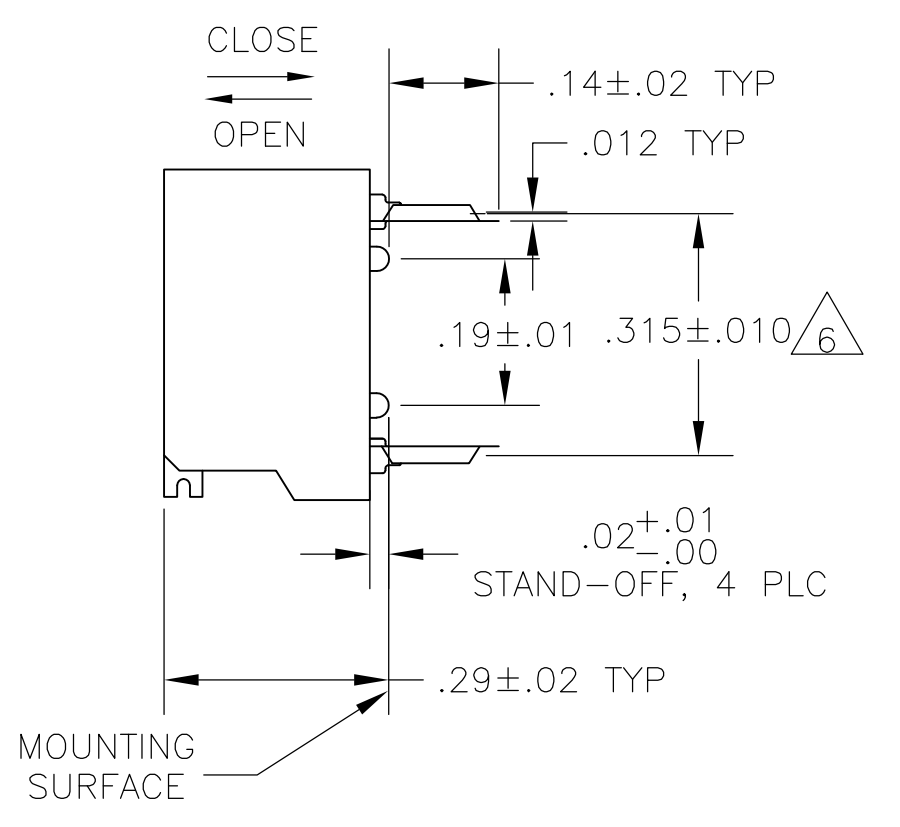
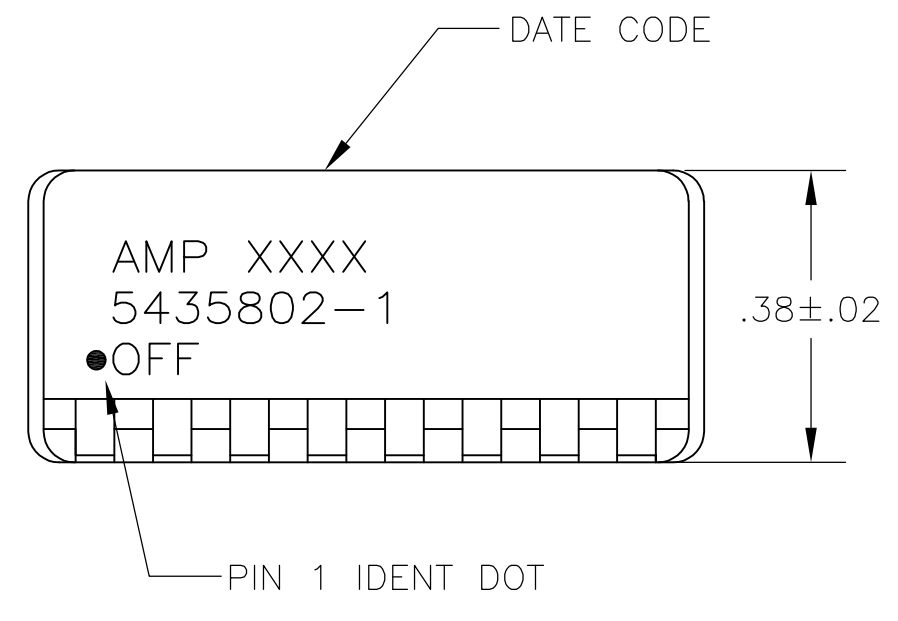


FIG 2

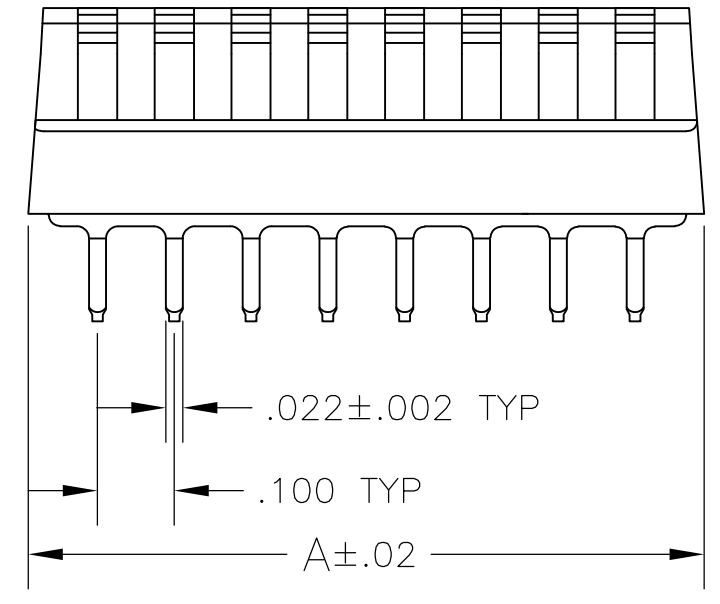


FIG 2	FIG 3A& 7		1.08	10	6-5435802-3
FIG 1	FIG 3B	9	.88	8	3-5435802-8
FIG 2	7 8	5	.88	8	3-5435802-0
FIG 2	7 8	5	.48	4	2-5435802-9
FIG 2	FIG 3A	5	1.28	12	2-5435802-2
FIG 2			1.18	11	2-5435802-1
FIG 2			1.08	10	2-5435802-0
FIG 2			.98	9	1-5435802-9
FIG 2			.78	7	1-5435802-8
FIG 2			.68	6	1-5435802-7
FIG 2			.58	5	1-5435802-6
FIG 2	8		.48	4	1-5435802-5
FIG 2	FIG 3A		1.28	12	1-5435802-2
FIG 1	8		.28	2	1-5435802-0
FIG 2	FIG 3A	5	.88	8	5435802-9
FIG 2			1.08	10	5435802-8
FIG 2			.98	9	5435802-7
FIG 2			.78	7	5435802-6
FIG 2			.68	6	5435802-5
FIG 2			.58	5	5435802-4
FIG 2	8		.48	4	5435802-3
FIG 2	8		.38	3	5435802-2
FIG 2	FIG 3A		.88	8	5435802-1
HOUSING	MARKING	PROT-ECTIVE SEAL	A	NO OF POSN	PART NO

5435802-1 SHOWN

THIS DRAWING IS A CONTROLLED DOCUMENT.

DWN	R. TALLEY	19-9-89
CHK	R. MILLER	19-9-89
APVD	H. LEITER	19-9-89

Tyco Electronics Corporation
Harrisburg, Pa 17105-3608

NAME: SWITCH ASSY, DIP, TYPE C, 7000 SERIES, SPST, SIDE ACTUATED

SIZE	CAGE CODE	DRAWING NO	RESTRICTED TO
A2	00779	C=5435802	-

SCALE: 4:1 SHEET 1 OF 2 REV B

THIS DRAWING IS UNPUBLISHED. RELEASED FOR PUBLICATION
 © COPYRIGHT BY TYCO ELECTRONICS CORPORATION. ALL RIGHTS RESERVED.

LOC	DIST	REVISIONS			
P	LTR	DESCRIPTION	DATE	DWN	APVD
AD	00	SEE SHEET 1	-	-	-

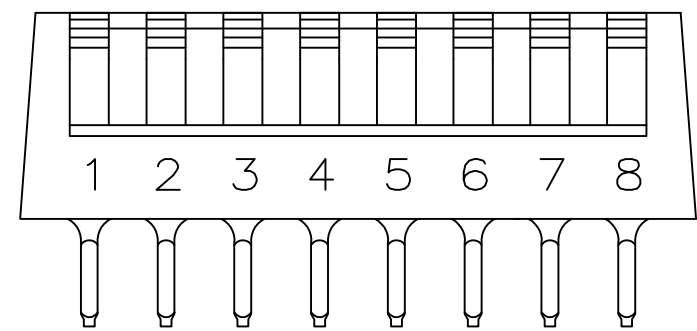


FIG 3A

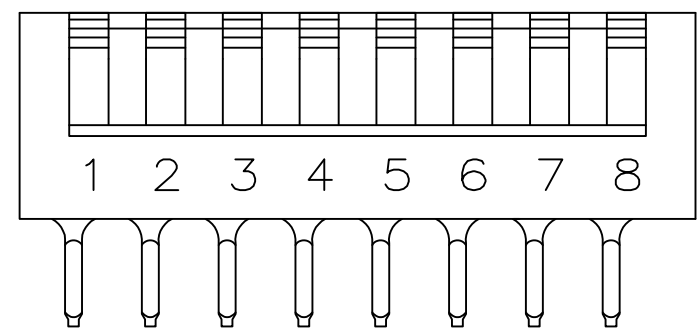


FIG 3B

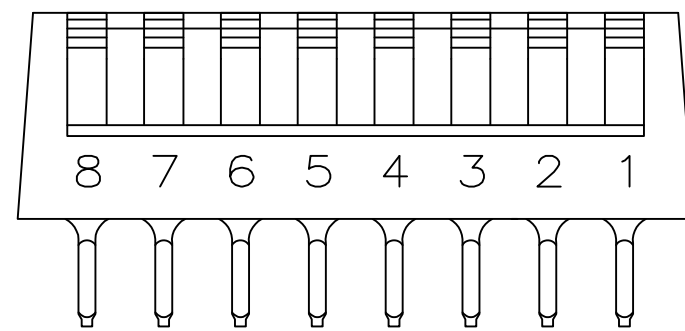
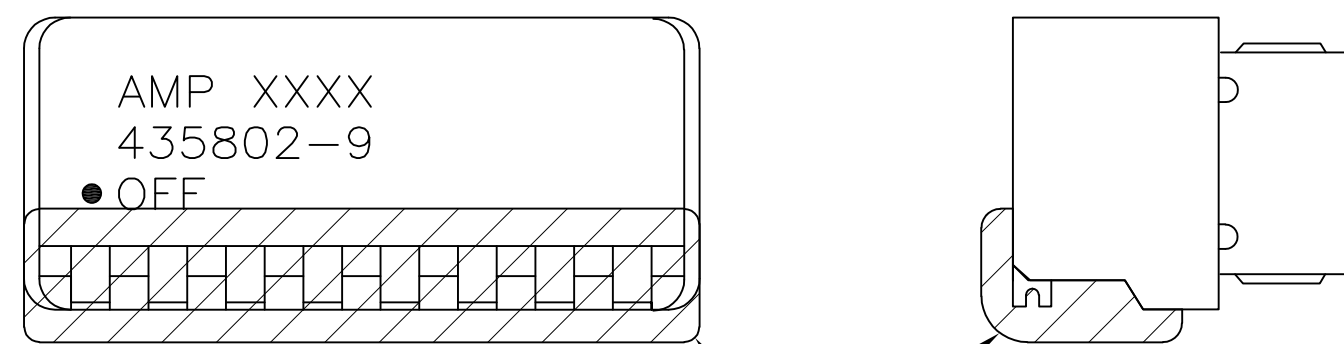
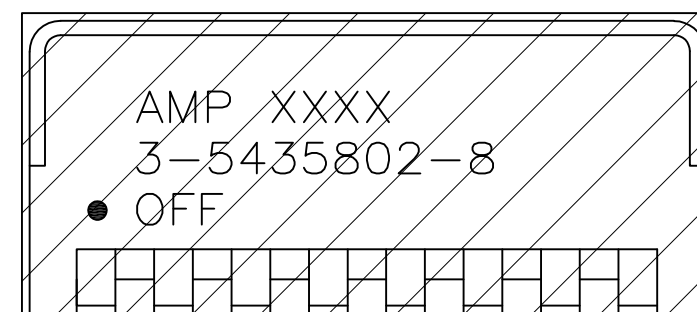


FIG 4



PROTECTIVE SEAL

FIG 6



PROTECTIVE SEAL

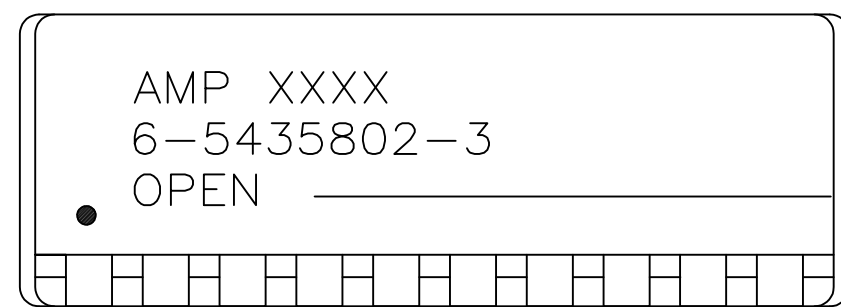


FIG 7

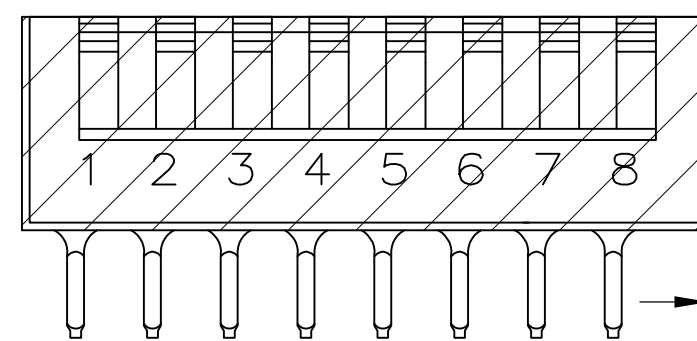


FIG 8

THIS DRAWING IS A CONTROLLED DOCUMENT.		DWN R. TALLEY 19-9-89	Tyco Electronics Corporation Harrisburg, Pa 17105-3608	
DIMENSIONS: INCHES		CHK R. MILLER 19-9-89	NAME	
TOLERANCES UNLESS OTHERWISE SPECIFIED:		APVD H. LEITER 19-9-89	SWITCH ASSY, DIP, TYPE C, 7000 SERIES, SPST, SIDE ACTUATED	
0 PLC ± -		PRODUCT SPEC	SIZE	RESTRICTED TO
1 PLC ± -		APPLICATION SPEC	CAGE CODE	A2 00779
2 PLC ± -		WEIGHT	DRAWING NO	
3 PLC ± .005		FINISH	SCALE	C=5435802
4 PLC ± -		SEE SHEET 1	4:1	
ANGLES ± -		MATERIAL	SHEET	REV
FINISH		SEE SHEET 1	2 OF 2	
MATERIAL SEE SHEET 1		WEIGHT	CUSTOMER DRAWING	B