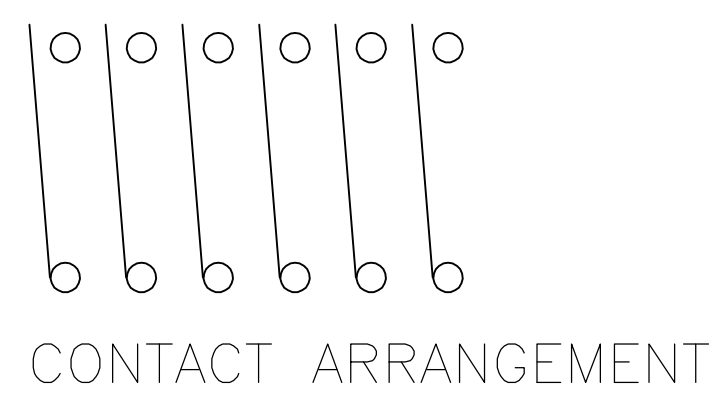
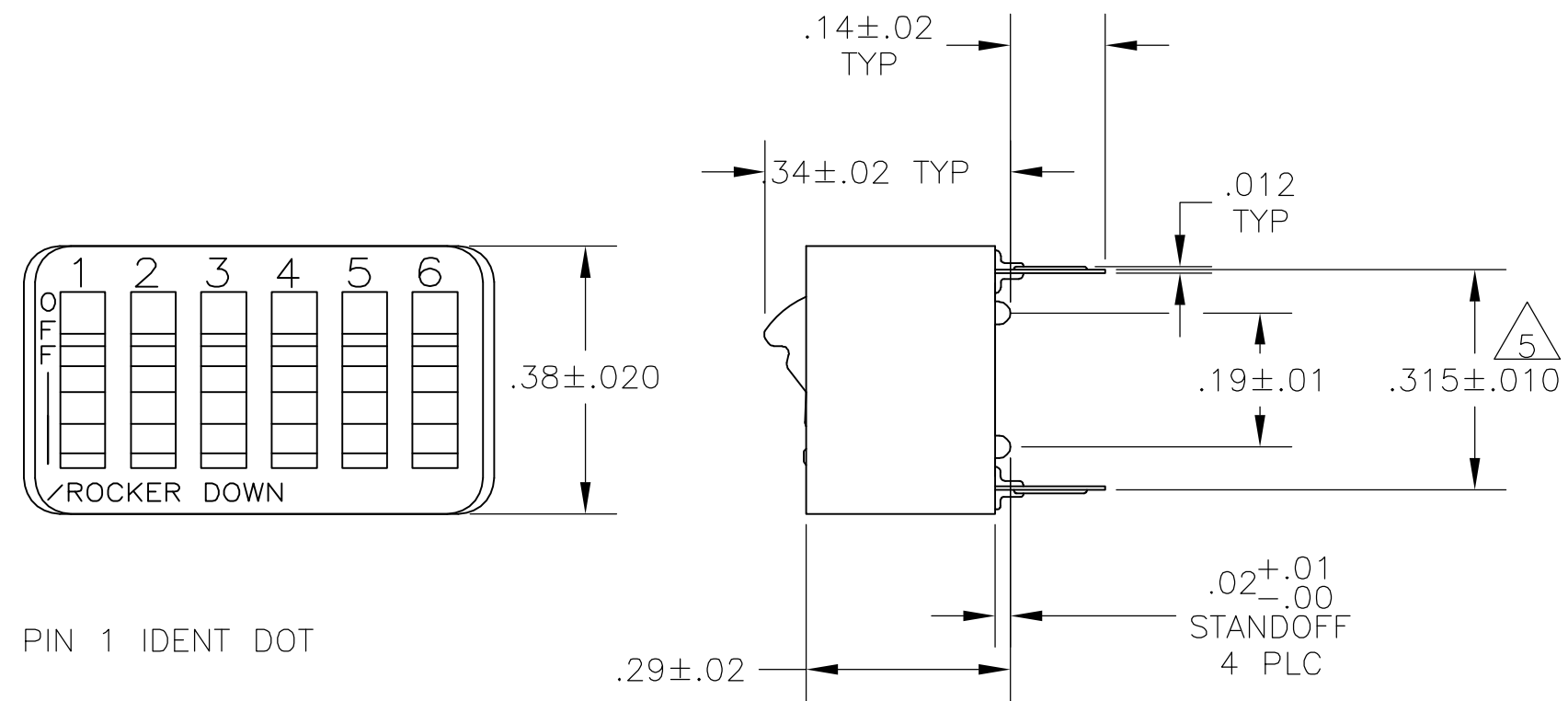


LOC	DIST	REVISIONS			
P	LTR	DESCRIPTION	DATE	DWN	APVD
AD	00	A	ECO-05-9575	27SEP05	MB MS



- FOR ADDITIONAL SPECIFICATIONS SEE AMP PRODUCT SPEC 108-7519.
  - SWITCH SHOWN IN OPEN POSITION.
  - ALL CHARACTERS AND ROCKERS ARE WHITE, HOUSING IS BLACK.
  - STAMPING WILL VARY ON 2 AND 3 POSITION SIDES DUE TO SPACE RESTRICTIONS
- △5 .315 DIMENSION APPLIES AT TERMINAL TIPS. TERMINALS ARE .300 +.010 AT MOUNTING SURFACE. -.000
- △6 STRIPPABLE TRANSPARENT SEAL, SEE FIG 1.
7. ALL MATERIALS AND FINISHES SHALL COMPLY WITH EU DIRECTIVE 2002 /95/EC OF 27JAN2003 (ROHS).
- △8 HOUSING AND ROCKERS-POLYESTER  
CONTACTS AND SOLDER LEADS-COPPER ALLOY
- △9 CONTACTS-GOLD OVER NICKEL  
SOLDER LEADS-TIN OVER NICKEL

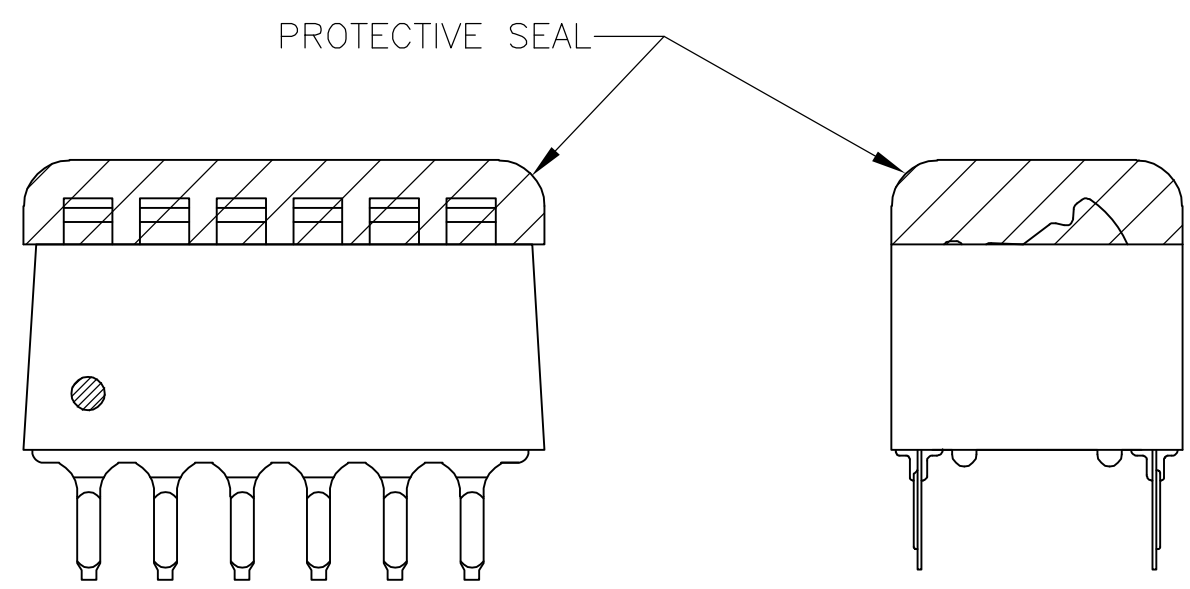
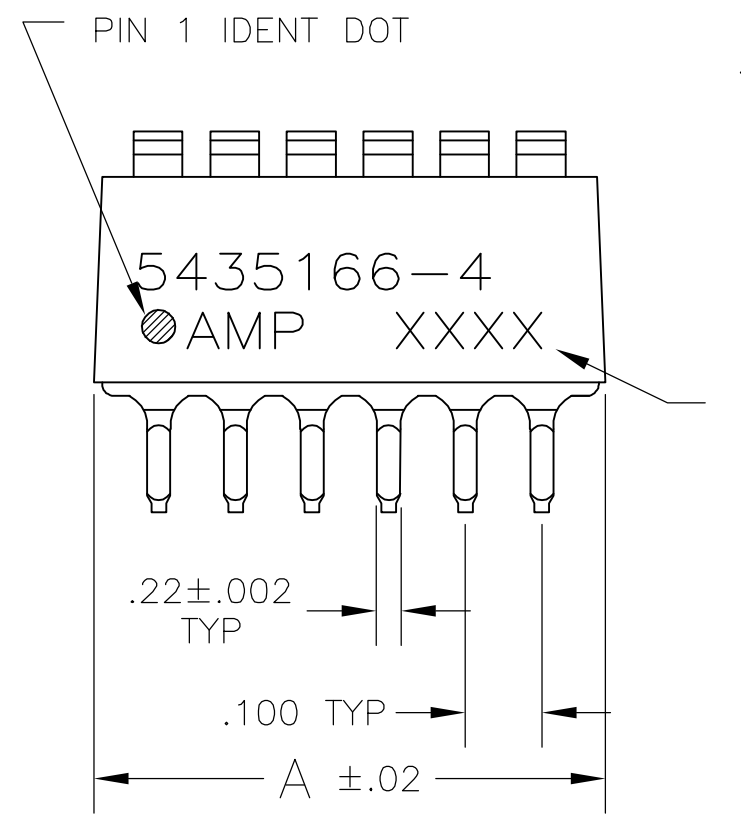


FIG 1

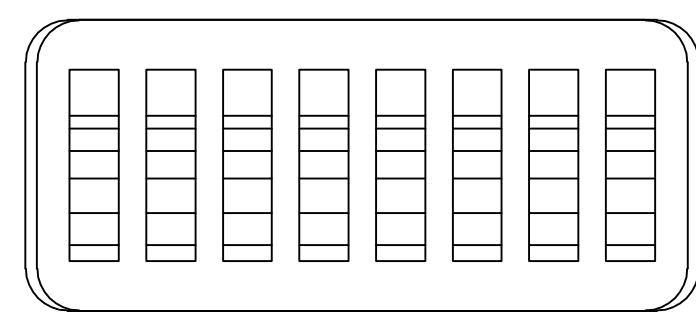


FIG 2

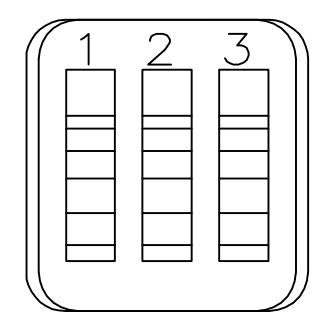


FIG 7

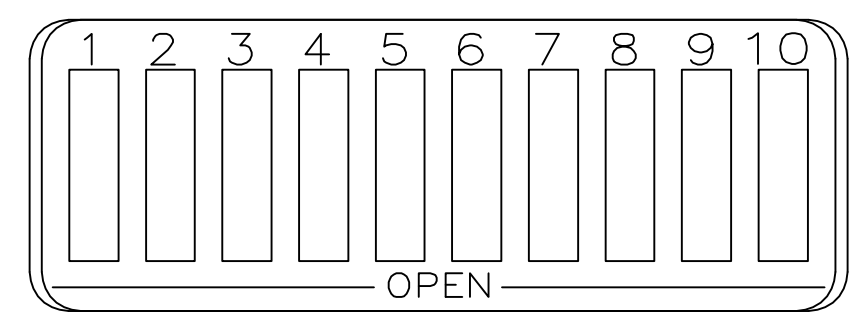


FIG 8

FIG	SEAL	SIZE	NO OF POSN	PART NO
AS SHOWN	△6	1.08	10	7-5435166-4
		1.08	10	5-5435166-5
		.88	8	5-5435166-3
		.78	7	5-5435166-2
		.68	6	5-5435166-1
AS SHOWN	△6	.58	5	5-5435166-0
		.48	4	4-5435166-9
		.28	2	2-5435166-9
		.88	8	2-5435166-8
		1.08	10	5435166-7
AS SHOWN	△6	.88	8	5435166-5
		.68	6	5435166-4
		.48	4	5435166-2
AS SHOWN	△6	.78	7	5435166-1

THIS DRAWING IS A CONTROLLED DOCUMENT.		DWN BSV	10JAN2005	Tyco Electronics Corporation Harrisburg, PA 17105-3608	
DIMENSIONS: INCHES		CHK -	APVD -	NAME	
TOLERANCES UNLESS OTHERWISE SPECIFIED:		PRODUCT SPEC -		APPLICATION SPEC -	
MATERIAL		WEIGHT -	SIZE A2	CAGE CODE 00779	DRAWING NO C=5435166
FINISH		CUSTOMER DRAWING		SCALE 4:1	SHEET 1 of 1