

THIS DRAWING IS UNPUBLISHED. RELEASED FOR PUBLICATION
 © COPYRIGHT BY TYCO ELECTRONICS CORPORATION. ALL RIGHTS RESERVED.

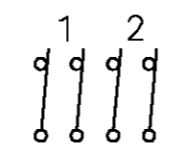
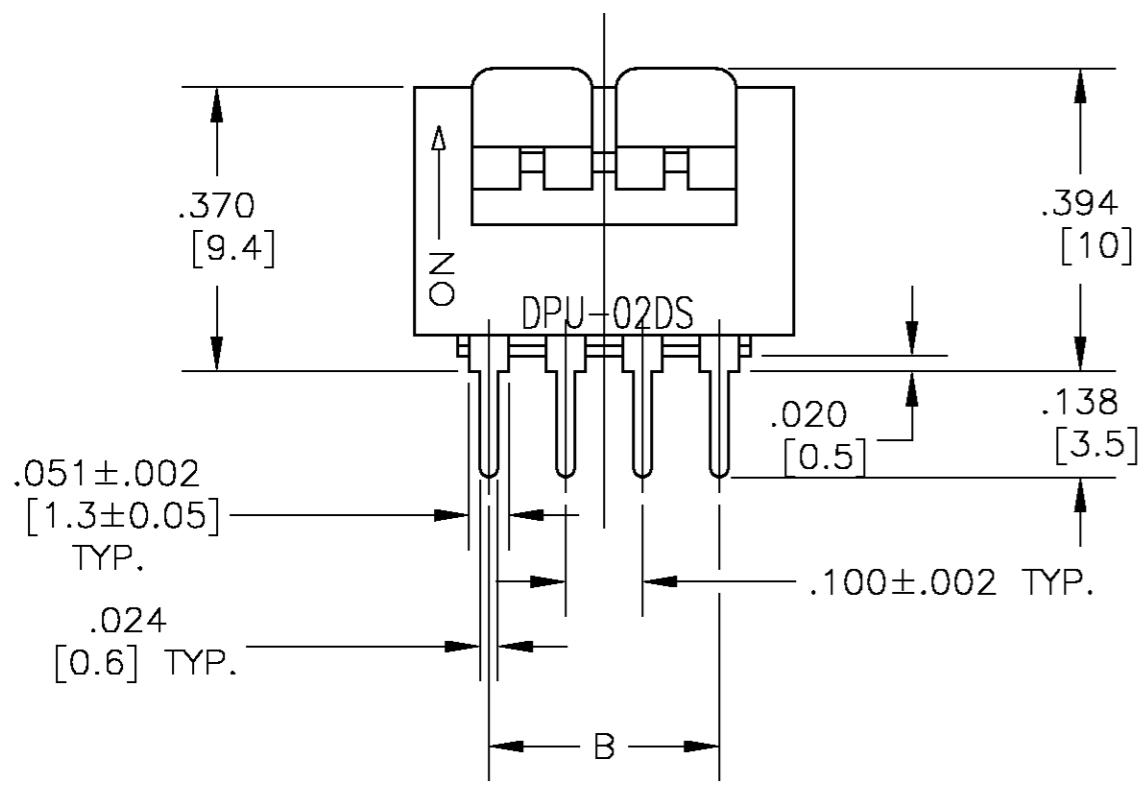
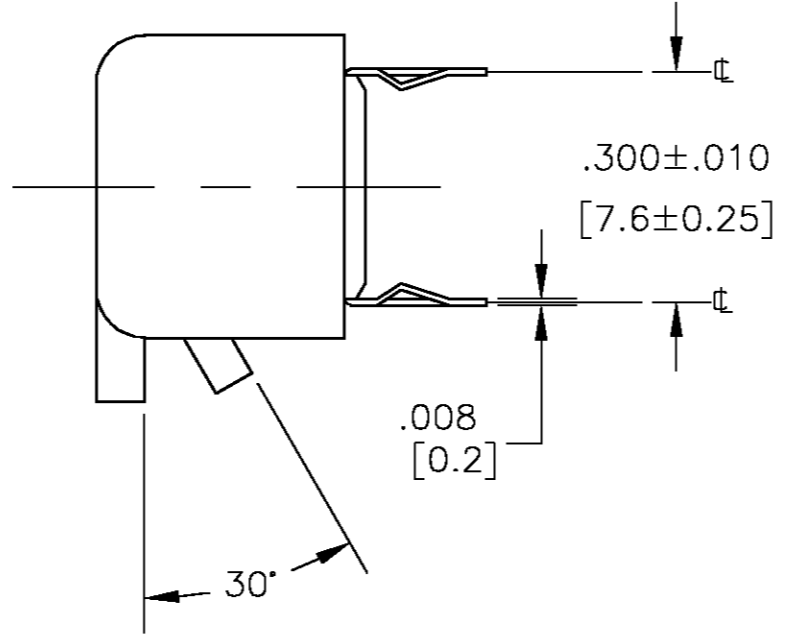
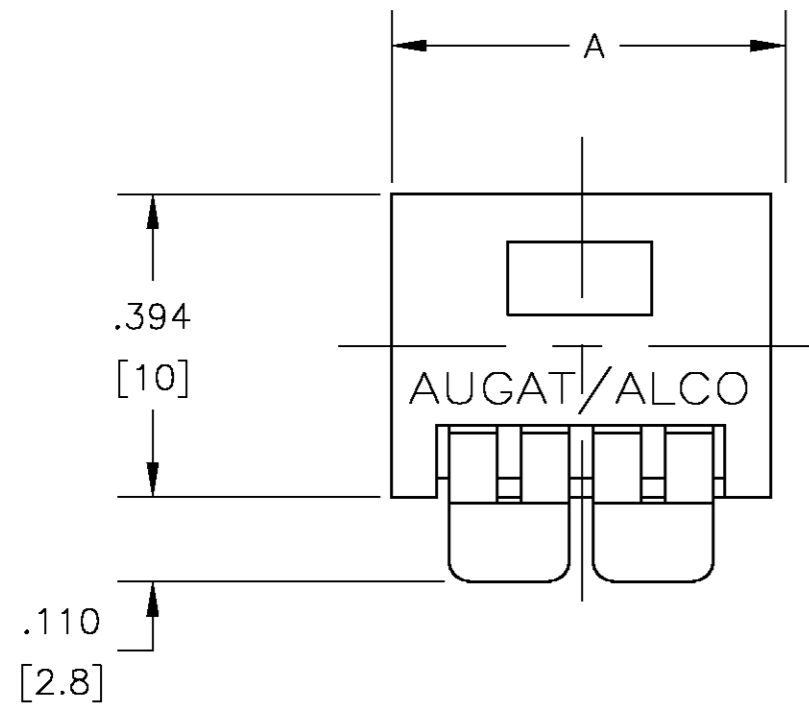
LOC		DIST		REVISIONS			
AD	00	P	LTR	DESCRIPTION	DATE	DWN	APVD
		A		EC 0G3C-0004-04	22JUL04	BSV	MSS

SPECIFICATIONS: UNLESS OTHERWISE SPECIFIED:

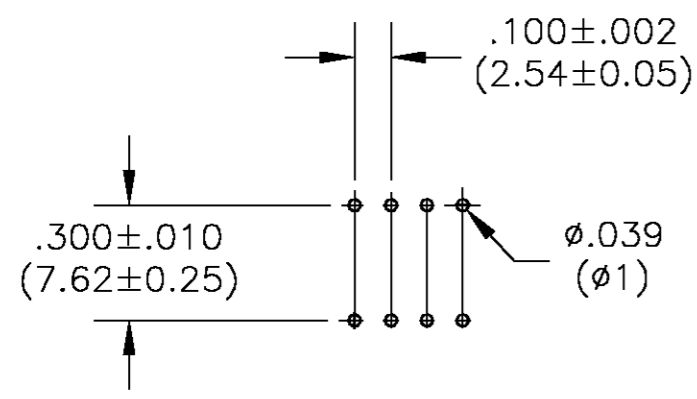
CONTACT RATING: 0.4VA @ 20VDC (MAX.).
 INITIAL CONTACT RESISTANCE: 50 MILLIOHMS (MAX).
 INSULATION RESISTANCE: 100 MEGOHMS (MIN.) @ 100VDC.
 DIELECTRIC STRENGTH: 500VDC AT SEA LEVEL.
 OPERATING FORCE: 400 GRAMS MAX..
 LIFE EXPECTANCY: 1,000 CYCLES.
 ACTUATOR TRAVEL: 30° .
 OPERATING TEMPERATURE: -20°C TO +85°C
 SOLDER HEAT RESISTANCE:
 260°C ±5°C FOR TEN SECONDS WHEN MOUNTED
 ON A .062" THICK PCB WITH SWITCH IN
 "OFF" POSITION.
 HAND SOLDERING: 500°F (260°C) - 660°F (315°C)
 UTILIZING A CONTROLLED 40 WATT
 IRON FOR 3-5 SECONDS MAX.
 STORAGE TEMPERATURE: -55°C TO +85°C

MATERIAL: UNLESS OTHERWISE SPECIFIED:

BASE: PPS UL94 V-0, BLACK.
 HOUSING: PPS UL94 V-0, BLACK.
 ACTUATOR: POLYAMIDE UL94V-0, WHITE
 CONTACTS: COPPER ALLOY, GOLD/NICKEL PLATE
 TERMINALS: COPPER ALLOY, GOLD/NICKEL PLATE



CIRCUIT OF POSITION FOR DPU-02DS



PRINTED CIRCUIT BOARD SPACING AND DRILL SIZE FOR DPU-02DS

1-1437583-3	DPU05DS	1.094	.900±.010	9@.100±.002=.900
1-1437583-1	DPU04DS	0.894	.700±.010	7@.100±.002=.700
	DPU03DS	0.694	.500±.010	5@.100±.002=.500
1437583-8	DPU02DS	0.494	.300±.010	3@.100±.002=.300
TYCO P/N	T&B P/N	DIM A	DIM B	PCB SPACING

THIS DRAWING IS A CONTROLLED DOCUMENT.		DWN	BSV	22JUL04	Tyco Electronics Corporation Harisburg, Pa 17105-3808	
DIMENSIONS: INCHES		CHK	-	APVD	MSS	NAME DPU*DS SERIES SWITCH
TOLERANCES UNLESS OTHERWISE SPECIFIED:		APVD	-	PRODUCT SPEC	-	
0 PLC ± -		APVD	-	APPLICATION SPEC	-	SIZE
1 PLC ± -		APVD	-	FINISH	-	CAGE CODE
2 PLC ± -		APVD	-	WEIGHT	-	DRAWING NO
3 PLC ± .012		APVD	-	CUSTOMER DRAWING	-	RESTRICTED TO
4 PLC ± -		APVD	-	SCALE	4:1	SHEET 1 OF 1
ANGLES ± 1°		APVD	-	REV	A	