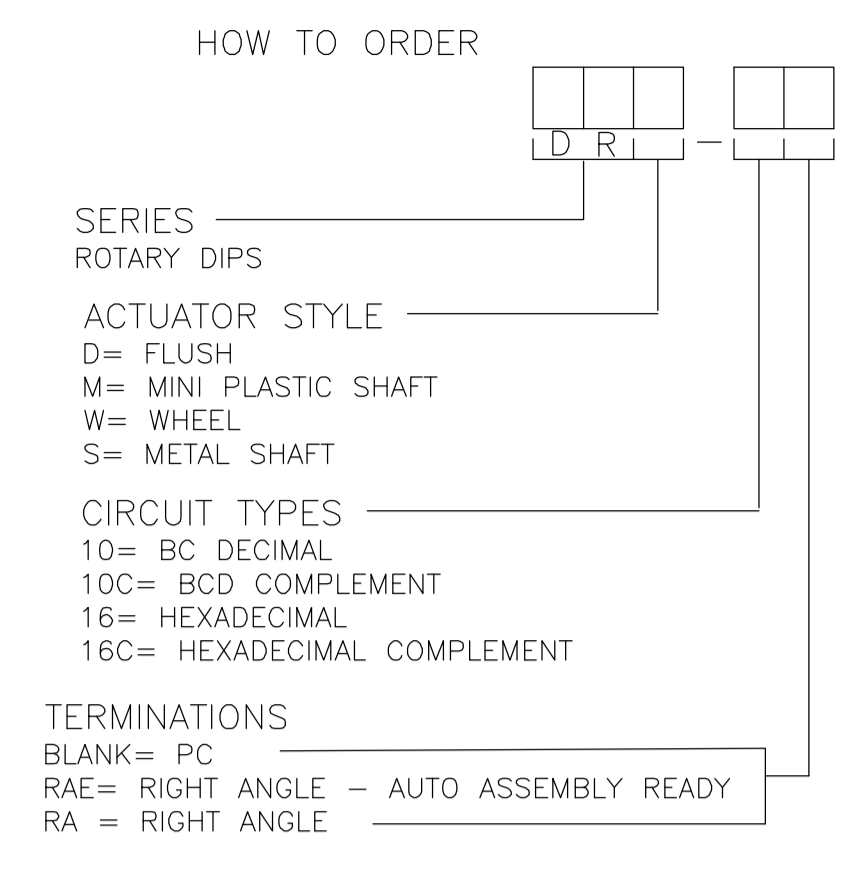


DRD RIGHT ANGLE
PC MOUNT



SPECIFICATIONS:

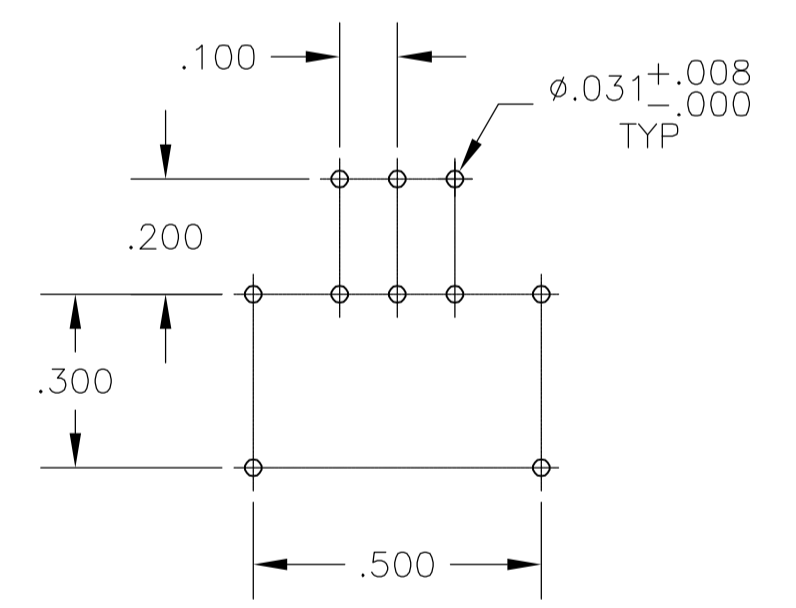
MATERIAL:
 FRAME & CASE- PPS UL94V-0, BLACK
 ROTOR, PA6T UL94V-0, COLOR SEE P/N TABLE
 FIXED CONTACT/TERMINAL- COPPER ALLOY, GOLD FLASH OVER NICKEL PLATE
 MOVING CONTACT- COPPER ALLOY, GOLD FLASH OVER NICKEL PLATE
 BALL SUPPORT PLATE- COPPER ALLOY
 BALL- STAINLESS STEEL
 DETENT SPRING- STAINLESS STEEL
 BUSHING (DRS)- ZINC DIE CAST
 SHAFT (DRS)- COPPER ALLOY- NICKEL PLATE

ELECTRICAL:
 CONTACT RATING- 0.4VA@ 20V DC OR PEAK AC
 INITIAL CONTACT RESISTANCE- 50 MILLIOHMS MAX
 INSULATION RESISTANCE- 1,000 MEGOHMS@100V DC
 DIELECTRIC STRENGTH- 300V AC
 LIFE EXPECTANCY- 10,000 ROTATIONS

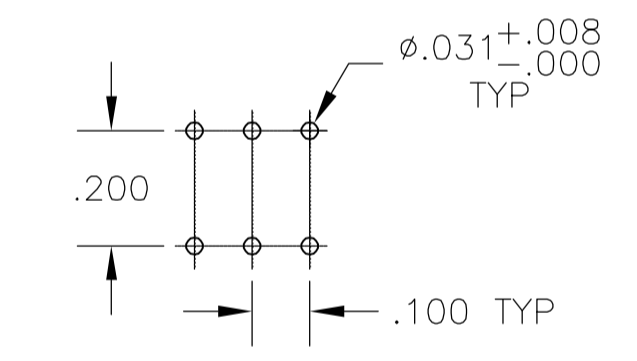
MECHANICAL:
 OPERATING FORCE- 6 OZ.-IN. (NOMINAL)

ENVIRONMENTAL:
 OPERATING TEMPERATURE- -30°C TO +85°C
 STORAGE TEMPERATURE- -45°C TO +100°C
 RESISTANCE TO SOLDER HEAT-PER 109-202, COND B (THRU-HOLE)
 SOLDERABILITY-PER JIS C 0050 & JIS C 0053

- NOTES:**
- ALL MATERIALS AND FINISHES SHALL COMPLY WITH EU DIRECTIVE 2002/95/EC OF 27JAN2003 (ROHS)
 - COMMON TERMINALS ARE CONNECTED INTERNALLY, EXCEPT ON HYBRID VERSIONS.
 - RED ROTOR WITH WHITE PRINTING ON TOP AND SIDE OF SWITCH. "S" STYLES HAVE NOT PRINTING ON TOP.
 - BLACK ROTOR WITH WHITE PRINTING ON TOP AND SIDE OF SWITCH. "S" STYLES HAVE NO PRINTING ON TOP.
 - ORANGE ROTOR WITH WHITE PRINTING ON TOP AND SIDE OF SWITCH "S" STYLES HAVE NO PRINTING ON TOP.
 - WHITE ROTOR WITH WHITE PRINTING ON TOP AND SIDE OF SWITCH "S" STYLE HAVE NO PRINTING ON TOP.



"S" STYLE



MINI SHAFT
FLUSH
WHEEL

PRINTED CIRCUIT BOARD LAYOUTS

BLACK	DRW16RA04	1-1825008-6
WHITE	DRW16CRA04	1-1825008-5
RED	DRW10RA04	1-1825008-4
ORANGE	DRW10CRA04	1-1825008-3
N/A	DRS16RA04	1-1825008-2
N/A	DRS16CRA04	1-1825008-1
N/A	DRS10RA04	1-1825008-0
N/A	DRS10CRA04	1825008-9
BLACK	DRM16RA04	1825008-8
WHITE	DRM16CRA04	1825008-7
RED	DRM10RA04	1825008-6
ORANGE	DRM10CRA04	1825008-5
BLACK	DRD16RAE04	1825008-4
WHITE	DRD16CRA04	1825008-3
RED	DRD10RAE04	1825008-2
ORANGE	DRD10CRA04	1825008-1
ROTOR COLOR	T&B P/N	TYCO P/N

THIS DRAWING IS A CONTROLLED DOCUMENT.

DIMENSIONS: INCHES	TOLERANCES UNLESS OTHERWISE SPECIFIED:	0 PLC ± -	1 PLC ± -	2 PLC ± -	3 PLC ± .010	4 PLC ± -	ANGLES ± ± 1'
MATERIAL	FINISH	WEIGHT	SIZE	CAGE CODE	DRAWING NO	RESTRICTED TO	
-	-	-	A1	00779	1825008	-	

APPROVED: M.S. SARVER

DATE: 17MAY2005

BY: B.S. VISWESWARA

CHK: M.S. SARVER

NAME: M.S. SARVER

PRODUCT SPEC: -

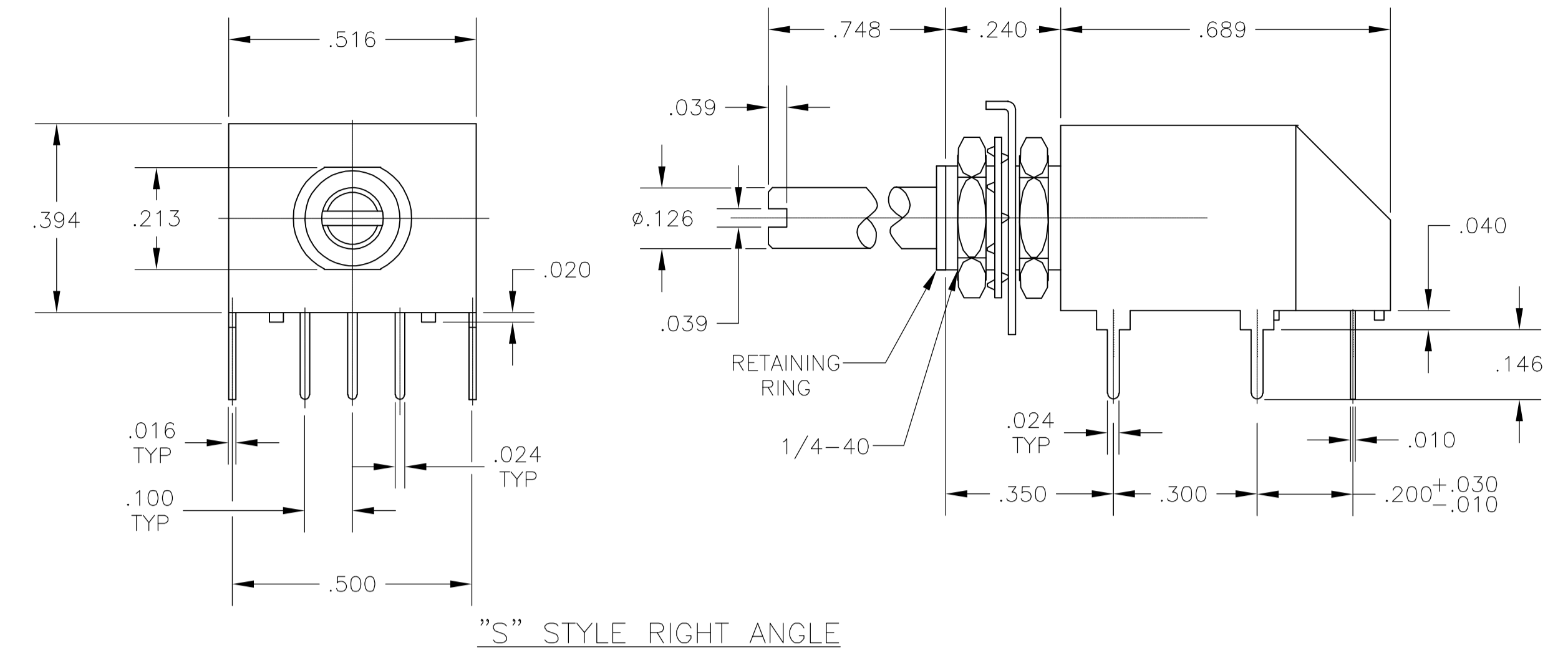
APPLICATION SPEC: -

TYCO Electronics

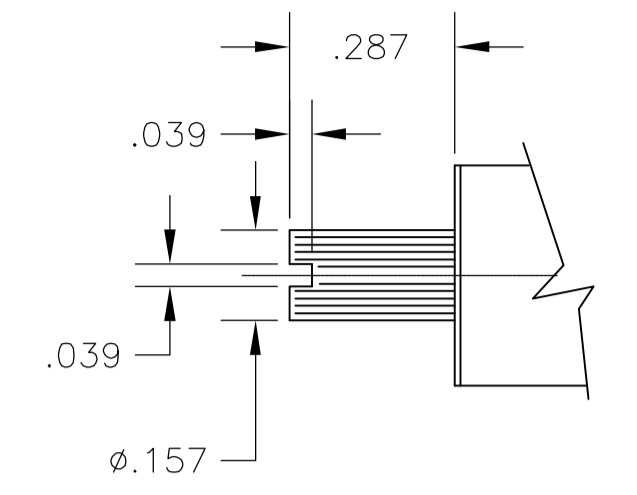
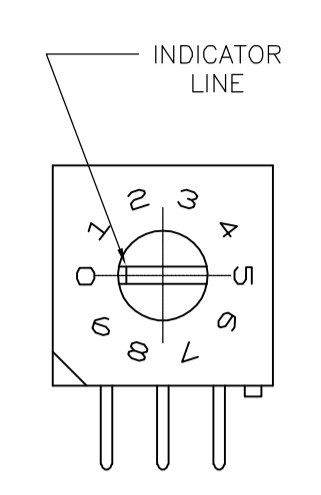
Tyco Electronics Corporation
Harrisburg, Pa 17105-3608

DR***RA SERIES ROTARY DIP SWITCH

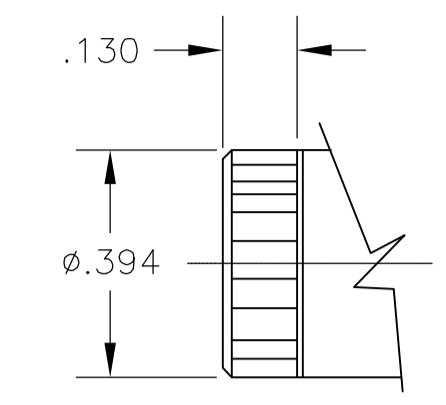
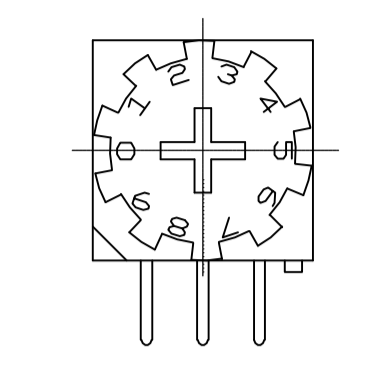
SCALE: 4:1 SHEET 1 OF 2 REV A1



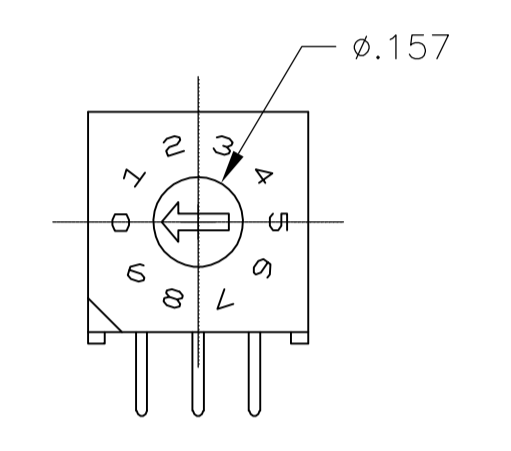
"S" STYLE RIGHT ANGLE



MINI SHAFT
'M' STYLE



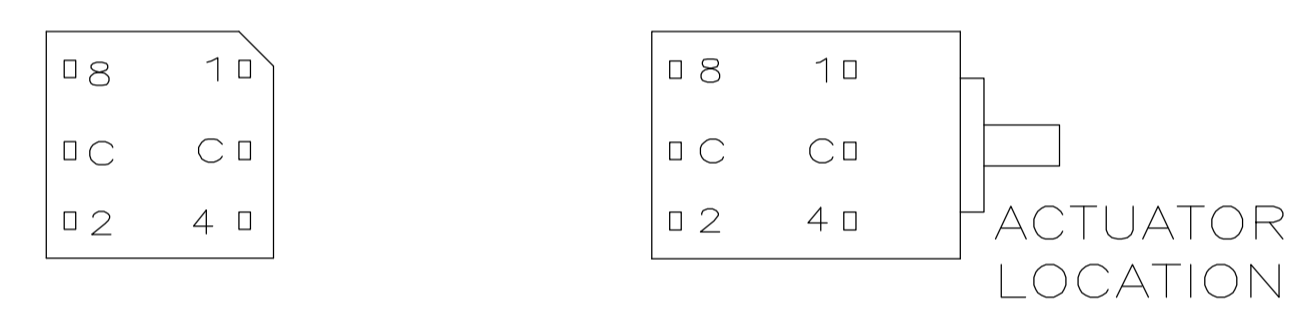
WHEEL
'W' STYLE



'D' STYLE

ACTUATORS
SCALE: 3:1

TERMINAL IDENTIFICATION FOR DR SERIES ONLY
(VIEWED FROM BOTTOM OF SWITCH)



10-POSITION, BCD SEE NOTE 3

POS	0	1	2	3	4	5	6	7	8	9
C	X	X	X	X	X	X	X	X	X	X
1		X		X		X		X		X
2			X	X			X	X		
4					X	X	X	X		
8									X	X

16-POSITION, HEXADECIMAL SEE NOTE 4

POS	0	1	2	3	4	5	6	7	8	9	A	B	C	D	E	F
C	X	X	X	X	X	X	X	X	X	X	X	X	X	X	X	X
1		X		X		X		X		X		X		X		X
2			X	X			X	X			X	X			X	X
4					X	X	X	X					X	X	X	X
8									X	X	X	X	X	X	X	X

10 POSITION, BCD COMPLEMENT SEE NOTE 5

POS	0	1	2	3	4	5	6	7	8	9
C̄	X	X	X	X	X	X	X	X	X	X
1̄	X		X		X		X		X	
2̄	X	X			X	X			X	X
4̄	X	X	X	X					X	X
8̄	X	X	X	X	X	X	X	X		

16-POSITION, HEXADECIMAL COMPLEMENT SEE NOTE 6

POS	0	1	2	3	4	5	6	7	8	9	A	B	C	D	E	F
C̄	X	X	X	X	X	X	X	X	X	X	X	X	X	X	X	X
1̄	X		X		X		X		X		X		X		X	
2̄	X	X			X	X			X	X			X	X		
4̄	X	X	X	X					X	X	X	X				
8̄	X	X	X	X	X	X	X	X								

THIS DRAWING IS A CONTROLLED DOCUMENT.

DIMENSIONS: INCHES	TOLERANCES UNLESS OTHERWISE SPECIFIED:	DIN 9137 S.VISWESWARA	17MAY2005	tyco Electronics	Tyco Electronics Corporation Harrisburg, Pa 17105-3608
	0 PLC ± -	CHK M.S.SARVER	APVD	NAME	DR***RA SERIES ROTARY DIP SWITCH
	1 PLC ± -	PRODUCT SPEC		SIZE	A1
	2 PLC ± -	APPLICATION SPEC		CAGE CODE	00779
	3 PLC ± .010	RESTRICTED TO		DRAWING NO	1825008
	4 PLC ± -			WEIGHT	
	ANGLES ± 1'			CUSTOMER DRAWING	
MATERIAL	FINISH			SCALE	4:1
				SHEET	2 OF 2
				REV	A1