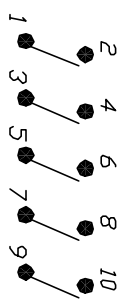
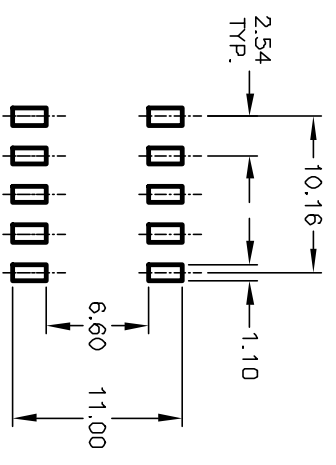
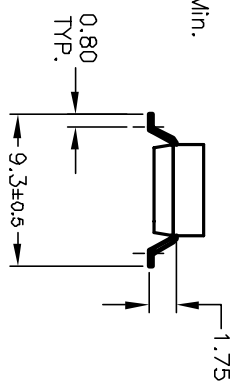
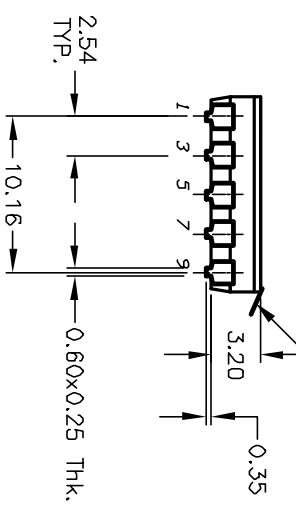


Pos. 1 Designate
Pin #1 Location

PEELABLE POLYIMIDE
TAPE SEAL



CIRCUIT 5 POSITION

NOTES:

1. ALL DIMENSIONS IN MM
2. GENERAL TOLERANCE: X.X=±0.4
X.XX=±0.25
3. TERM. NOS. FOR REFERENCE ONLY.
4. CONTACT RATINGS: 25mA @24VDC.
5. CONTACT MATERIAL:
CONTACTS: BRASS w/Gold Plate
TERMINALS: BRASS w/GOLD Plate
6. PACKAGED: DISPENSING TUBES
WITH ALL POLES IN THE "OFF" POSITION.
7. TAPE SEAL FOR FLUX WASH.
8. ▲ DESIGNATE MAJOR:

RECOMMENDED P.C.B. LAYOUT

E-SWITCH®

TITLE		SCALE		DATE		DR		DWG		REV	
KAJ05 TG GT		2:1		7/1/02		CJB		W825325		A	
LDW PROFILE W/TAPE SEAL											
DESCRIPTION		DATE		CHKD							
7/1/02		7/1/02		CJB							
REV.		ECN No.		RELEASED FOR PRODUCTION		THE INFORMATION CONTAINED IN THIS DOCUMENT IS PROPRIETARY TO E-SWITCH AND IS NOT TO BE COPIED OR TRANSFERRED					
A		12277									