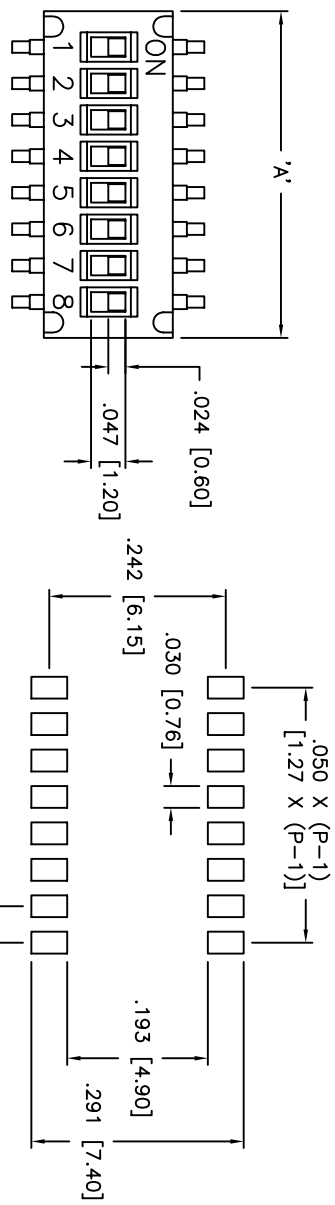
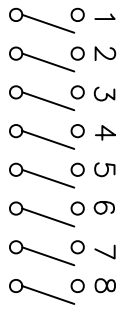
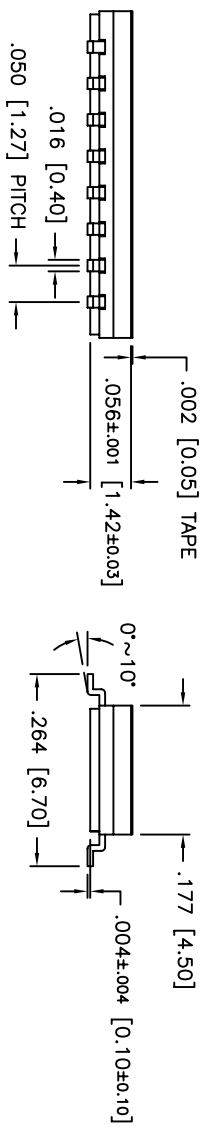


THIS DOCUMENT IS THE PROPERTY OF APDM COMPONENTS AND SHALL NOT BE COPIED, REPRODUCED, DISCLOSED OR USED AS THE BASIS FOR MANUFACTURING OR SALE WITHOUT PERMISSION OF A DULY AUTHORIZED REPRESENTATIVE OF APDM COMPONENTS INC.



P.C. LAYOUT  
UNLESS OTHERWISE SPECIFIED  
P.C. TOLERANCES ARE ±.002 [0.05]



CIRCUIT DIAGRAM

MODEL NUMBER	NO. OF POSITIONS	DIMENSION 'A'
NHDS02	2	.148 [3.77]
NHDS04	4	.248 [6.31]
NHDS06	6	.348 [8.85]
NHDS08	8	.448 [11.39]
NHDS10	10	.548 [13.93]

PROD. NO.: NHDS\*\*\*\*\*  
 PROD. SERIES: \_\_\_\_\_  
 NUMBER OF POSITIONS: \_\_\_\_\_  
 PAKAGING: □ = TUBE  
 T/R = TAPE & REEL  
 SEALING: □ = REGULAR  
 T = TOP TAPE SEAL  
 PLATING: □ = 3u" GOLD MIN  
 A = 10u" GOLD MIN.  
 IN ON POSITION □  
 IN OFF POSITION F

DESCRIPTION: SURFACE MOUNT DIP SWITCH  
 WITH TAPE SEAL OPTION.  
 SPECIFICATIONS:

- SWITCHING RATING: 25mA, 24VDC.
- NON-SWITCHING RATING: 100mA, 50VDC.
- CONTACT RESISTANCE: 100 MOHMS MAX
- DIELECTRIC STRENGTH: 300VAC for 1 MINUTE.
- INSULATION RESISTANCE: 100MOHMS MIN. AT 500VDC
- CAPACITANCE: 5PF MAX.
- OPERATING FORCE: 500 gf MAX.
- STROKE: 0.6mm
- OPERATING TEMP: -40° to 85° C.
- STORAGE TEMP: -40° to 85° C.
- ELECTRICAL LIFE: 1,000 CYCLES.
- MECHANICAL LIFE: 1,000 OPERATIONS.
- CIRCUIT: 1 POLE 1 THROW.
- VIBRATION TEST: PASSES METHOD 201A. MIL-STD-202F.
- SHOCK TEST: 50g PER METHOD 213B. MIL-STD-202F.

MATERIALS:  
 BASE & COVER: UL94V-0 NYLON THERMOPLASTIC  
 COLOR, BLACK  
 ACTUATOR: LCP THERMOPLASTIC.  
 COLOR, WHITE  
 CONTACT: COPPER ALLOY WITH GOLD PLATING OVER NICKEL  
 TERMINAL: BRASS WITH GOLD PLATING  
 TAPE: KAPTON  
 SOLDERING:  
 VAPOR PHASE & IR REFLOW CAN BE APPLIED.  
 240C MAX.

DATE	SYM	REVISION RECORD	DWNL	CK
10/05	A	ECO# 484	CD	

<b>QA INSPECT:</b> DIMENSIONS CRITICAL TOLERANCES (DIM) .XX±.02[0.05] .XXX±.008[0.20] .XXXX±.0008[0.02] ANGLE = 30.5°		63 Neck Rd. Henderson, NV 89030 Phone: 702-372-5554 Fax: 702-372-5554		DRN: PJD BR: ORK
TITLE NHDS**	SHEET 1 OF 1	SIZE B	SCALE B:1	THIRD ANGLE PROJECTION 
DATE 12/28/04	DRAWING NO. B7627	DO NOT SCALE DIMENSIONS		
				REV A